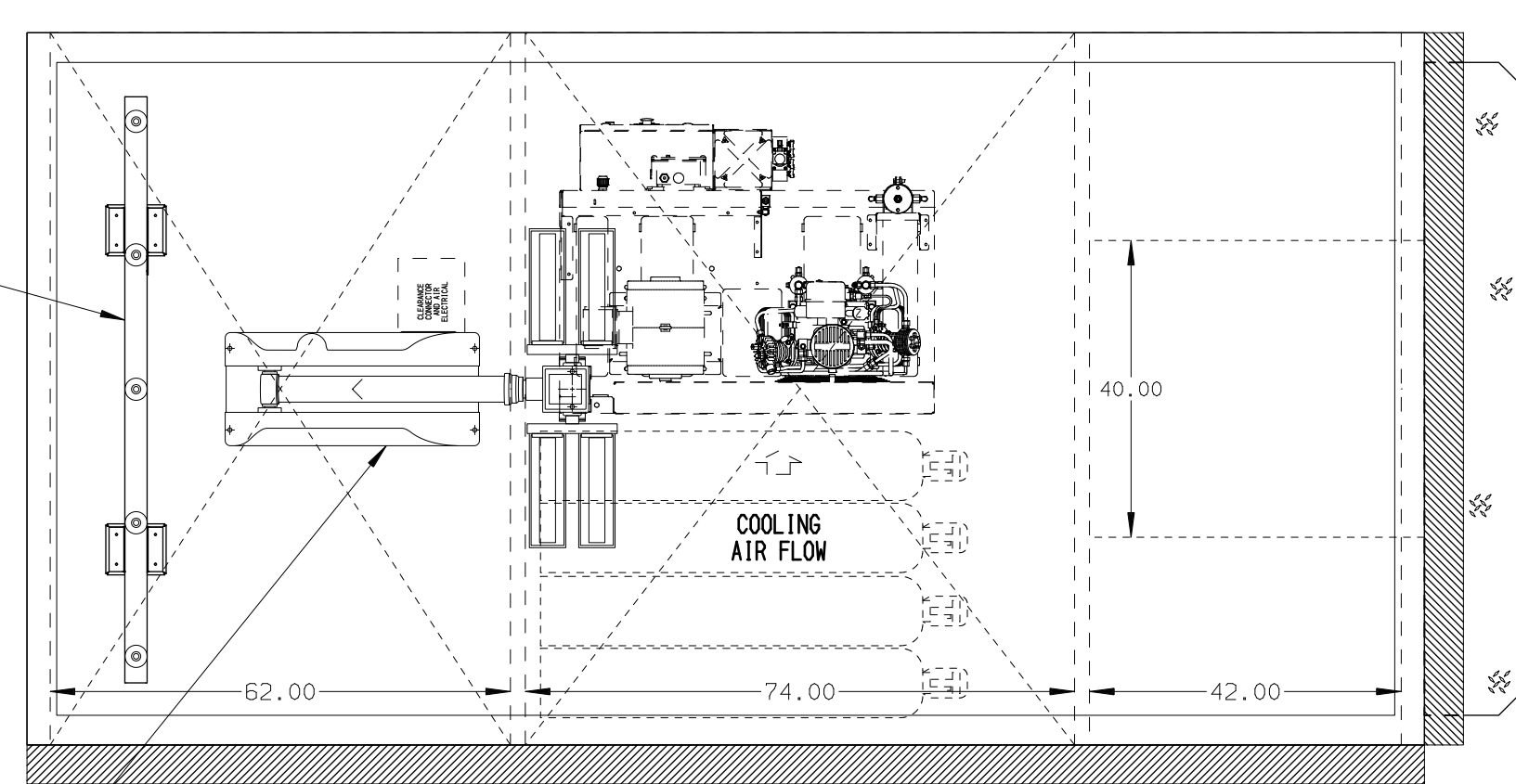
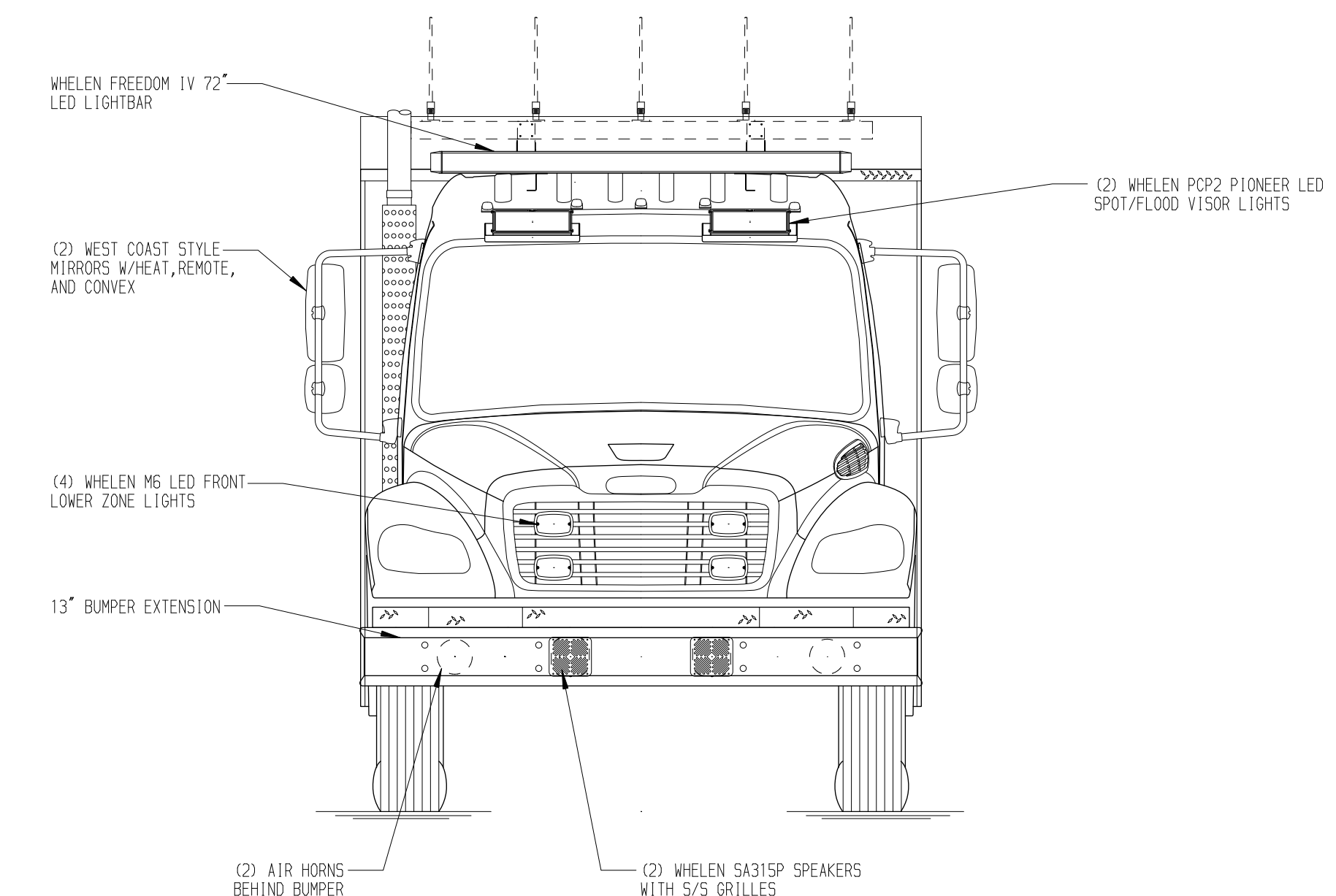
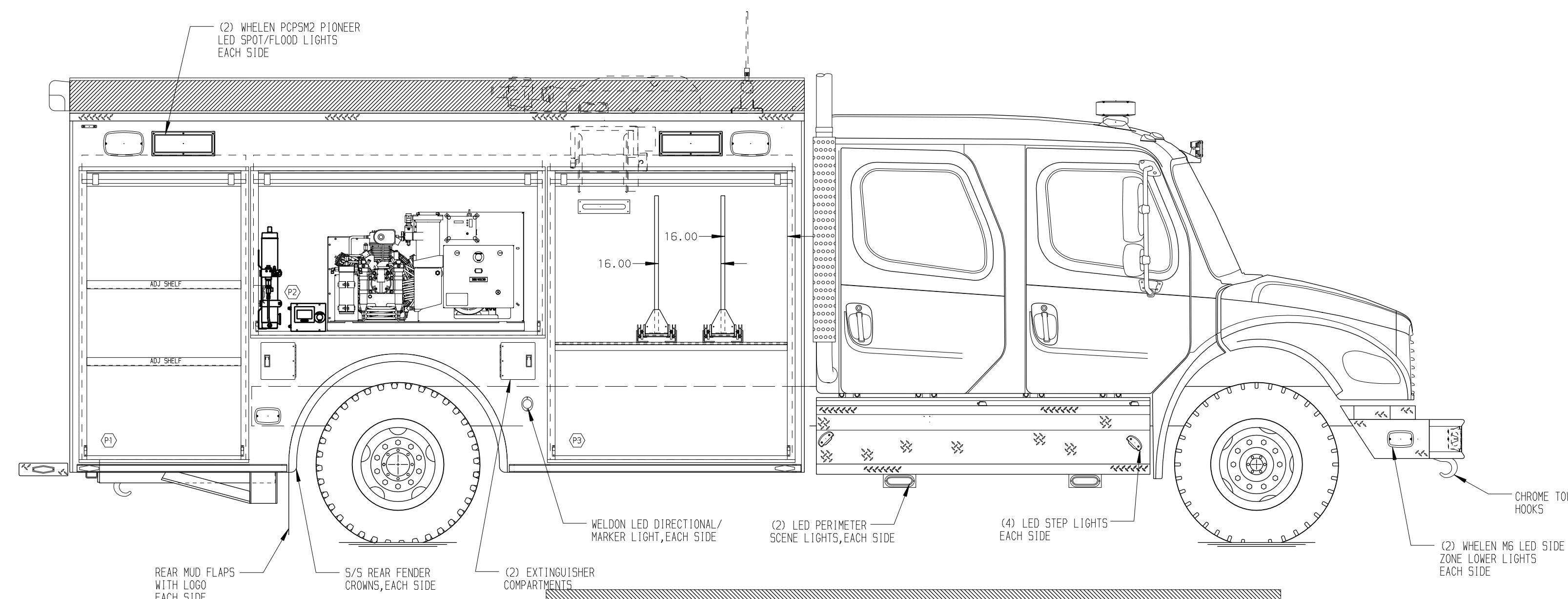


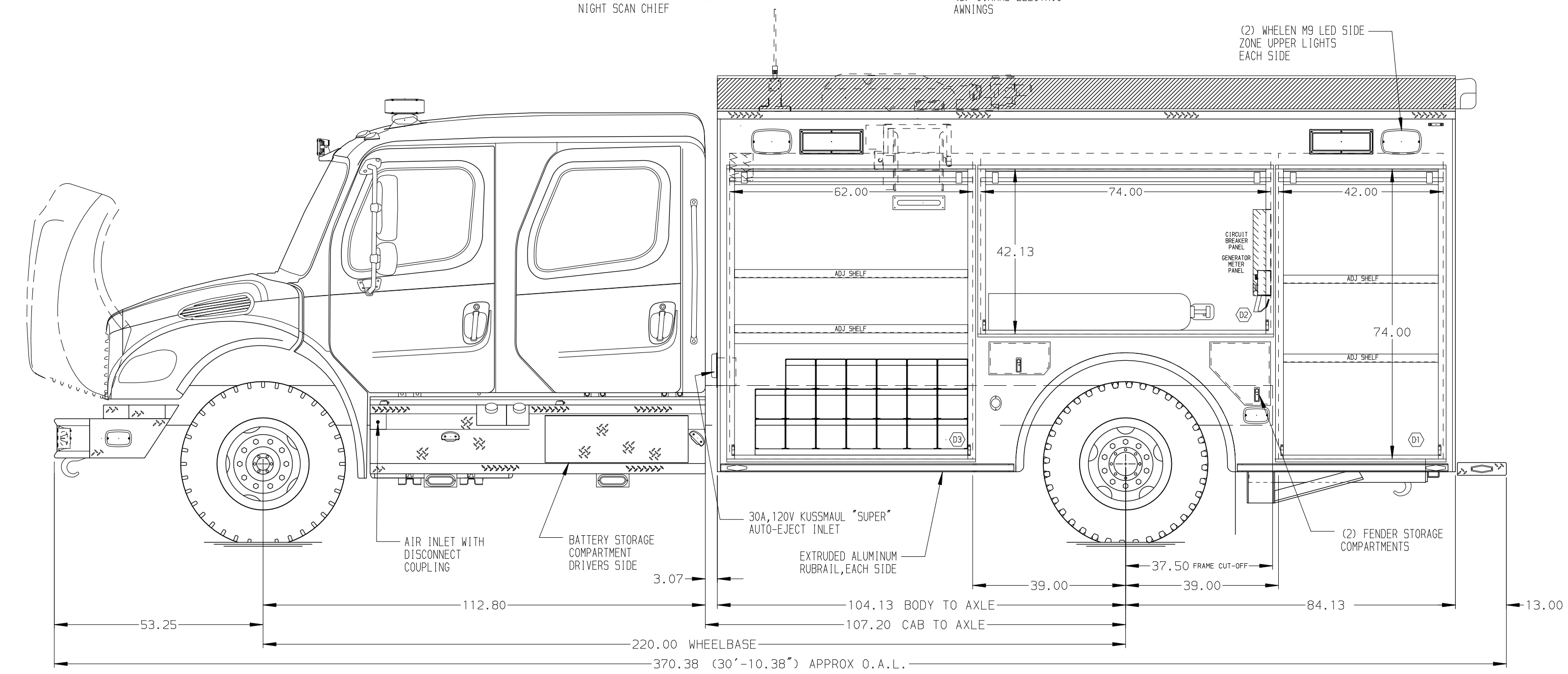
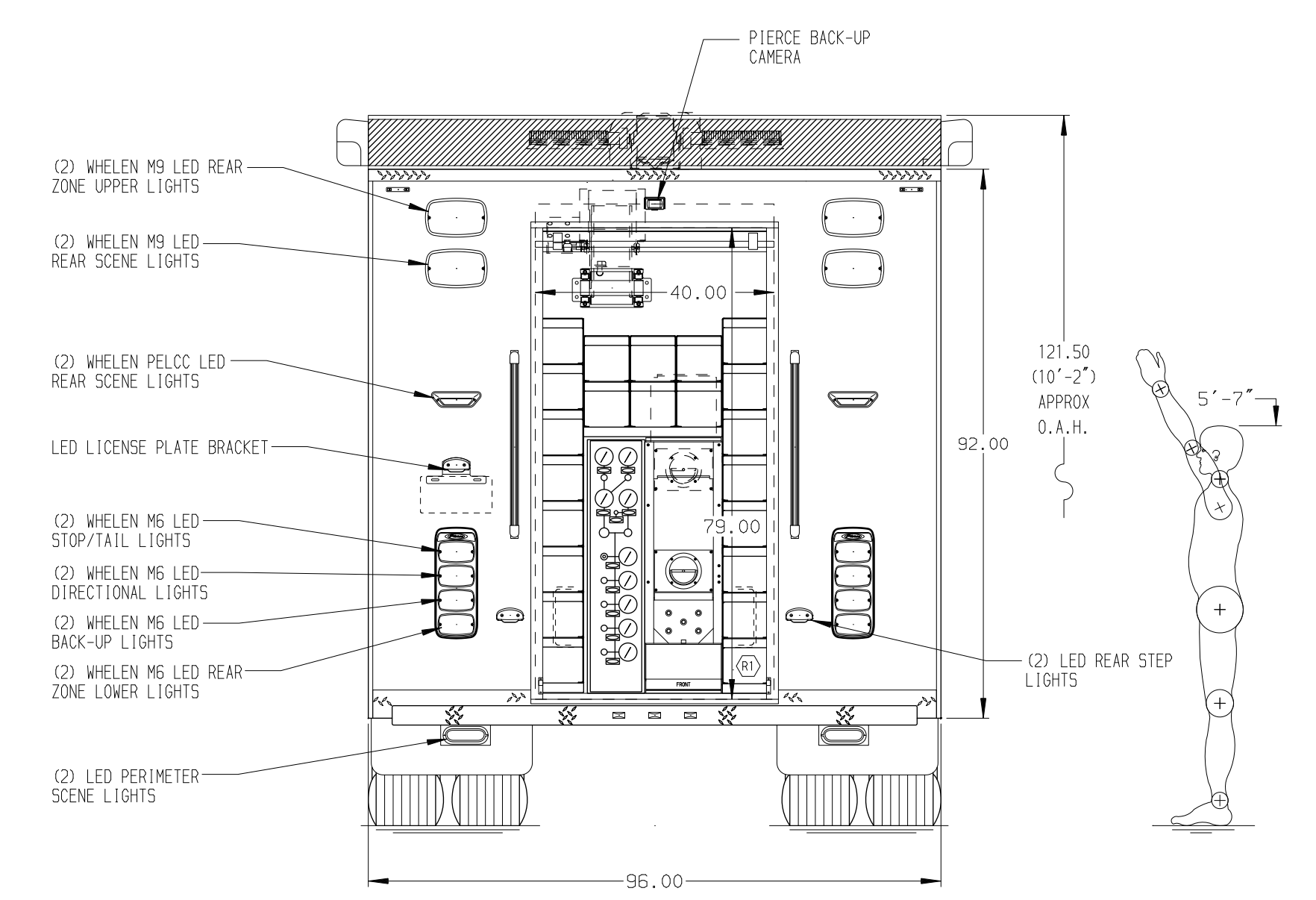
PASSENGER'S SIDE COMPARTMENTS CONTAIN THE FOLLOWING:

- COMPARTMENT P1 CONTAINS:
 - (2) STD DEPTH ADJ SHELVES
 -
 -
- COMPARTMENT P2 CONTAINS:
 - (1) BAUER 13CFM BREATHING AIR COMPRESSOR
 - COMPRESSOR CONTROL PANEL
 - BREATHING AIR PURIFIERS
 - (1) 20A, 120V DUPLEX RECEPTACLE
- COMPARTMENT P3 CONTAINS:
 - (1) HORIZONTAL FLOOR EXTENSION
 - (2) 42" DP SLIDE OUT TOOLBOARDS
 - (1) ELECTRIC CORD REEL WITH 200' OF 10/4 YELLOW CORD



- REAR COMPARTMENT CONTAINS THE FOLLOWING:**
- COMPARTMENT R1 CONTAINS:
 - (1) "SPACE SAVER" 2-BOTTLE FILL ENCLOSURE
 - (1) CASCADE SYSTEM CONTROL PANEL
 - (1) HIGH PRESSURE BREATHING AIR REEL W/150' OF HOSE
 - (1) RACK FOR 22 SCBA BOTTLES

- DRIVER'S SIDE COMPARTMENTS CONTAIN THE FOLLOWING:**
- COMPARTMENT D1 CONTAINS:
 - (2) STD DEPTH ADJ SHELVES
 -
- COMPARTMENT D2 CONTAINS:
 - (4) 6000 UN AIR STORAGE BOTTLES
 - (1) CIRCUIT BREAKER PANEL
 - (1) GENERATOR METER PANEL
 - (1) LIGHT TOWER CONTROLLER
 - (1) 15A, 120V 5-PLACE RECEPTACLE STRIP
- COMPARTMENT D3 CONTAINS:
 - (1) DUAL PRO CHARGER
 - (2) 42" DP ADJ SHELVES
 - (1) RACK FOR 20 SCBA BOTTLES
 - (1) ELECTRIC CORD REEL WITH 200' OF 10/4 YELLOW CORD



NOTE
 DIMENSIONS SHOWN ARE APPROXIMATE AND ARE SUBJECT TO MINOR DEVIATIONS AS MAY OCCUR OR BE NECESSARY IN CONSTRUCTION. MINOR DETAILS NOT SHOWN.

- NOTES:**
- BATTERY CHARGE INDICATOR LOCATED ON DRIVER'S SEAT RISER
 - STONE GUARDS ON FRONT OF BODY
 - TURTLE TILE MATTING ON COMPARTMENT FLOORS AND 2 ADJUSTABLE SHELVES
 - PULL STRAPS ON ALL BODY ROLL-UP DOORS
 - S/5 GUARD ON ROLL-UP DOOR IN COMPARTMENT P1
 - PIERCE DUAL LED LIGHTS IN ALL BODY COMPARTMENTS
 - LIMA 40KW THREE PHASE PTO DRIVEN GENERATOR LOCATED BETWEEN THE FRAME RAILS

CLEAR DOOR WIDTH KEY		REV	DATE	BY	CH	CHASSIS DATA
AMDR ROLL UP DOORS:	-1 7/8"	13SEP16	DHE	CDK	MAKE	TITLE
CORTITE ROLL UP DOORS:	-2 3/4"	18AUG16	AZU	CDK	MODEL	FOR
PIERCE DOUBLE LAP DOORS:	-4 1/4"	10JUN16	DHE	CDK	FREIGHTLINER	DWG NO.
PIERCE LIFT-UP LAP DOORS:	-3 1/2"	03MAY16	DHE	AZU	M2-106	
(EX: 60" F-F - 1 7/8" = 58 1/8" CLEAR)						
(F-F) = FRAME TO FRAME						

		JOB NO.	29880
		SCALE	DATE
MANUFACTURING INC.		DRAWN BY	15APR16
ENCORE RESCUE VEHICLE 62.74.42		CHECKED BY	25APR16
CITY OF GRANBURY GRANBURY, TX		SHEET SIZE	SHEET NO.
RUSSELL MABRA		D	1 OF 1
DWG NO. 29880AD			