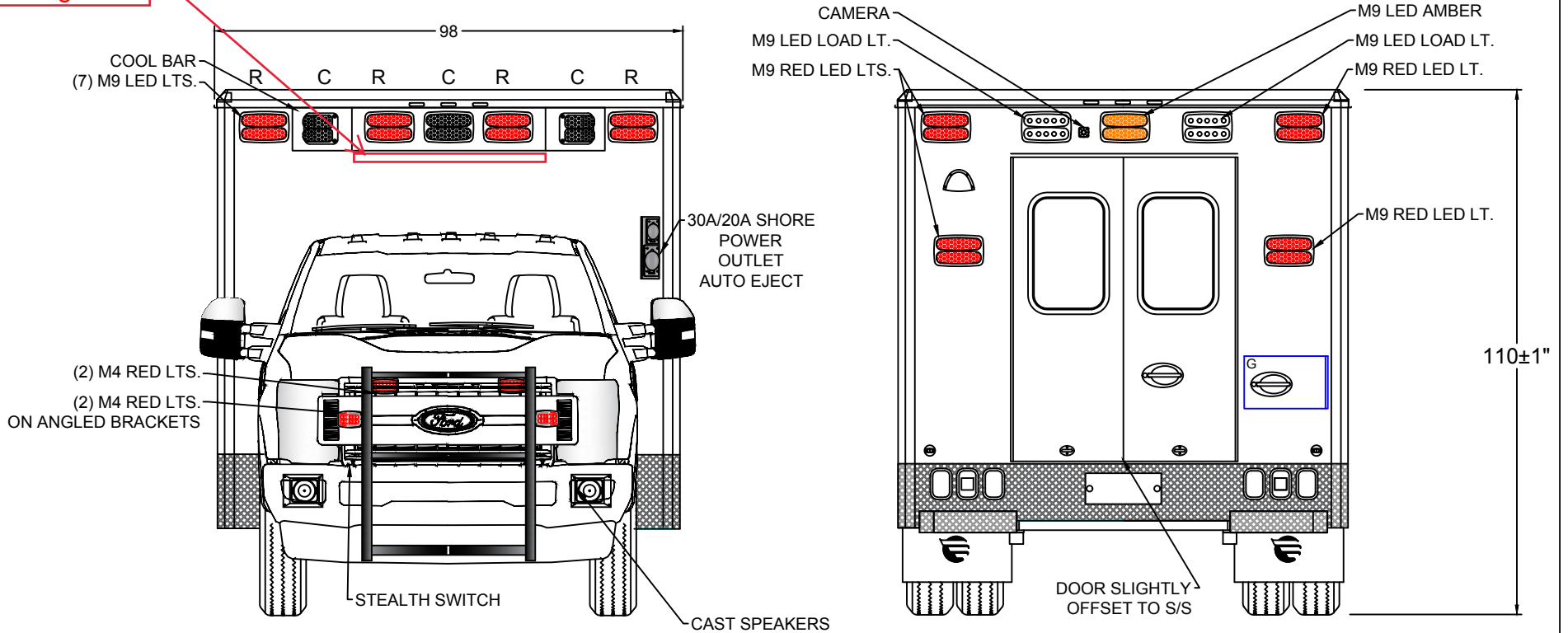


CA165037 SOUTHEAST VOLUNTEER FIRE DEPARTMENT 153 x 98 x 72

ALL WARNING LIGHTS TO HAVE CLEAR LENS

HI VIZ 35" light bar



EXTERIOR COMPARTMENT DIMENSIONS IN INCHES

INTERIOR DIMENSIONS				PASS THRU		INTERIOR DIMENSIONS				JAMB OPENING	
COMPT.	HEIGHT	WIDTH	DEPTH	HEIGHT	WIDTH	COMPT.	HEIGHT	WIDTH	DEPTH	HEIGHT	WIDTH
G	8.50	24.00	82.50	10.50	19.00						

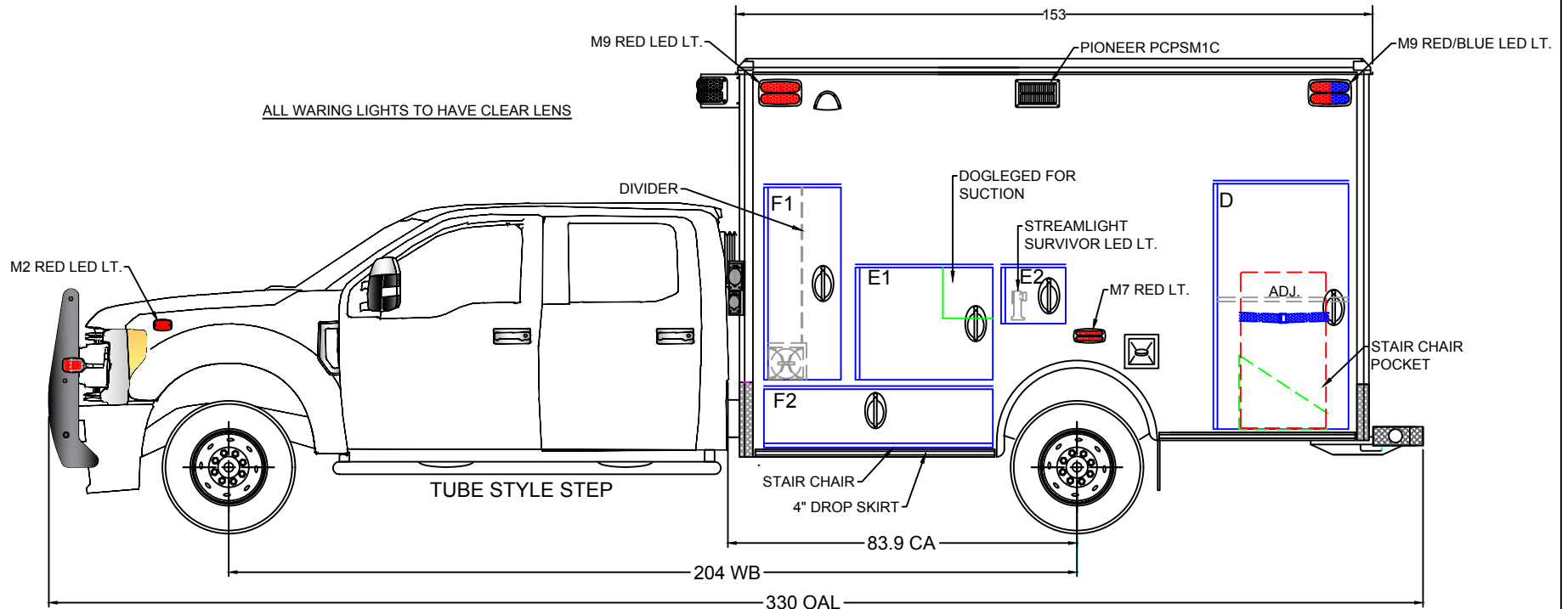


F450 TYPE I FORD 2019
FRONT / REAR
EXTERIOR VIEWS


BE ADVISED THAT THESE ARE PRELIMINARY LAYOUTS INTENDED TO ILLUSTRATE DESIGN INTENT AND DIMENSIONS ARE FOR REFERENCE ONLY PRIOR TO FINAL ENGINEERING

DATE:	11/20/18	SCALE:	
DWN BY:	AP	DWG NO:	1 / 9

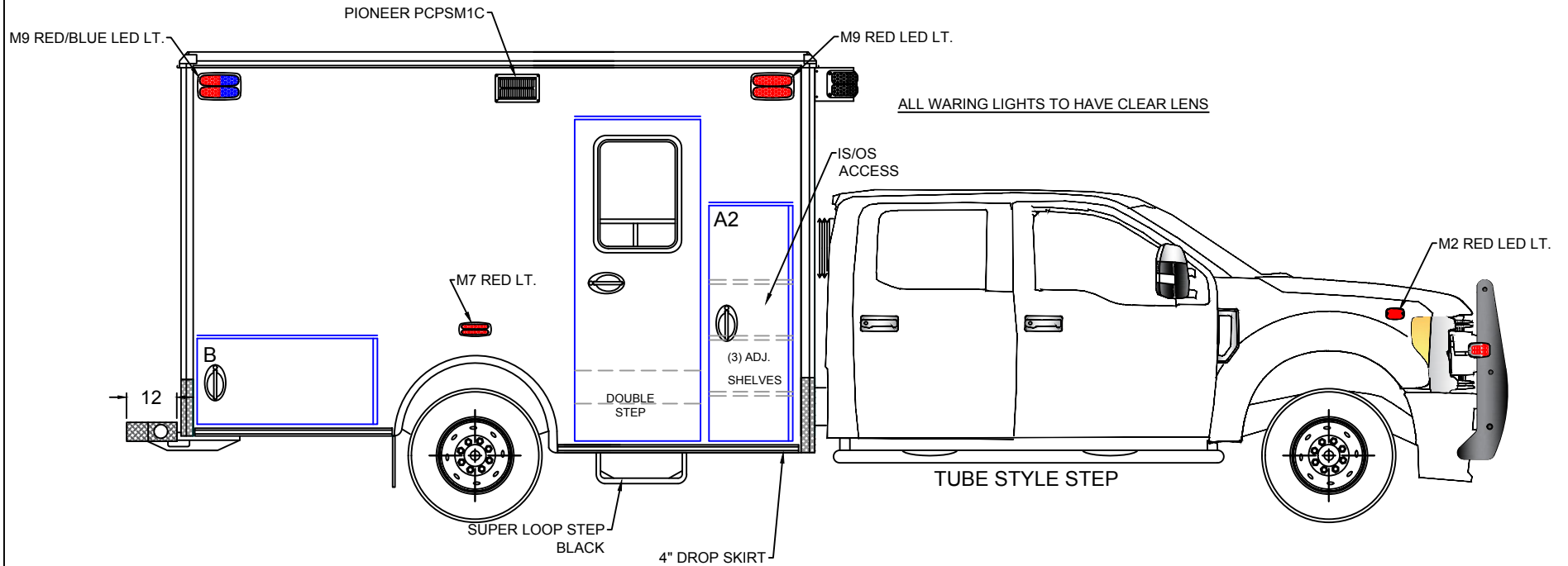
CA165037 SOUTHEAST VOLUNTEER FIRE DEPARTMENT 153 x 98 x 72



BE ADVISED THAT THESE ARE PRELIMINARY LAYOUTS INTENDED TO ILLUSTRATE DESIGN INTENT AND DIMENSIONS ARE FOR REFERENCE ONLY PRIOR TO FINAL ENGINEERING


EXTERIOR COMPARTMENT DIMENSIONS IN INCHES												 F450 TYPE I FORD 2019 LEFT EXT. VIEW	
INTERIOR DIMENSIONS				JAMB OPENING		INTERIOR DIMENSIONS				JAMB OPENING			
COMPT.	HEIGHT	WIDTH	DEPTH	HEIGHT	WIDTH	COMPT.	HEIGHT	WIDTH	DEPTH	HEIGHT	WIDTH		
F1	46.25	19.25	22.00	45.75	17.00	D	59.00	32.75	20.50	58.50	29.50		
F2	14.00	55.00	21.00	11.25	51.50								
E1	27.00	33.00	20.50	26.50	30.75								
E2	13.50	15.50	20.50	13.00	13.00								
										DATE	11/20/18	SCALE	
										DRAWN BY	AP	DWG NO	2 / 9

CA165037 SOUTHEAST VOLUNTEER FIRE DEPARTMENT 153 x 98 x 72



BE ADVISED THAT THESE ARE PRELIMINARY LAYOUTS INTENDED TO ILLUSTRATE DESIGN INTENT AND DIMENSIONS ARE FOR REFERENCE ONLY PRIOR TO FINAL ENGINEERING

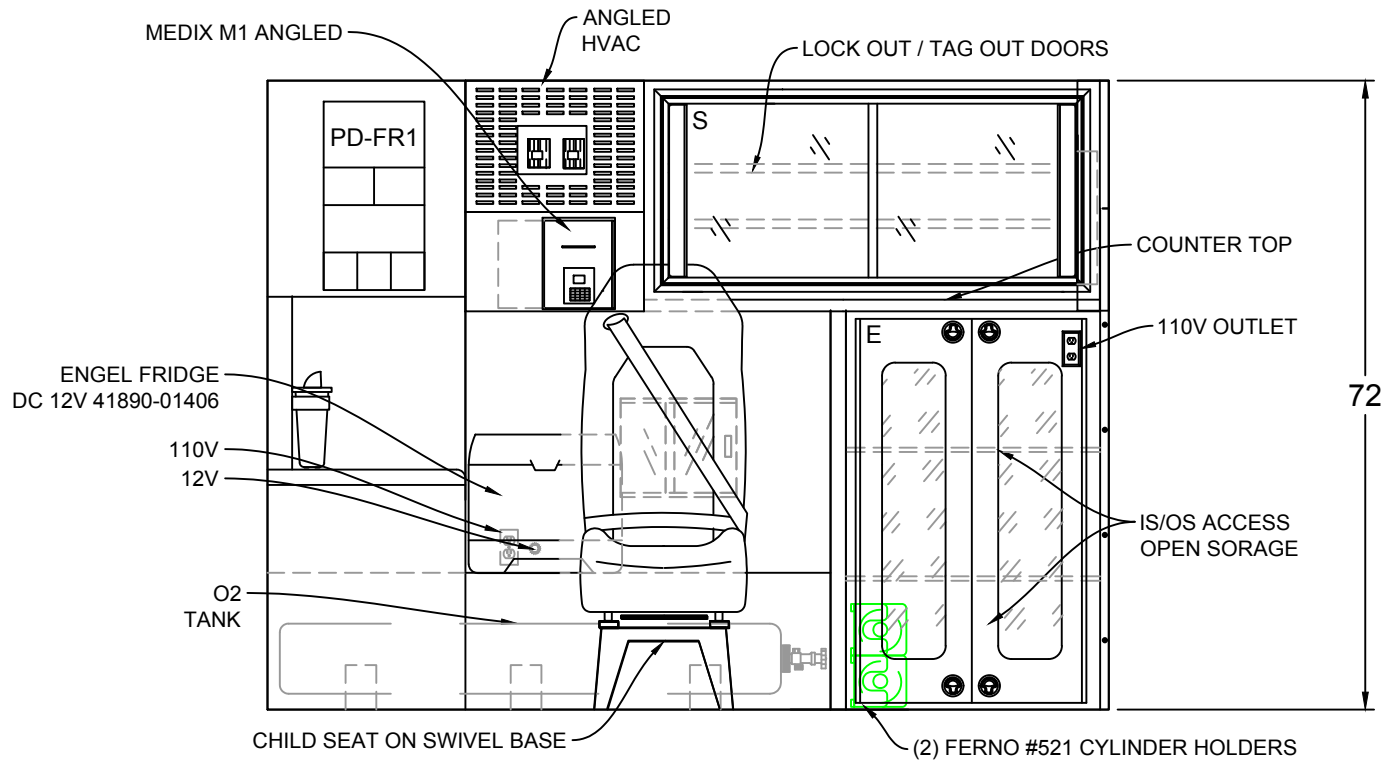
EXTERIOR COMPARTMENT DIMENSIONS IN INCHES											
INTERIOR DIMENSIONS				JAMB OPENING		INTERIOR DIMENSIONS				JAMB OPENING	
COMPT.	HEIGHT	WIDTH	DEPTH	HEIGHT	WIDTH	COMPT.	HEIGHT	WIDTH	DEPTH	HEIGHT	WIDTH
A	56.50	20.00	30.25	56.00	17.75						
B	20.50	43.00	22.00	19.75	39.50						




F450 TYPE I FORD 2019
RIGHT EXT. VIEW

DATE: 11/20/18 SCALE:
DRAWN BY: AP DWG NO: 3 / 9

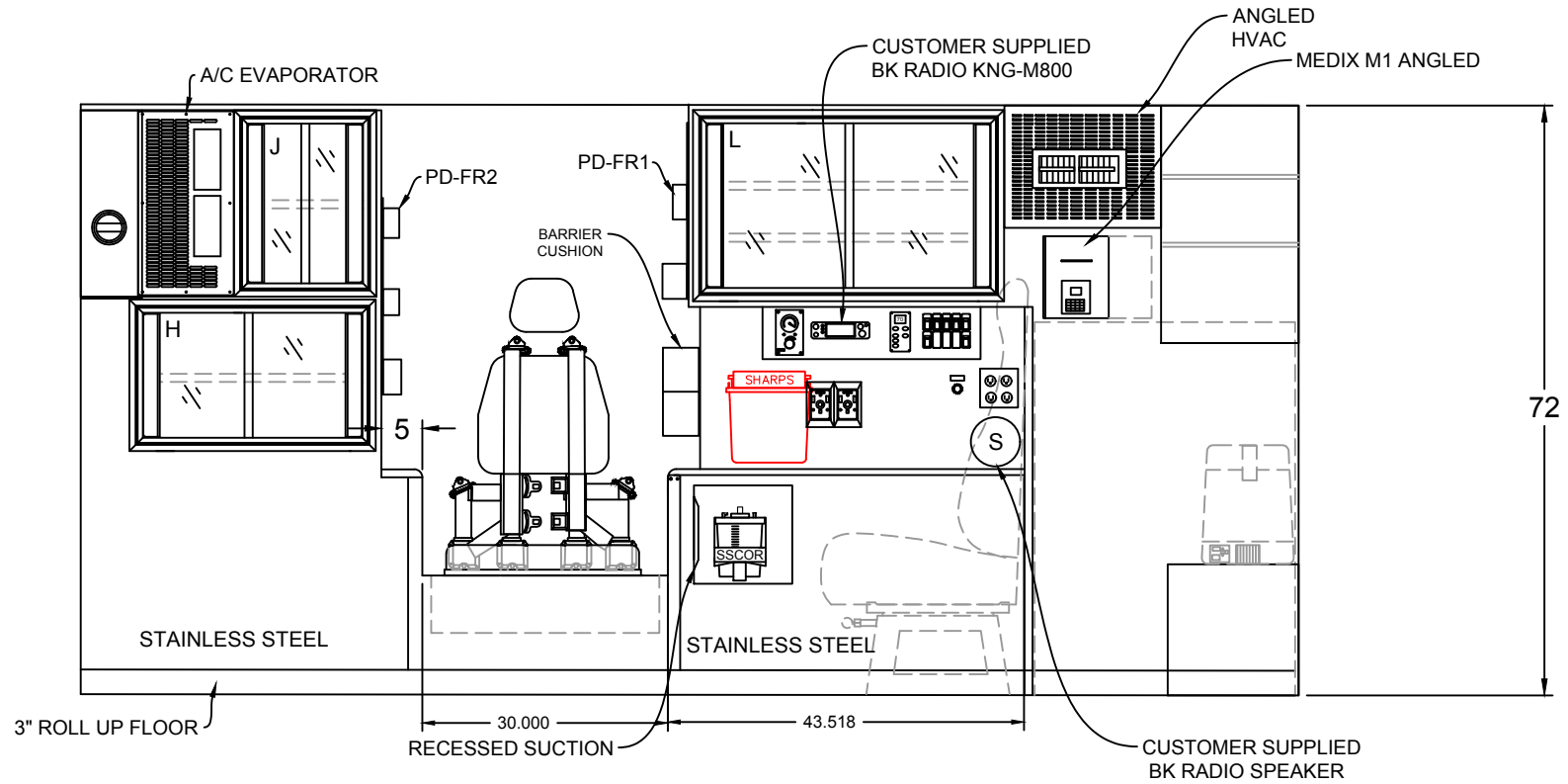
CA165037 SOUTHEAST VOLUNTEER FIRE DEPARTMENT 153 x 98 x 72



BE ADVISED THAT THESE ARE PRELIMINARY LAYOUTS INTENDED TO ILLUSTRATE DESIGN INTENT AND DIMENSIONS ARE FOR REFERENCE ONLY PRIOR TO FINAL ENGINEERING

INTERIOR CABINET DIMENSIONS IN INCHES									
CABINET	HEIGHT	WIDTH	DEPTH	CABINET	HEIGHT	WIDTH	DEPTH		
S	29.00	52.00	14.00					F450 TYPE I FORD 2019 BULKHEAD INTERIOR	
								DATE	SCALE
								11/20/18	
								DRAWN BY	DWG NO
								AP	4 / 9

CA165037 SOUTHEAST VOLUNTEER FIRE DEPARTMENT 153 x 98 x 72



INTERIOR CABINET DIMENSIONS IN INCHES

CABINET	HEIGHT	WIDTH	DEPTH		CABINET	HEIGHT	WIDTH	DEPTH	
J	22.00	16.00	20.50						
H	18.50	30.00	IS/OS						
L	22.00	38.00	20.50						



F450 TYPE I FORD 2019

LEFT INTERIOR

DATE: 11/20/18

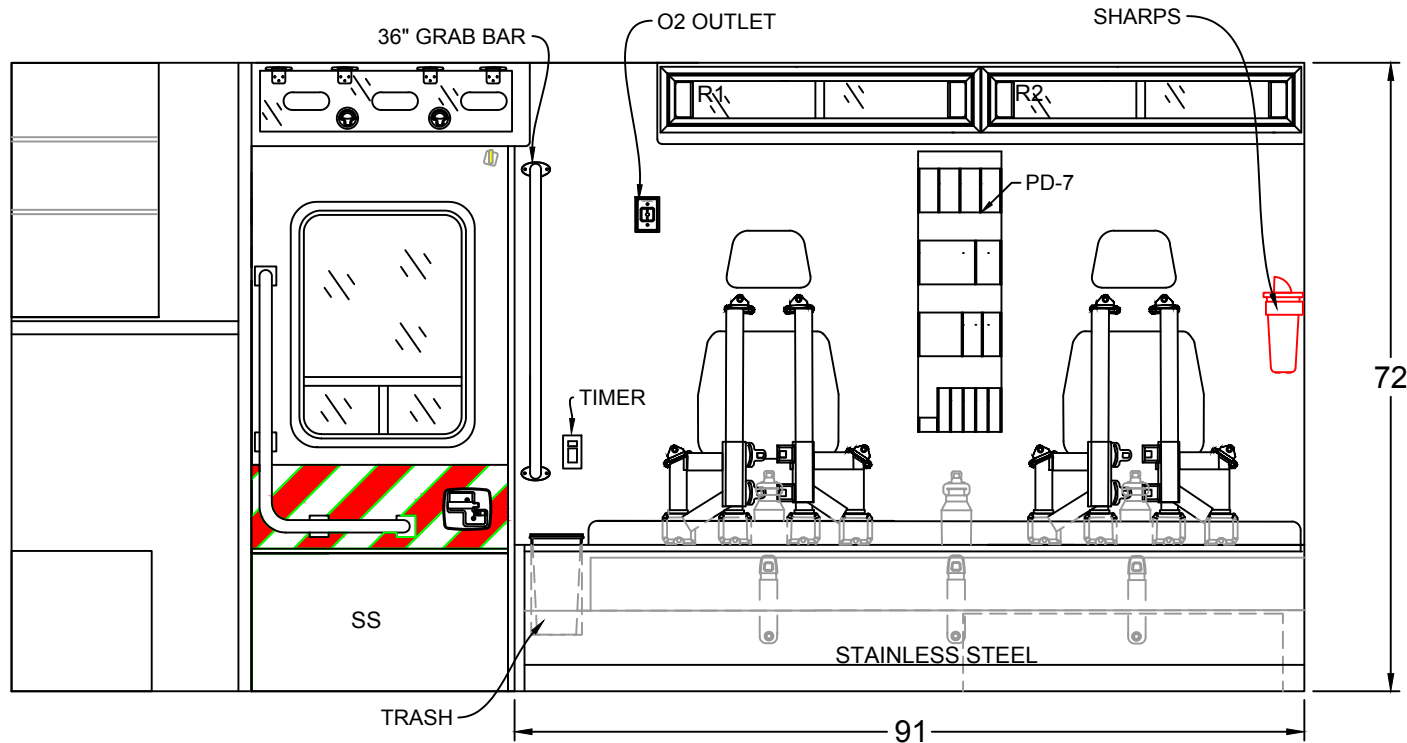
SCALE

DWN BY: AP

DWG NO: 5 / 9

BE ADVISED THAT THESE ARE PRELIMINARY LAYOUTS INTENDED TO ILLUSTRATE DESIGN INTENT AND DIMENSIONS ARE FOR REFERENCE ONLY PRIOR TO FINAL ENGINEERING

CA165037 SOUTHEAST VOLUNTEER FIRE DEPARTMENT 153 x 98 x 72



INTERIOR CABINET DIMENSIONS IN INCHES

COMPT.	HEIGHT	WIDTH	DEPTH		COMPT.	HEIGHT	WIDTH	DEPTH	
E	19.00	26.50	12.00						
R1	8.00	31.00	9.00						
R2	8.00	31.00	9.00						



F450 TYPE I FORD 2019
RIGHT INTERIOR

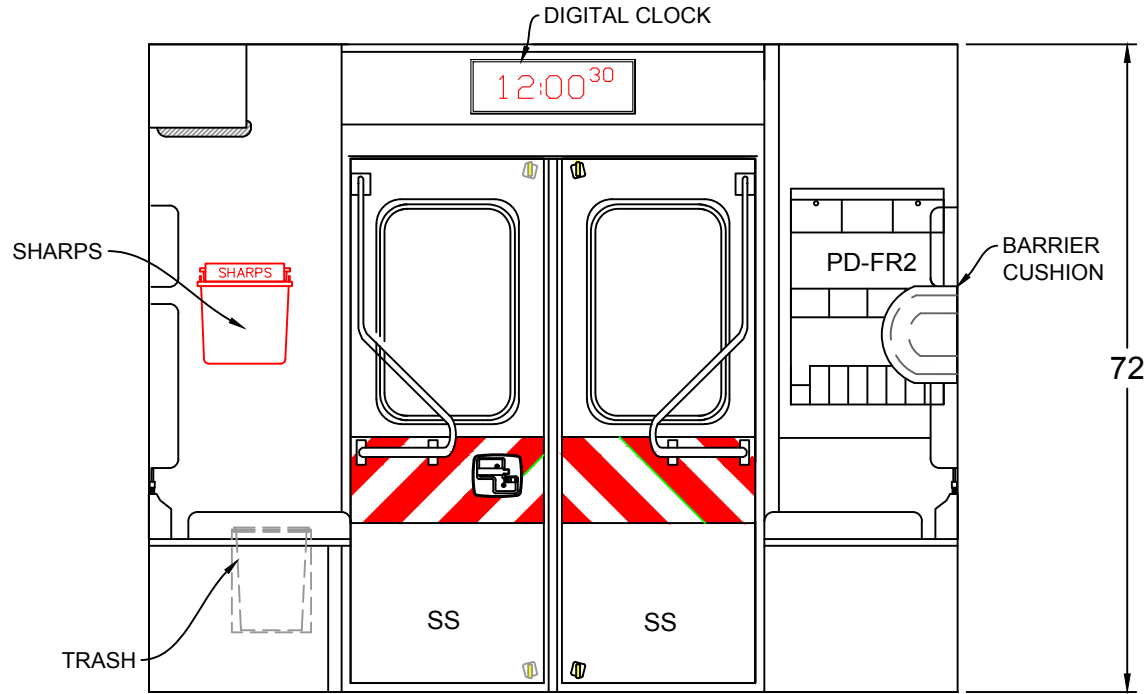
DATE:	11/20/18	SCALE:	
DWN BY:	AP	DWGS NO:	6 / 9

BE ADVISED THAT THESE ARE PRELIMINARY LAYOUTS INTENDED TO ILLUSTRATE DESIGN INTENT AND DIMENSIONS ARE FOR REFERENCE ONLY PRIOR TO FINAL ENGINEERING

CA165037

SOUTHEAST VOLUNTEER FIRE DEPARTMENT

153 x 98 x 72



INTERIOR CABINET DIMENSIONS IN INCHES

COMPT.	HEIGHT	WIDTH	DEPTH		COMPT.	HEIGHT	WIDTH	DEPTH	



F450 TYPE I FORD 2019
REAR BULKHEAD INTERIOR

DATE: 11/20/18 SCALE

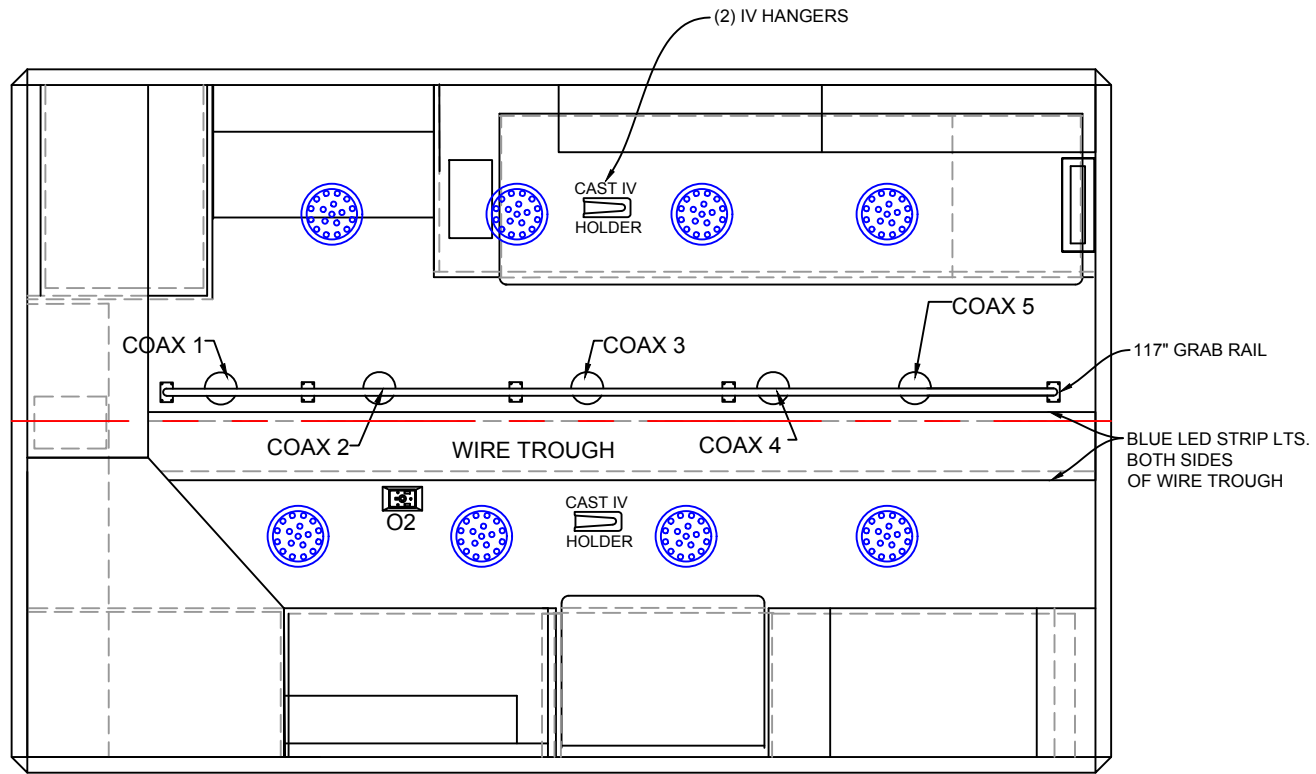
DWG BY: AP DWG NO: 7 / 9

BE ADVISED THAT THESE ARE PRELIMINARY LAYOUTS INTENDED TO ILLUSTRATE DESIGN INTENT AND DIMENSIONS ARE FOR REFERENCE ONLY PRIOR TO FINAL ENGINEERING

CA165037

SOUTHEAST VOLUNTEER FIRE DEPARTMENT

153 x 98 x 72



BE ADVISED THAT THESE ARE PRELIMINARY LAYOUTS INTENDED TO ILLUSTRATE DESIGN INTENT AND DIMENSIONS ARE FOR REFERENCE ONLY PRIOR TO FINAL ENGINEERING

INTERIOR CABINET DIMENSIONS IN INCHES							
CABINET	HEIGHT	WIDTH	DEPTH	CABINET	HEIGHT	WIDTH	DEPTH



F450 TYPE I FORD 2019
LINER

DATE: 11/20/18 SCALE
 DWN BY: AP DWG NO: 9 / 9