

Pumper, PUC

BODY

Pumper, PUC, Aluminum

CHASSIS

Velocity Chassis, PUC (Big Block)

CHASSIS
AXLE, FRONT, CUSTOM
 22,800 Lb TAK-4 Axle

AXLE, REAR
 31,000 Lb Meritor Axle

ENGINE
 500 HP Cummins X12 Engine

TRANSMISSION
 Allison 5th Gen, 4500 EVS P

BUMPER
 19" Extended Painted Steel

CAB
 7010 Velocity FR Cab, PUC

BODY
WATER TANK
 730 Gallon Poly Water Tank

COMPT, PUMPER, REAR
 33.50" FF RollUp Rear Compt w/Tailboard, PUC

COMPT, PUMPER, LEFT SIDE
 189" RollUp Full Height & Depth Front & Rear, PUC

COMPT, PUMPER, RIGHT SIDE
 189" RollUp Full Height & Depth Front & Rear, PUC

FIRE SUPPRESSION
PUMPHOUSE
 Control Zone, PUC

PUMP
 1500 GPM Pierce PUC

CROSSLAYS, 1.50"
 (2) 1.50", Poly Trays, 200"

CROSSLAYS, 2.50"
 (1) 2.50", Poly Tray, 325"

GENERATOR
 Generator Not Required

Foam System
 Husky 3 Single Agent Foam System

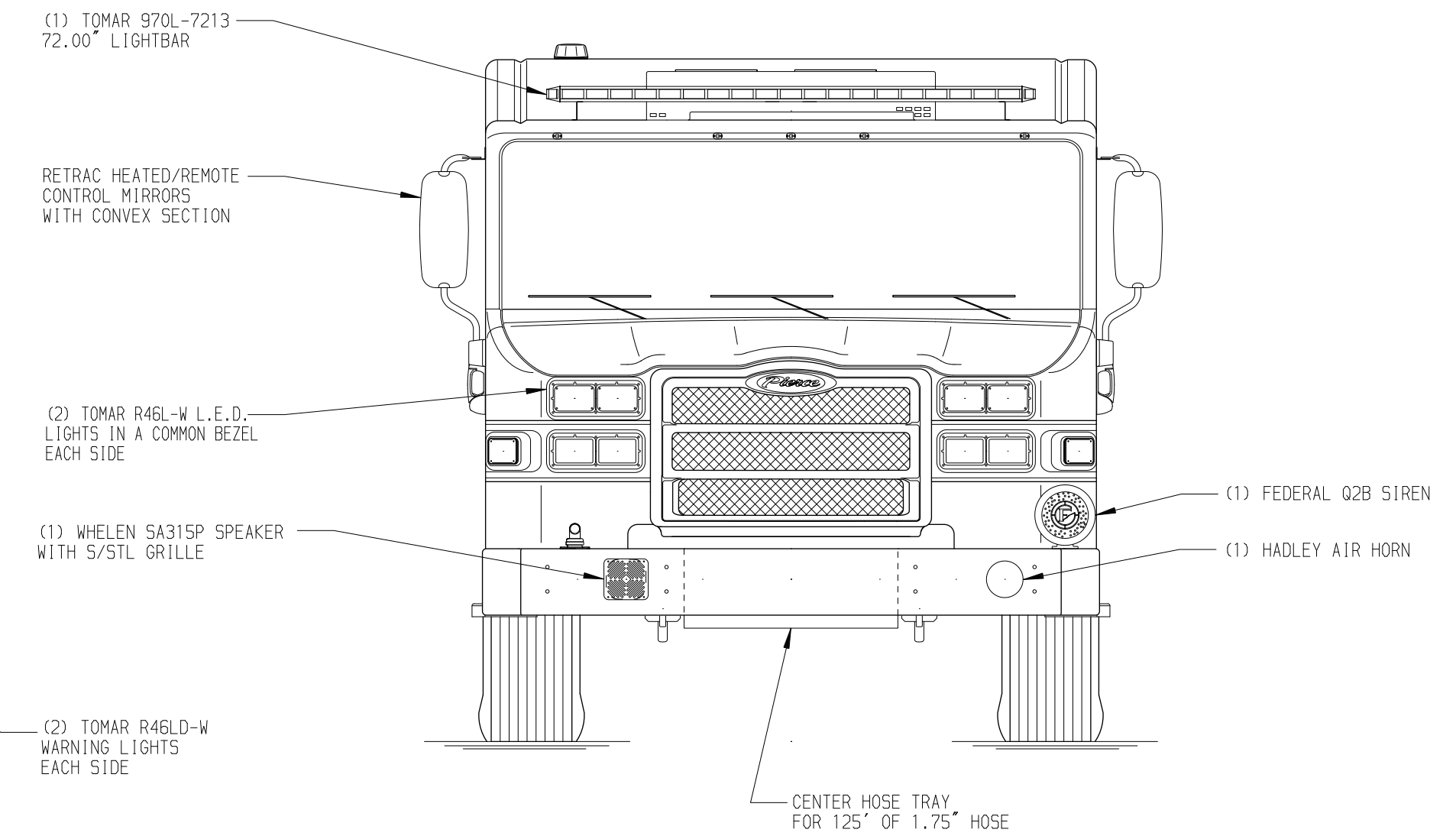
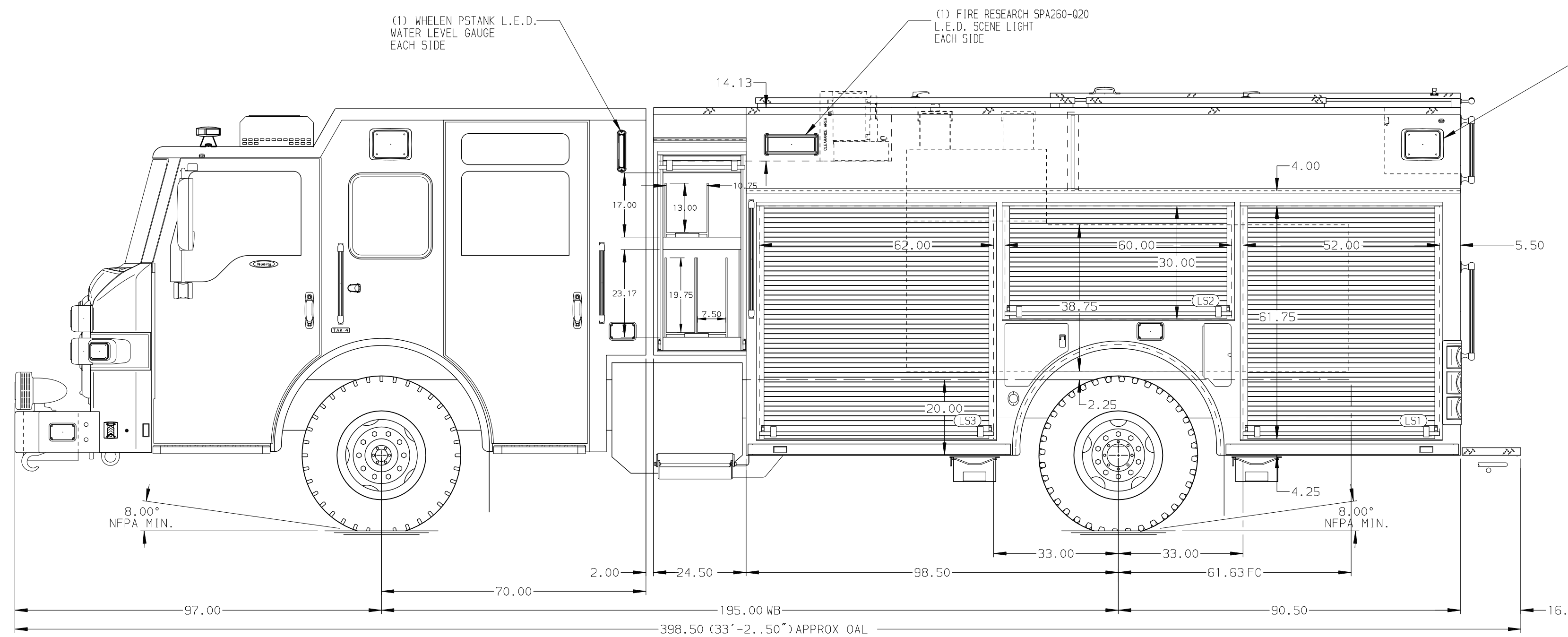
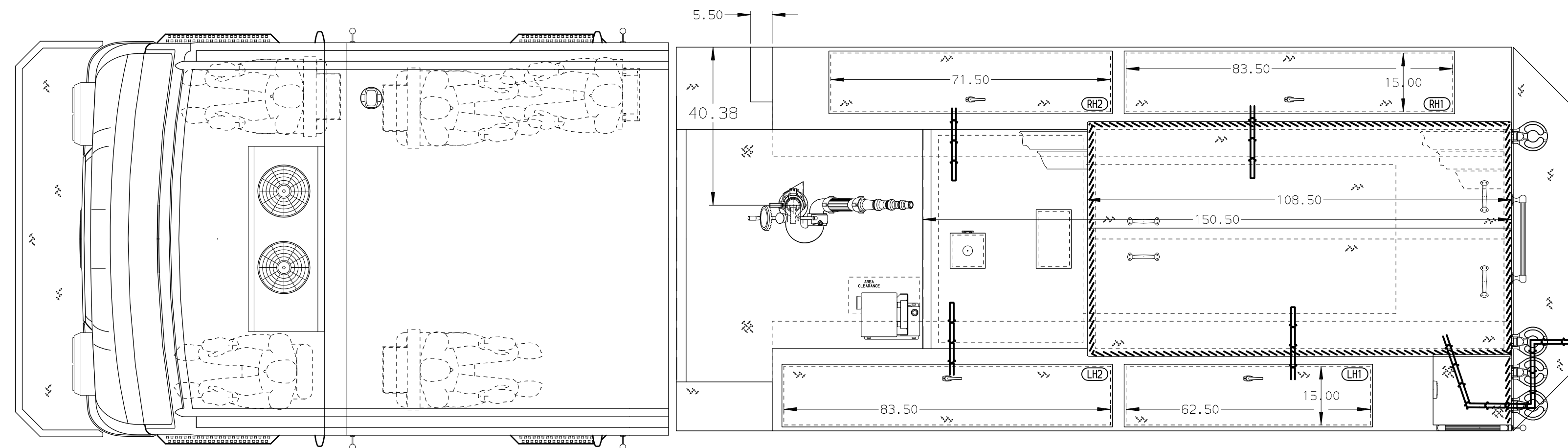
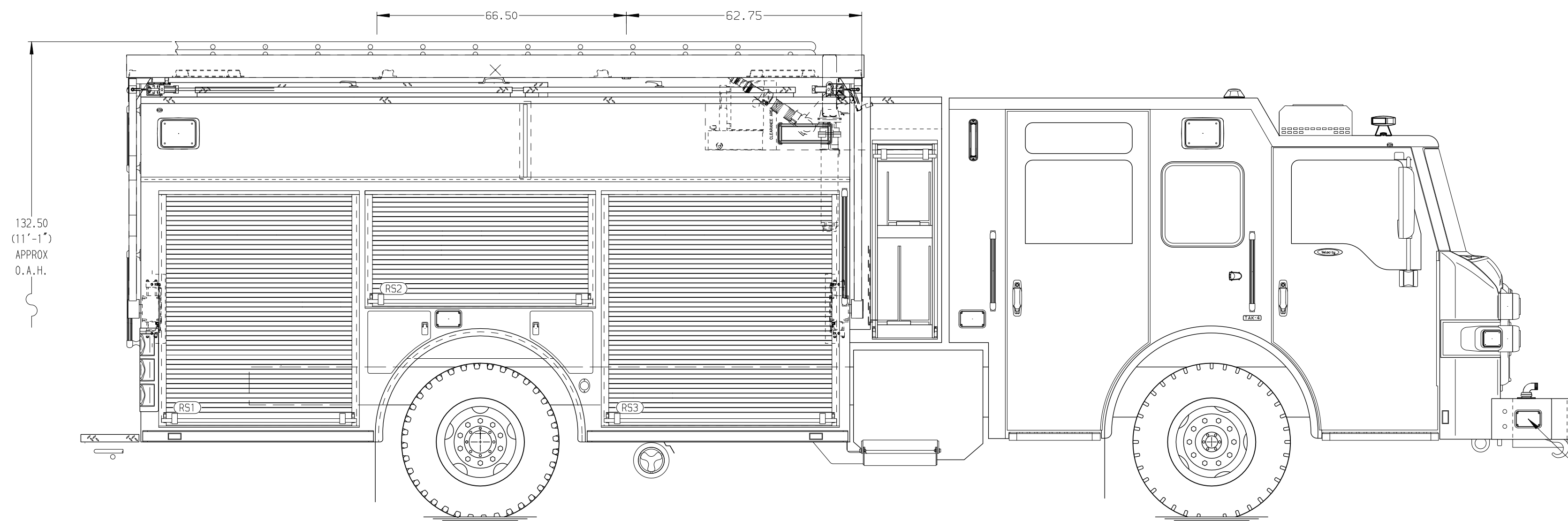
Foam Cell
 20 Gallon Foam Cell, Reduced Water, PUC

Side Roll and Frontal Impact Protection

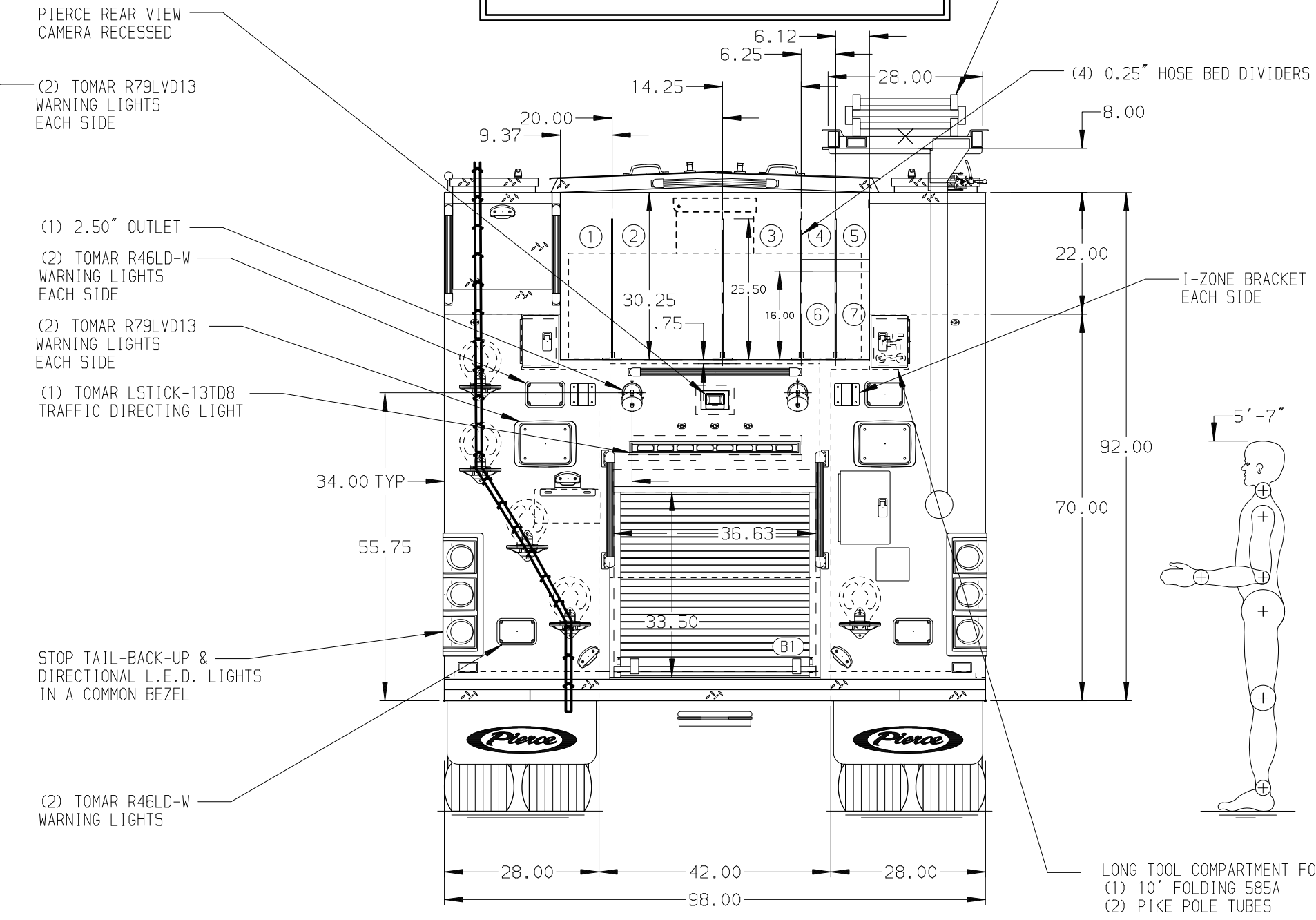
NOTE
 DIMENSIONS SHOWN ARE APPROXIMATE
 AND ARE SUBJECT TO MINOR DEVIATIONS
 AS MAY OCCUR OR BE NECESSARY IN
 CONSTRUCTION.
 MINOR DETAILS NOT SHOWN.

- ONE 1.50" OUTLET WITH 2.00" PIPING AND SWIVEL LOCATED ON TOP BUMPER RIGHT SIDE
- BLUE SEA SHORELINE RECEPTACLE LOCATED ON DRIVER SIDE CAB CORNER
- AIR INLET WITH DISCONNECT COUPLING ON THE DRIVER SIDE CAB CORNER
- BATTERY CHARGER LOCATED PER ORDER
- BATTERY CHARGE INDICATOR LOCATED NEAR DRIVER SEAT RISER WITH BRACKET
- EIGHT ADJUSTABLE SHELVES LOCATED PER ORDER
- TWO FLOOR MOUNTED SLIDE-OUT TRAY LOCATED PER ORDER
- TWO SLIDE-OUT TRAYS LOCATED IN COMPARTMENT PER SHOP ORDER
- TWO SLIDE-OUT TOOLBOARDS LOCATED IN COMPARTMENT PER SHOP ORDER
- TWO VERTICAL PARTITIONS LOCATED IN COMPARTMENT PER SHOP ORDER

- PEGBOARD ON BACK WALL IN COMPARTMENTS PER SHOP ORDER
- AUTOMATIC TIRE CHAINS



HOSEBED CAPACITY	
BED 1	200' OF 2.50" D.J. POLY HOSE
BED 2	800' OF 4.00" D.J. POLY HOSE
BED 3	600' OF 2.50" D.J. POLY HOSE
BED 4	200' OF 1.50" D.J. POLY HOSE
BED 5	200' OF 1.50" D.J. POLY HOSE
BED 6	100' OF 1.75" D.J. POLY HOSE
BED 7	100' OF 1.75" D.J. POLY HOSE



		JOB NO.	37216
		SCALE	01-02
Pierce MANUFACTURING INC.		TITLE	Pierce Pumper Approval Drawing
		DATE	21FEB22
CHASSIS DATA MAKE PIERCE MODEL VELOCITY		DRAWN BY	MMF
		CHECKED BY	COL
FOR Central Lyon		SHEET SIZE	D
		SHEET NO.	1 OF 1
DWG NO.		37216AD	

REV	DATE	BY	CH	VELOCITY
15JUN22	MMF	CHR		
03MAY22	MMF	CHR		