

# Pumper, PUC

BODY  
Pumper, PUC, Aluminum  
CHASSIS  
Enforcer Chassis, PUC

CHASSIS  
AXLE, FRONT, CUSTOM  
18,740 Lb TAK-4 Axle

AXLE, REAR  
27,000 Lb Dana Axle

ENGINE  
500 HP Cummins X12 Engine

TRANSMISSION  
Allison 5th Gen, 4000 EVS P

BUMPER  
19" Extended Stainless Steel

CAB  
7010 Enforcer Cab, PUC

BODY  
WATER TANK

575 Gallon Poly Water Tank  
COMPT, PUMPER, REAR  
40.50" FF RollUp Rear Compt w/Tailboard, PUC

COMPT, PUMPER, LEFT SIDE  
189" RollUp Full Height & Depth Front & Rear, PUC

COMPT, PUMPER, RIGHT SIDE  
189" RollUp Full Height & Depth Front & Rear, PUC

FIRE SUPPRESSION  
PUMPHOUSE

Control Zone, PUC

PUMP

1500 GPM Pierce PUC

CROSSLAYS, 1.50"  
(2) 1.50", Poly Trays, 200'

CROSSLAYS, 2.50"  
(1) 2.50", Poly Tray, 200'

GENERATOR  
MCR 6KW

Foam System  
Husky 3 Single Agent Foam System

Foam Cell

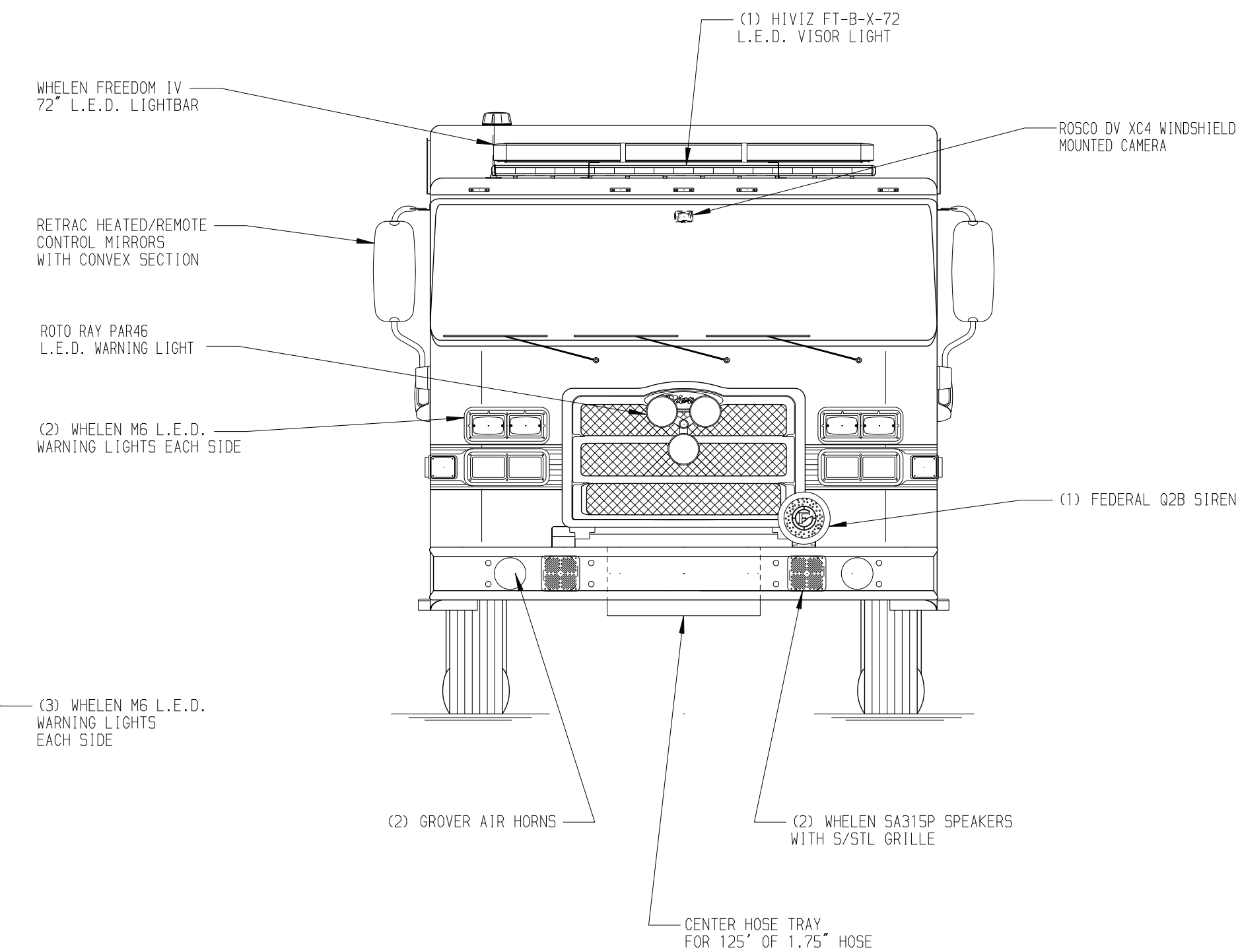
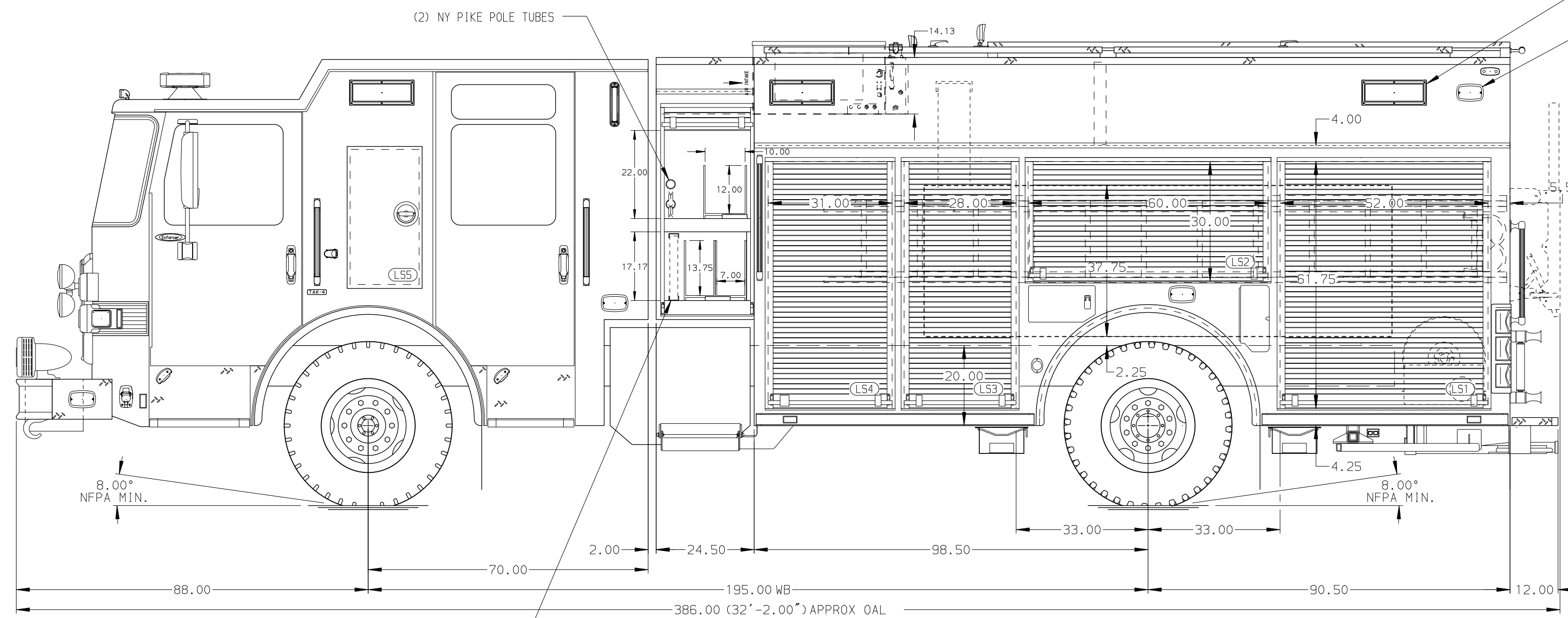
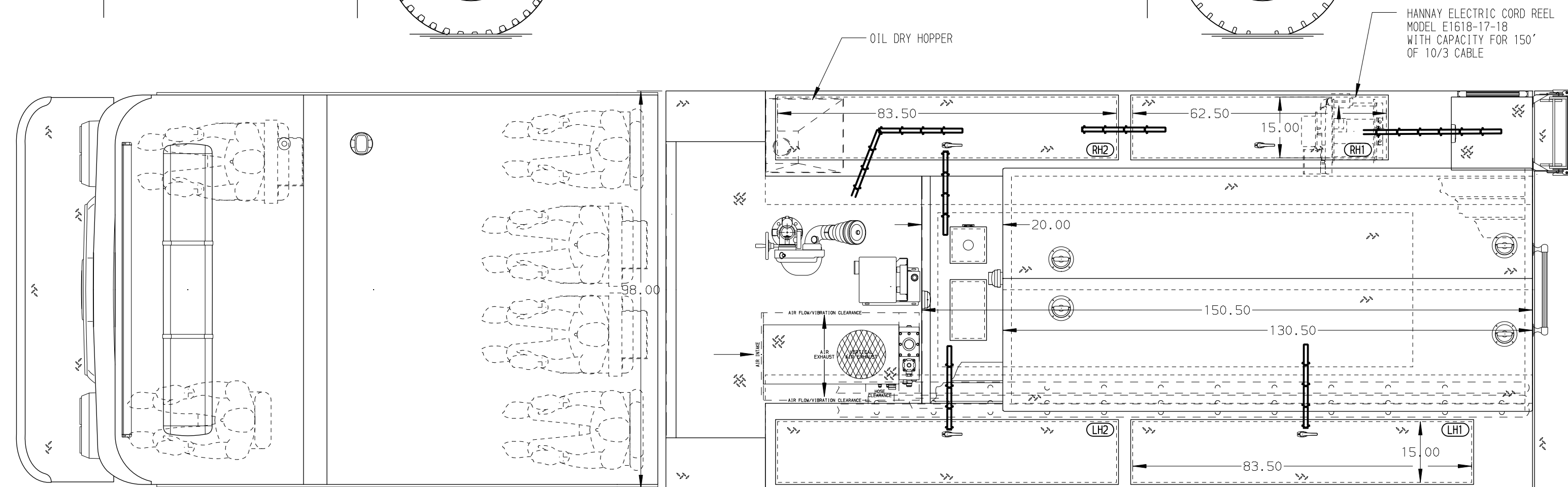
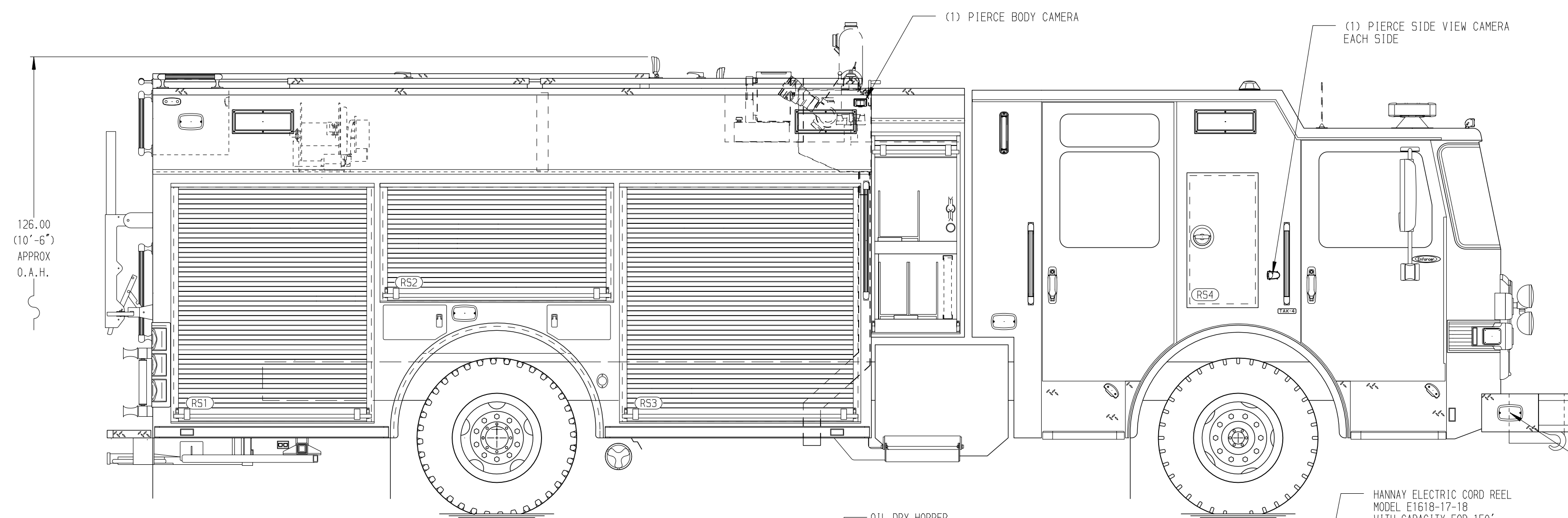
30 Gallon Foam Cell, Not Reduced Water, PUC

Side Roll and Frontal Impact Protection

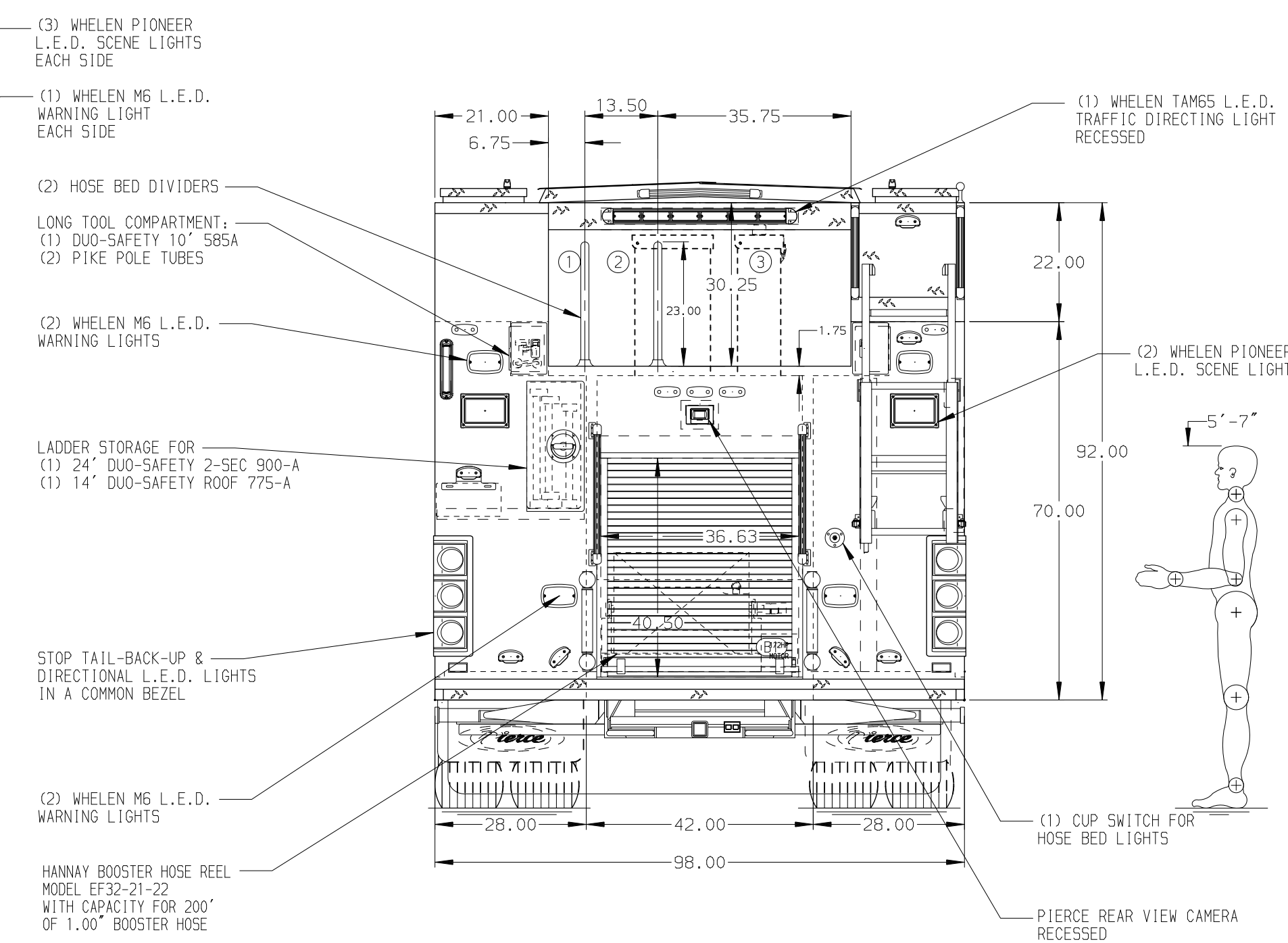
NOTE  
DIMENSIONS SHOWN ARE APPROXIMATE AND ARE SUBJECT TO MINOR DEVIATIONS AS MAY OCCUR OR BE NECESSARY IN CONSTRUCTION. MINOR DETAILS NOT SHOWN.

- ONE 1.50" OUTLET WITH 2.00" PIPING AND SMIVEL LOCATED IN CENTER BUMPER TRAY
- SHORELINE RECEPTACLE WITH KUSSMAUL SUPER AUTO-EJECT WITH DIGITAL DISPLAY LOCATED ON DRIVER SIDE CAB CORNER
- AIR INLET WITH DISCONNECT COUPLING ON DRIVER SIDE PUMP PANEL
- BATTERY CHARGER/COMPRESSOR LOCATED IN CAB
- FOUR ADJUSTABLE SHELVES IN COMPARTMENTS PER SHOP ORDER
- THREE FLOOR MOUNTED SLIDE-OUT TRAY IN COMPARTMENT PER SHOP ORDER
- ONE CTECH THREE DRAWER ASSEMBLY LOCATED PER SHOP ORDER
- ONE SWING-OUT TOOLBOARDS LOCATED PER SHOP ORDER
- ONE VERTICAL PARTITION LOCATED PER SHOP ORDER

- ONE ADJUSTABLE HEIGHT SLIDE-OUT TRAY LOCATED IN COMPARTMENT PER SHOP ORDER
- TWO TILT/SLIDE-OUT TRAYS LOCATED IN COMPARTMENTS PER SHOP ORDER
- ONE SLIDE-OUT TOOLBOARD IN COMPARTMENT PER SHOP ORDER
- PEG BOARD ON BACK WALL OF COMPARTMENTS PER SHOP ORDER
- 4 SLOT AIR BAG RACK LOCATED IN COMPARTMENT PER SHOP ORDER



| HOSEBED CAPACITY |                               |
|------------------|-------------------------------|
| BED 1            | 200' OF 3.00" D.J. POLY HOSE  |
| BED 2            | 500' OF 3.00" D.J. POLY HOSE  |
| BED 3            | 1000' OF 5.00" D.J. POLY HOSE |



|                                  |                                    |                |
|----------------------------------|------------------------------------|----------------|
| <b>PIERCE MANUFACTURING INC.</b> | JOB NO.                            | 37085<br>01-02 |
|                                  | SCALE                              | DATE           |
| TITLE                            | PIERCE PUC Pumper Approval Drawing | DRAWN BY       |
| MAKE                             | -                                  | MMF            |
| FOR                              | Alcoa Fire Department              | CHECKED BY     |
| MODEL                            | -                                  | COL            |
| DWG NO.                          | 37085AD                            | SHEET SIZE     |
| ENFORCER                         | -                                  | SHEET NO.      |
| REV                              | 13JAN22                            | MMF            |
| BY                               | JGO                                | CH             |
| DATE                             |                                    |                |