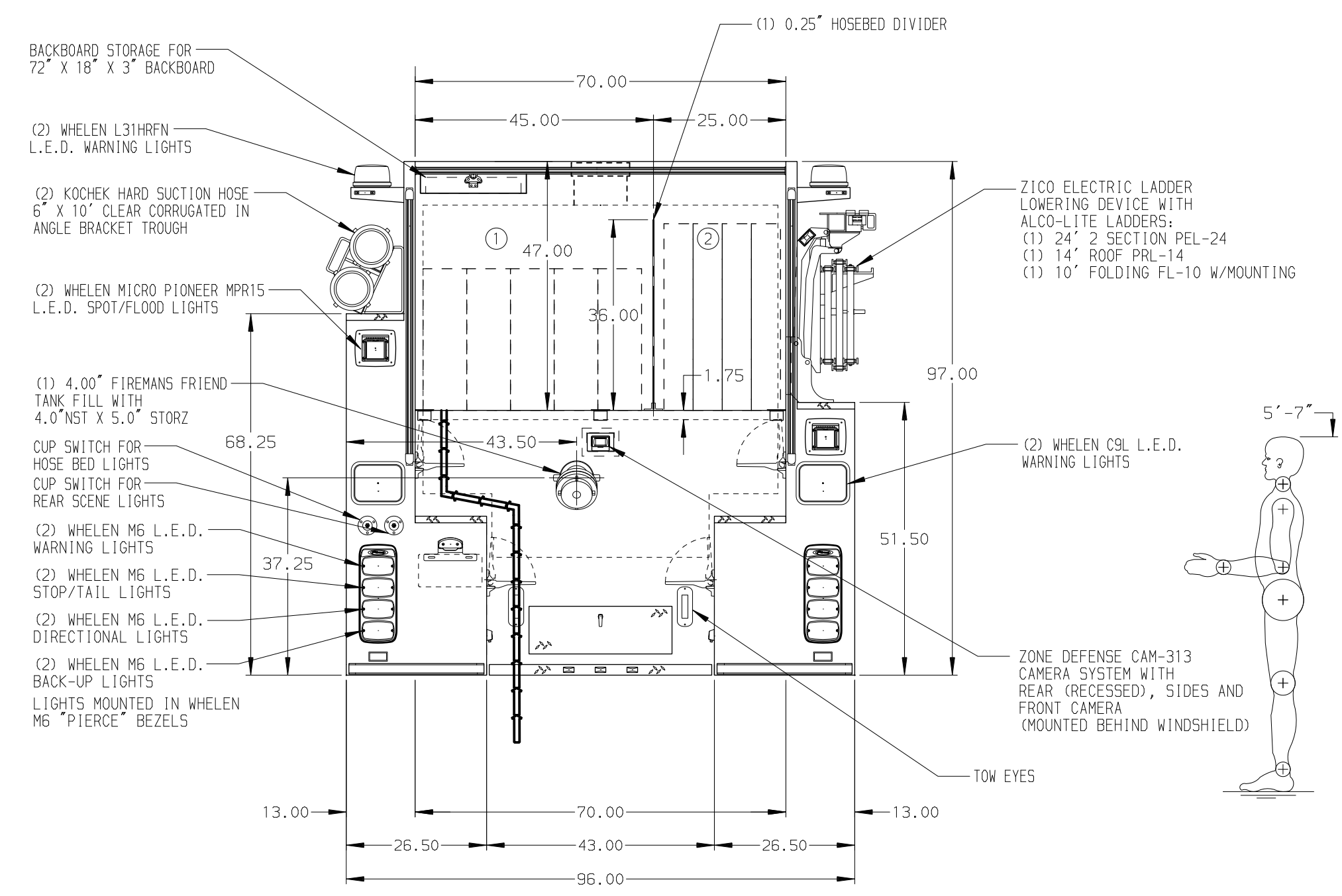
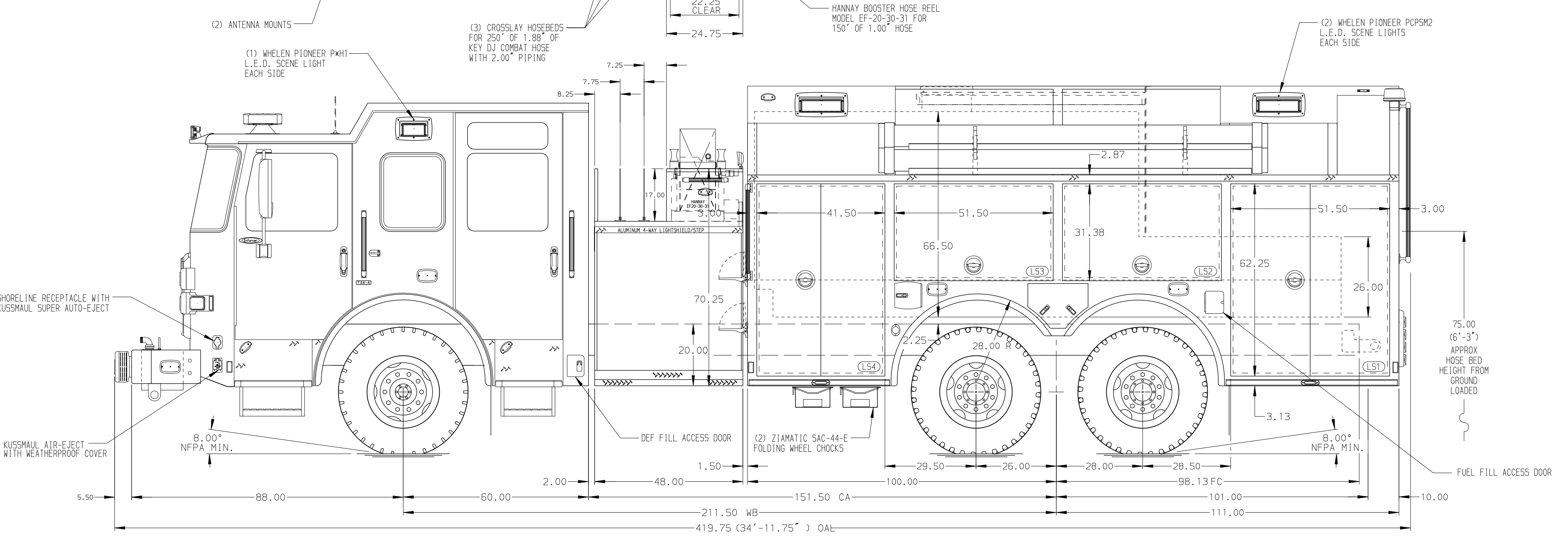


HOSEBED CAPACITIES
 ① - 1000' OF 5.00\"/>



ALUMINUM BODY

MAXIMUM OAH: 126.00"

MAXIMUM OAL: 420.00"

NOTE
 DIMENSIONS SHOWN ARE APPROXIMATE AND ARE SUBJECT TO MINOR DEVIATIONS AS MAY OCCUR OR BE NECESSARY IN CONSTRUCTION. MINOR DETAILS NOT SHOWN.

- AIR OUTLET WITH SHUTOFF VALVE AND MILTON "M" FITTING LOCATED AT DRIVER'S SIDE PUMP PANEL
- PACCAR DEF TANK MOUNTED UNDER CAB ON THE DRIVER'S SIDE
- KUSSMAUL BATTERY CHARGER LOCATED BEHIND DRIVER'S SEAT
- BATTERY CHARGER INDICATOR LOCATED NEAR THE DRIVER'S SEAT RISER WITH SPECIAL BRACKET
- DUAL L.E.D. LIGHT STRIPS LOCATED IN HOSE BED
- DUAL L.E.D. LIGHT STRIPS LOCATED IN EACH SIDE COMPARTMENT
- ADDITIONAL L.E.D. LIGHT STRIPS LOCATED IN RS2 AND RS3
- PULL STRAP ON LEFT UP DOORS IN COMPARTMENTS LS2 AND LS3
- ONE FULL WIDTH/DEPTH ADJUSTABLE SHELF IN COMPARTMENTS LS1, LS4, RS1, AND RS4
- ONE FLOOR MOUNTED SLIDE-OUT TRAY IN COMPARTMENT LS4
- PAC TRAC INSTALLED IN COMPARTMENTS LS1, LS2, LS3, AND LS4

REV	DATE	BY	CH	ENFORCER
02DEC21		SAM	CLM	PIERCE
06OCT21		SAM	EGO	MODEL

TITLE	1500-D-2250G, 2250G WATER, 211" TANKER BODY
FOR	(3) CROSSLAYS, LADDER RACK, BOOSTER REEL, DELUGE
FOR	FAYETTEVILLE FIRE DEPARTMENT
FOR	FAYETTEVILLE, ARKANSAS
DWG NO.	36518AD

JOB NO.	36518
SCALE	1:24
DATE	
DRAWN BY	SAM
CHECKED BY	EGO
SHEET SIZE	D
SHEET NO.	1 OF 1