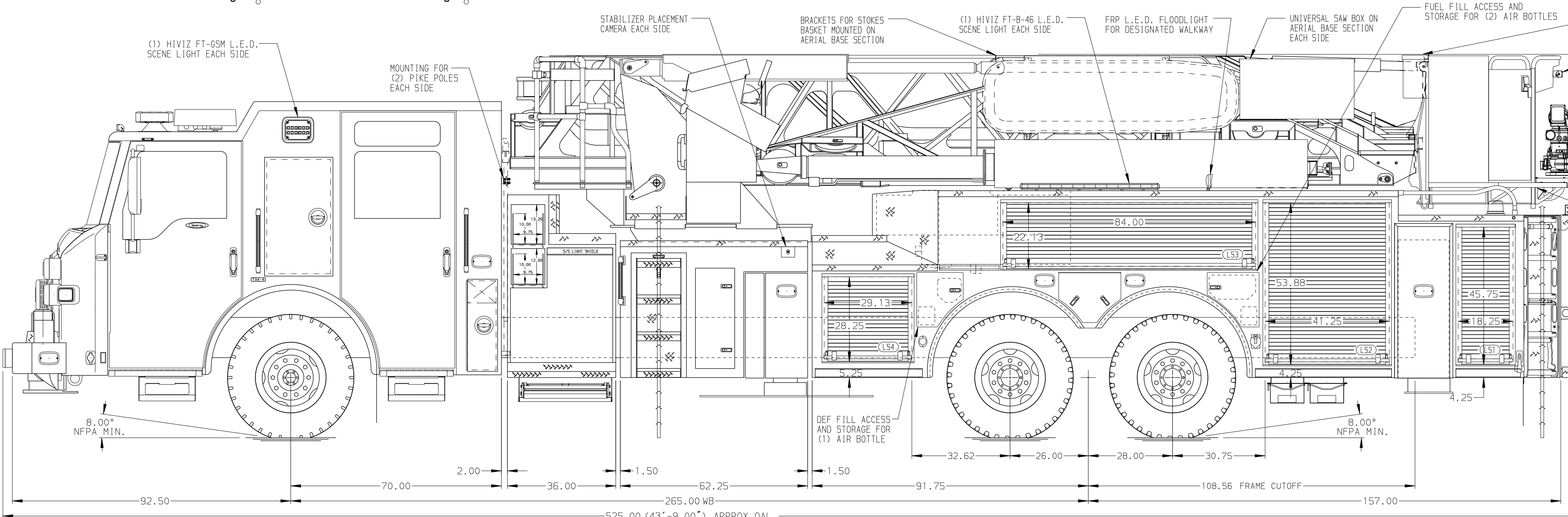


BODY 100' Ascendant Aerial Tower Alum Body COMPT, LEFT SIDE Full Height RollUp Doors COMPT, RIGHT SIDE Full Height RollUp Doors	WATER TANK 300 Gal/Lon Poly Water Tank Foam System Foam System Not Required Foam Cell Foam Cell Not Required
---	--



CHASSIS Velocity Chassis (Big Block) ENGINE 605 HP Cummins X15 Engine	CAB 7010 Velocity FR Cab BUMPER 15" Extended Painted Aluminum	AXLE, FRONT, CUSTOM 24,000 Lb TAK-4 Axle AXLE, REAR 54,000 Lb Meritor Axle	TRANSMISSION Allison 5th Gen, 4500 EV5 P	PUMPHOUSE 36" Control Zone Side Mount PUMP 1500 GPM Waterous S100	CROSSLAYS, 1.50" (2) 1.50" With Trays 200' of 1.75" hose CROSSLAYS, 2.50" 2.50" Crosslay Not Required	SPEEDLAYS Speedlays Not Required GENERATOR Harrison 6kW MID Hydraulic	
NOTE							
DIMENSIONS SHOWN ARE APPROXIMATE AND ARE SUBJECT TO MINOR DEVIATIONS AS MAY OCCUR OR BE NECESSARY IN CONSTRUCTION. MINOR DETAILS NOT SHOWN.							
1. SHORELINE RECEPTACLE WITH KUSSMAUL SUPER AUTO-EJECT LOCATED DRIVER SIDE FRONT CORNER OF CAB		2. AIR INLET/OUTLET WITH DISCONNECT FITTING LOCATED ON THE DRIVER SIDE PUMP PANEL		3. BATTERY CHARGER/AIR COMPRESSOR LOCATED IN CAB PER SHOP ORDER		4. BATTERY CHARGER INDICATOR LOCATED AT DRIVER'S SIDE STEP AREA	
5. L.E.D. LIGHT STRIPS LOCATED IN THE HOSE BED PER SHOP ORDER		6. SIX ADJUSTABLE SHELVES IN COMPARTMENTS PER SHOP ORDER		7. FOUR FLOOR MOUNTED FULL WIDTH/FULL DEPTH SLIDE-OUT TRAYS WITH 2.00" SIDES IN COMPARTMENTS PER SHOP ORDER		8. ONE SLIDE-OUT TOOLBOARD (10" TRAY) IN COMPARTMENT PER SHOP ORDER	
9. ONE SLIDE-OUT TOOLBOARD (12" TRAY) IN COMPARTMENT PER SHOP ORDER		10. ONE SWING-OUT ALUMINUM TOOL BOARD IN COMPARTMENT PER SHOP ORDER		11. TWO ADJUSTABLE TOOL BOARDS MOUNTED TO SLIDE-OUT TRAY IN COMPARTMENTS PER SHOP ORDER		12. TWO VERTICAL PARTITIONS IN COMPARTMENTS PER SHOP ORDER	
13. RACK FOR (3) AIR BAYS IN COMPARTMENT PER SHOP ORDER		14. CIRCUIT BREAKER PANEL LOCATED IN COMPARTMENT PER SHOP ORDER		15. TWO 120V 4-PLACE DUPLEX RECEPTACLES LOCATED IN CAB PER SHOP ORDER		16. 120V POWER TO AERIAL BASKET	
17. BREATHING AIR TO AERIAL TIP		18. NON-RAISED AERIAL PEDESTAL		19. 3-in-1 LYFECOMBO BRACKETS AT AERIAL BASKET			

		JOB NO.	36112		
		SCALE	DATE		
TITLE	100' ASCENDANT AERIAL TOWER AND BODY ASSEMBLY		DRAWN BY	TKA	31MAR21
FOR	ST. TAMMANY FIRE PROTECTION DISTRICT #12 COVINGTON, LOUISIANA		CHECKED BY	JBL	2APR21
DWG NO.	36112AD		SHEET SIZE	SHEET NO.	
VELOCITY			D	1 OF 1	