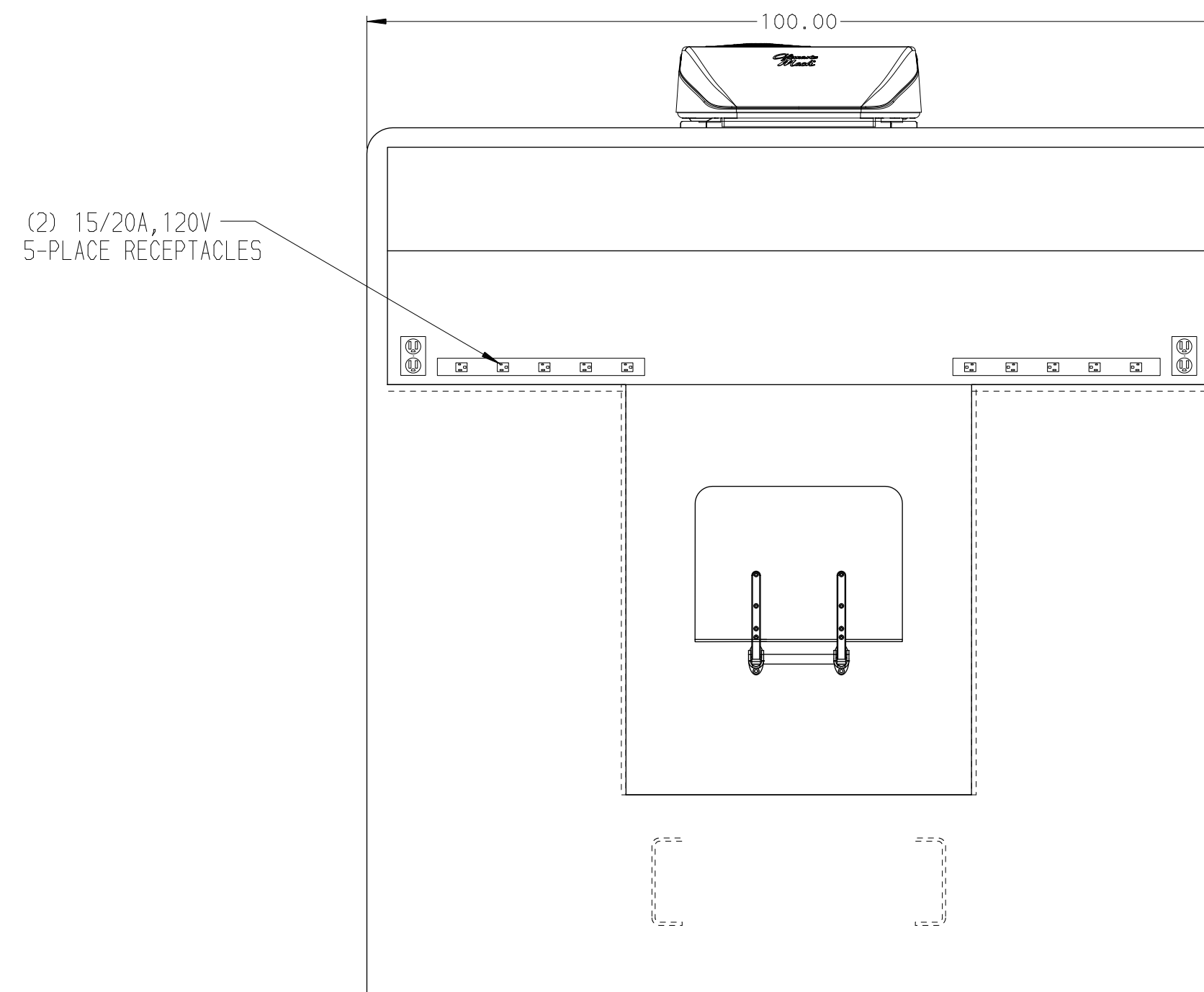
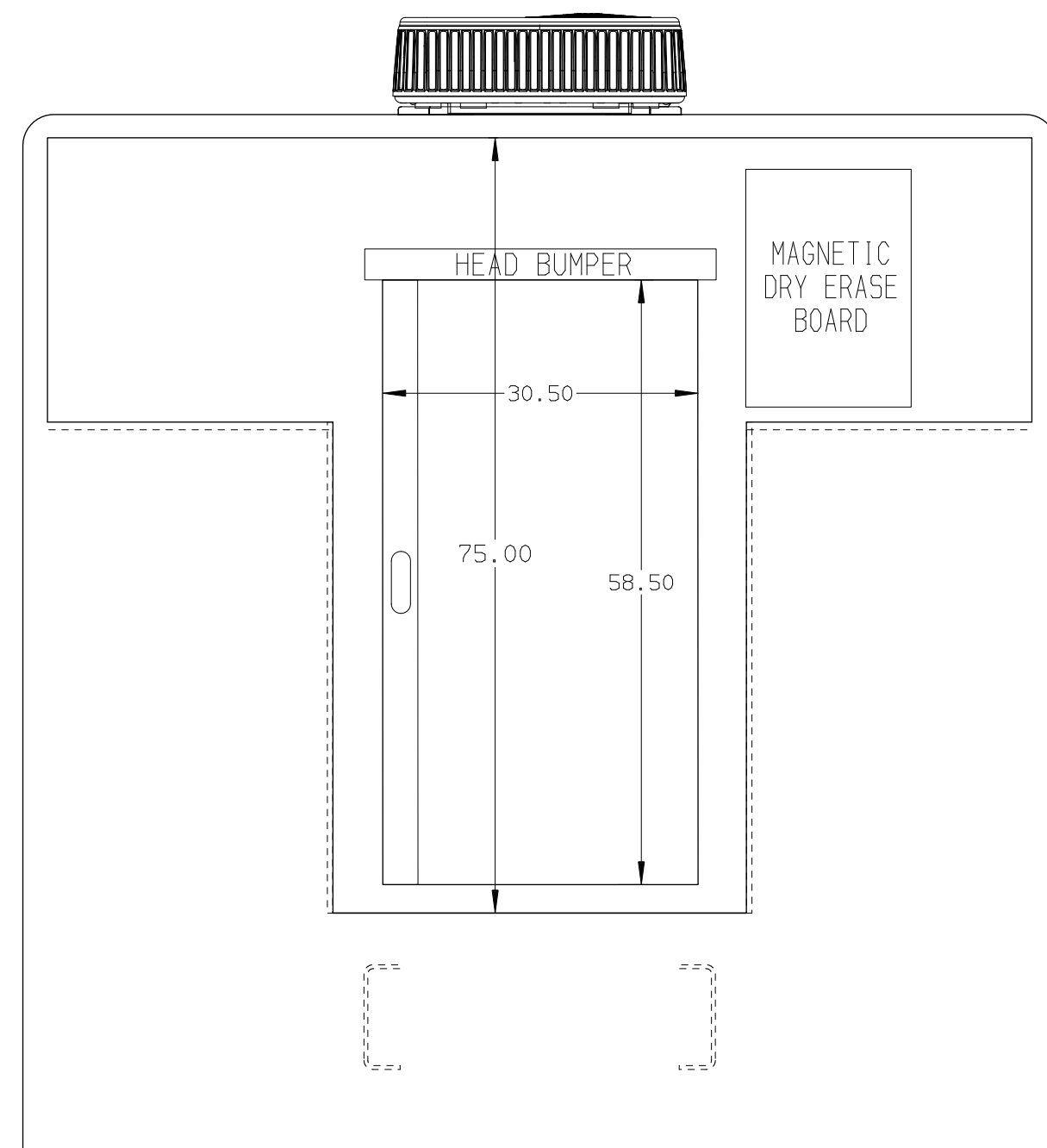


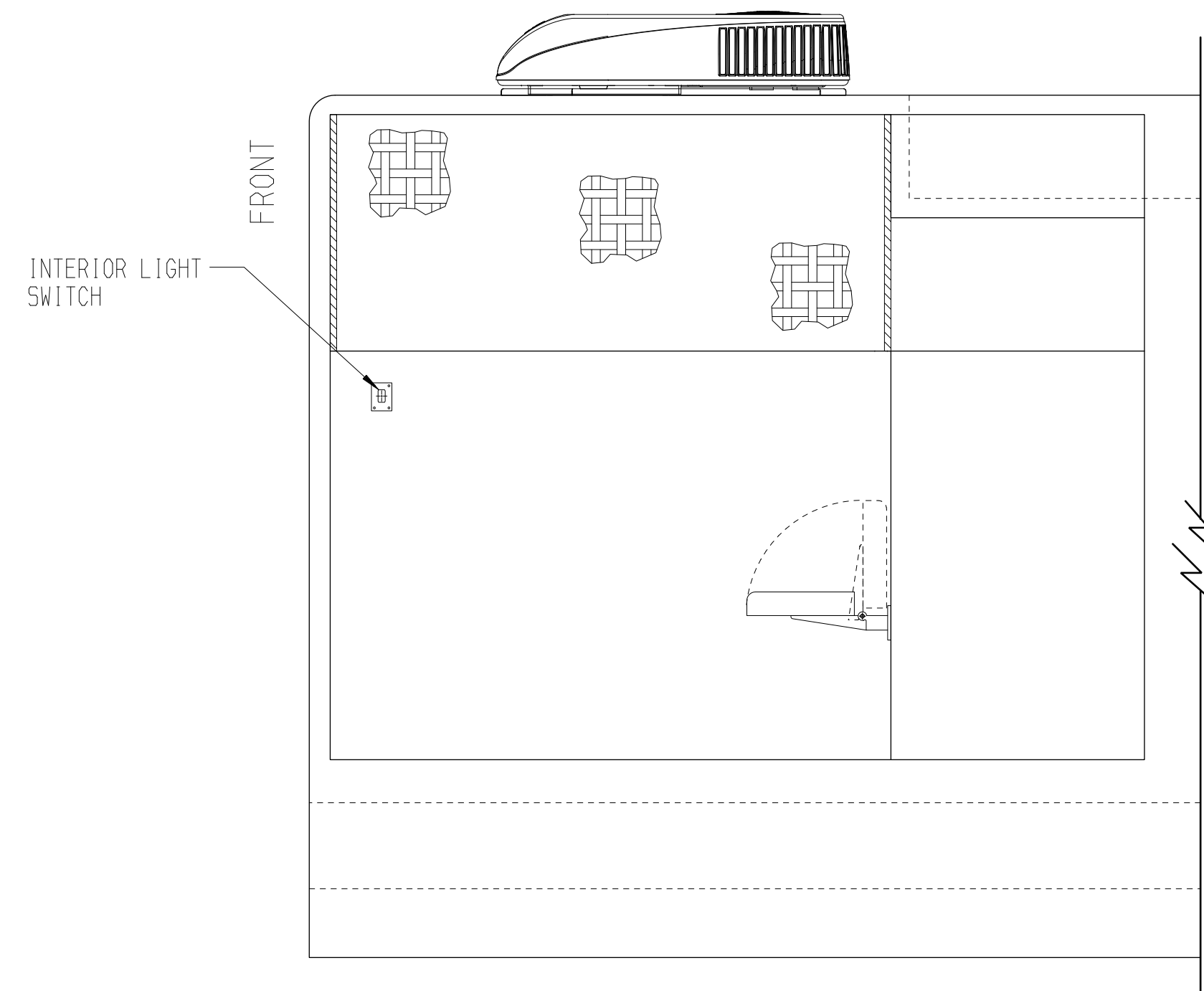
DRIVER'S SIDE INTERIOR VIEW



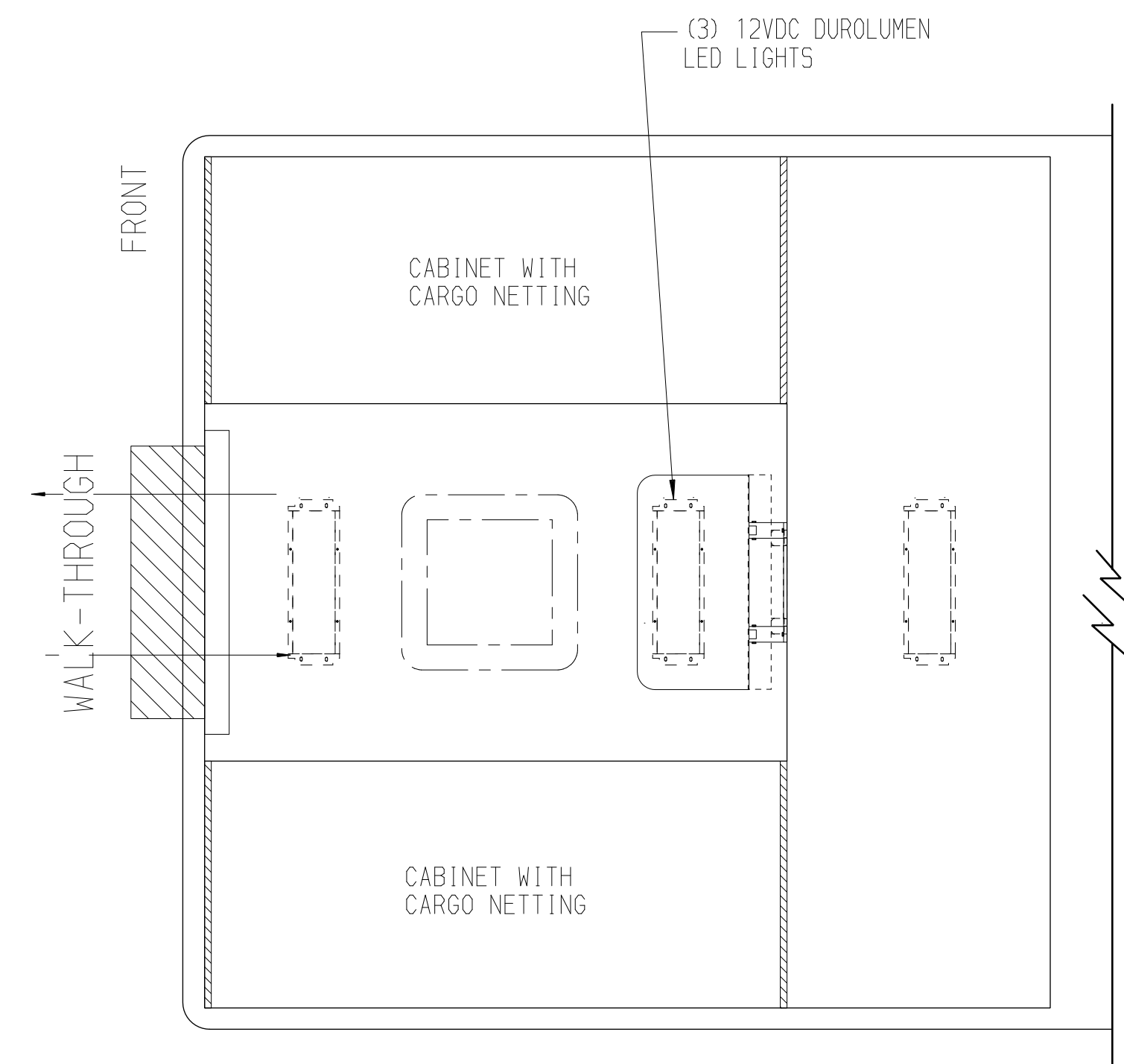
INTERIOR VIEW LOOKING FRONT TO REAR



INTERIOR VIEW LOOKING REAR TO FRONT



PASSENGER'S SIDE INTERIOR VIEW



OVERHEAD INTERIOR VIEW

NOTE
DIMENSIONS SHOWN ARE APPROXIMATE AND ARE SUBJECT TO MINOR DEVIATIONS AS MAY OCCUR OR BE NECESSARY IN CONSTRUCTION. MINOR DETAILS NOT SHOWN.

NOTES:

REV	DATE	BY	CH	CHASSIS DATA
23SEP21	DHE	CDK		MAKE
07JUN21	DHE	CDK		MODEL
02JUN21	DHE	CDK		
25MAR21	DHE	CDK		

	JOB NO.	35821
	SCALE	DATE
TITLE	HEAVY DUTY RESCUE WALKIN/NON-WALKIN COMBO	DRAWN BY
FOR	COMMUNITY VOLUNTEER FIRE DEPARTMENT	DHE
	BID #945	CDK
DWG NO.	35821AD-SH2	CHECKED BY
		JEFF DORAN
		SHEET NO.
		2 OF 2