

PUMPER BODY

Long Aluminum 2nd Gen Pumper

CHASSIS

Enforcer Chassis

CHASSIS AXLE, FRONT, CUSTOM

18,000 Lb Dana Axle

AXLE, REAR

27,000 Lb Dana Axle

ENGINE

450 HP Cummins L9 Engine

TRANSMISSION

Allison 5th Gen, 3000 EVS P

BUMPER

22" Extended Painted Steel

CAB

7010 Enforcer Cab

BODY

WATER TANK

1000 Gallon Poly Water Tank

COMPT, PUMPER, REAR

44.50" FF RollUp Rear Compt

COMPT, PUMPER, LEFT SIDE

161" RollUp Full Height Front & Rear FDLR

COMPT, PUMPER, RIGHT SIDE

161" RollUp Full Height Front & Rear FDLR

FIRE SUPPRESSION PUMPHOUSE

45" Control Zone Side Mount

PUMP

1500 GPM Waterous CSU

CROSSLAYS, 1.50"

(2) 1.50" Standard Capacity

CROSSLAYS, 2.50"

(1) 2.50" Standard Capacity

SPEEDLAYS

Speedlays Not Required

GENERATOR

Generator Not Required

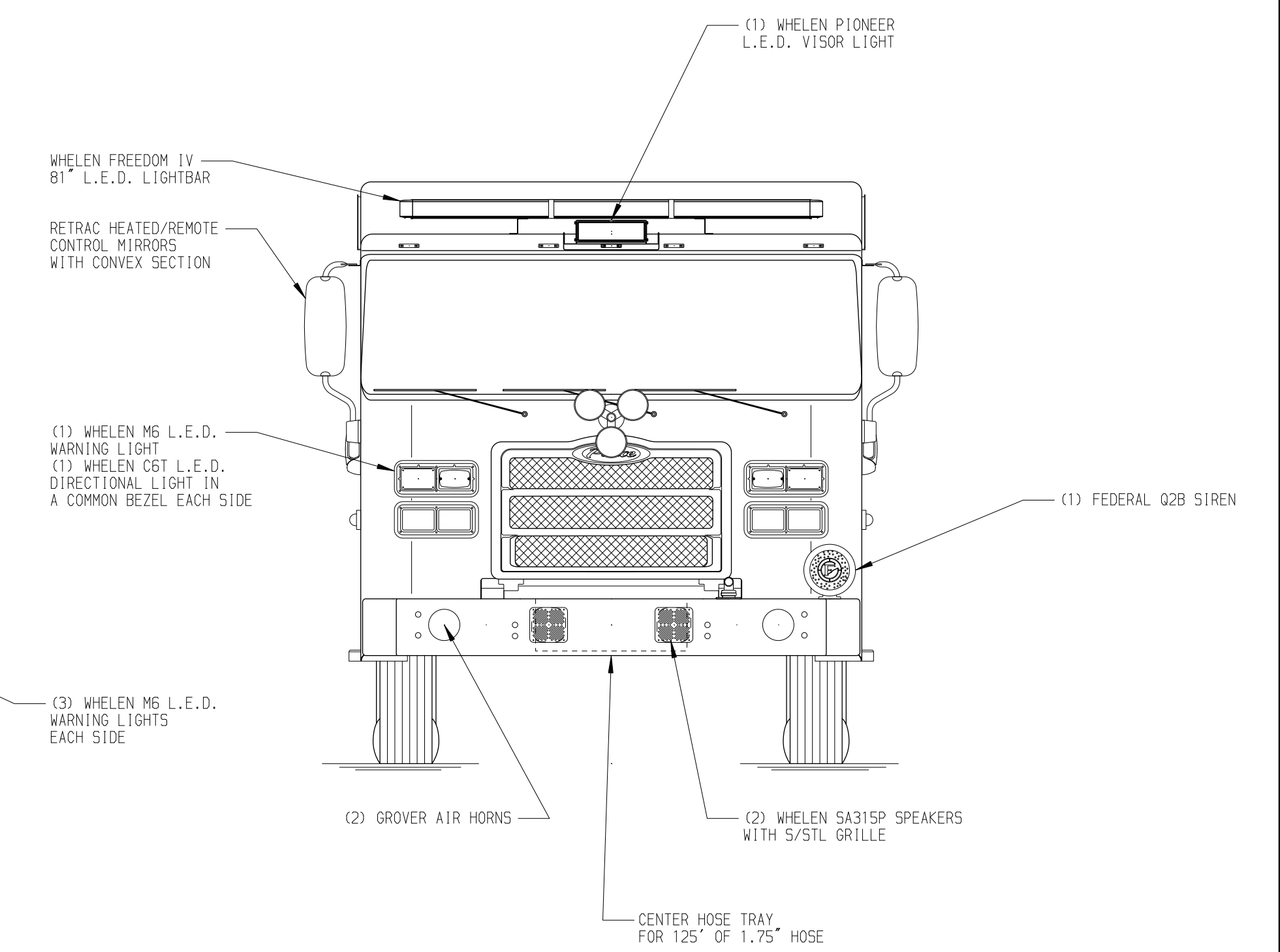
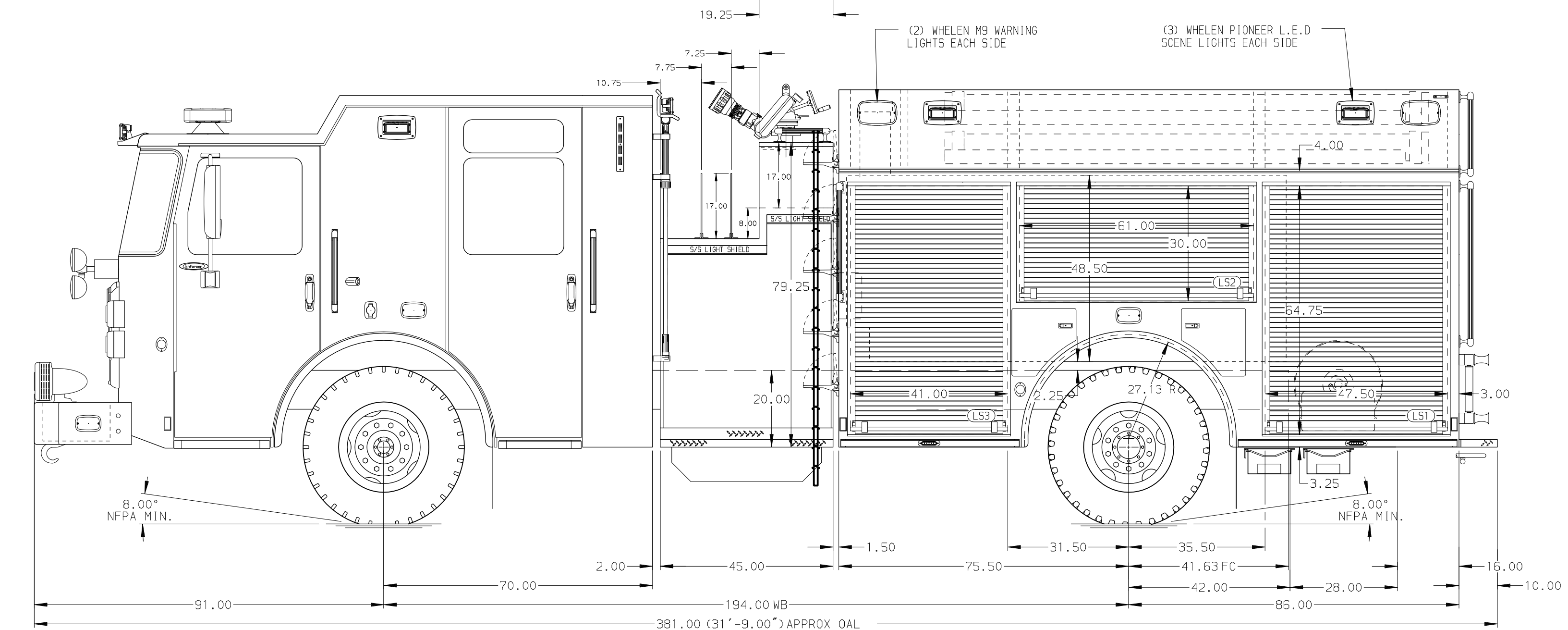
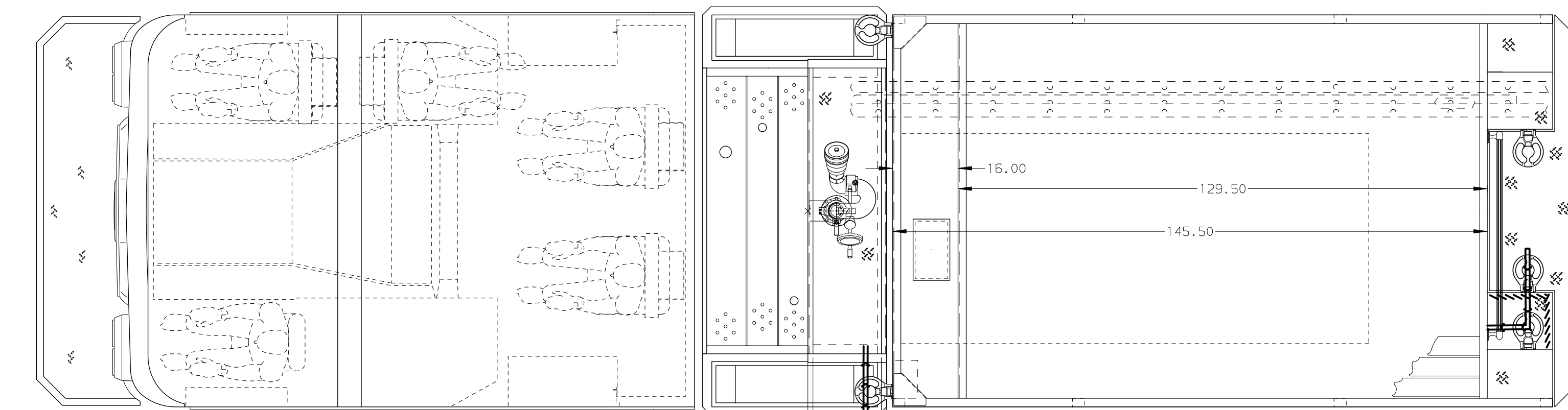
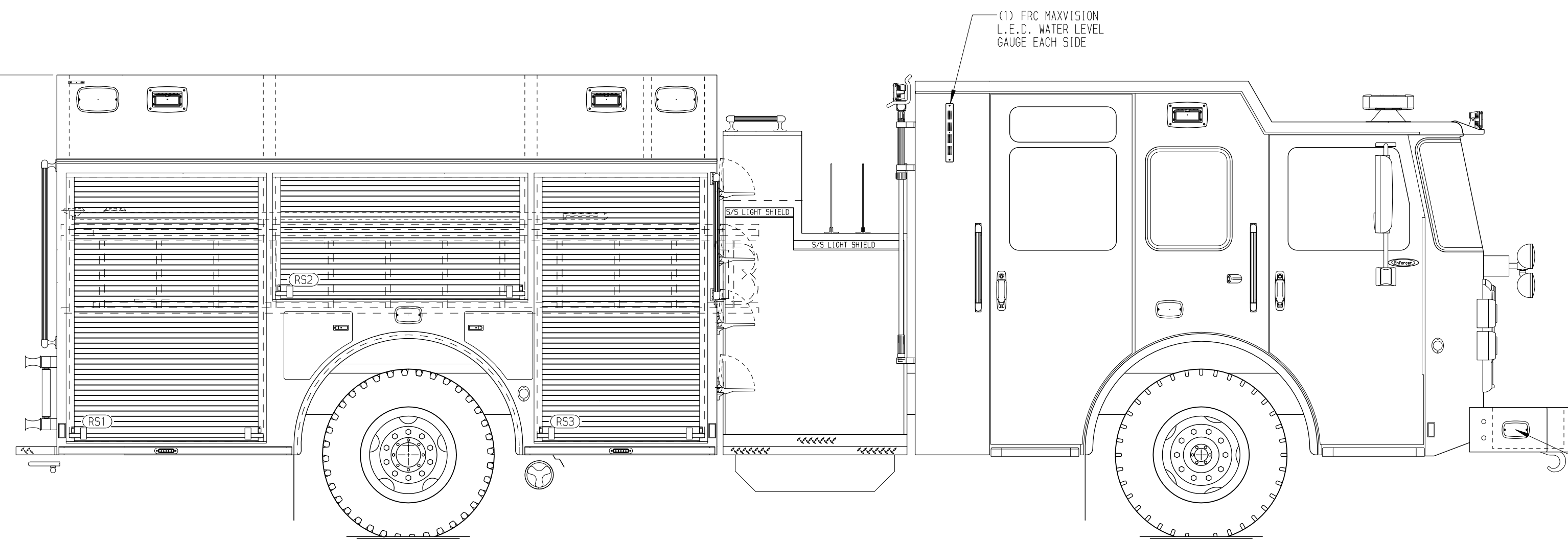
Foam System

Foam System Not Required

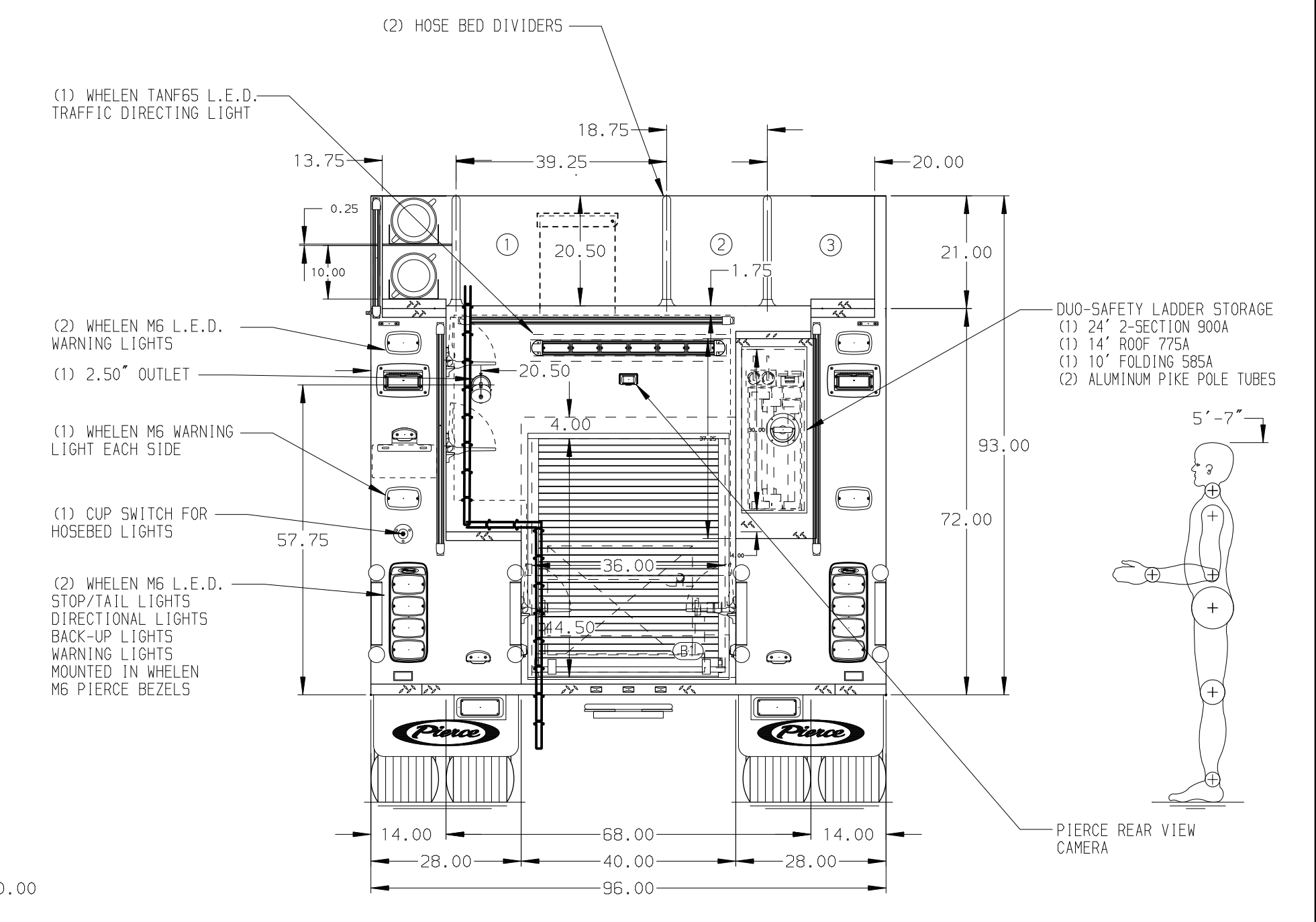
Foam Cell

Foam Cell Not Required

115.00 (9'-7") APPROX O.A.H.



HOSEBED CAPACITY	
BED 1	1000' OF 5.00" D.J. POLY HOSE
BED 2	500' OF 3.00" D.J. POLY HOSE
BED 3	500' OF 3.00" D.J. POLY HOSE



NOTE
DIMENSIONS SHOWN ARE APPROXIMATE AND ARE SUBJECT TO MINOR DEVIATIONS AS MAY OCCUR OR BE NECESSARY IN CONSTRUCTION. MINOR DETAILS NOT SHOWN.

- ONE 1.50 OUTLET WITH 2.00 PIPING AND SWIVEL LOCATED ON TOP OF BUMPER LEFT SIDE
- SHOULDER RECEPTACLE WITH KISSMALL SUPER AUTO-EJECT LOCATED ON DRIVER SIDE OF THE CAB
- AIR INLET/OUTLET WITH DISCONNECT COUPLING IN THE DRIVER SIDE PUMP PANEL
- BATTERY CHARGER LOCATED IN COMPARTMENT PER SHOP ORDER
- BATTERY CHARGE INDICATOR LOCATED ON THE DRIVER SIDE SEAT RISER
- FIVE ADJUSTABLE SHELVES IN COMPARTMENTS PER SHOP ORDER
- THREE FLOOR MOUNTED SLIDE-OUT TRAY IN COMPARTMENT PER SHOP ORDER
- ONE TOOLBOARD LOCATED IN COMPARTMENT PER SHOP ORDER
- ONE PEGBOARD ON BACK WALL IN COMPARTMENT PER SHOP ORDER
- HANNAY BOOSTER REEL (EF34-23-24) FOR 200' OF 1.00" BOOSTER HOSE IN REAR COMPARTMENT

REV	DATE	BY	CH	ENFORCER
06NOV20		MMF	PJP	
08OCT20		COL	CHR	

		JOB NO.	35463
		SCALE	1:24
TITLE	Pierce Pumper Approval Drawing	DRAWN BY	MMF
FOR	Broussard Fire Department	CHECKED BY	NPE
DWG NO.	35463AD	SHEET SIZE	D
		SHEET NO.	1 OF 1