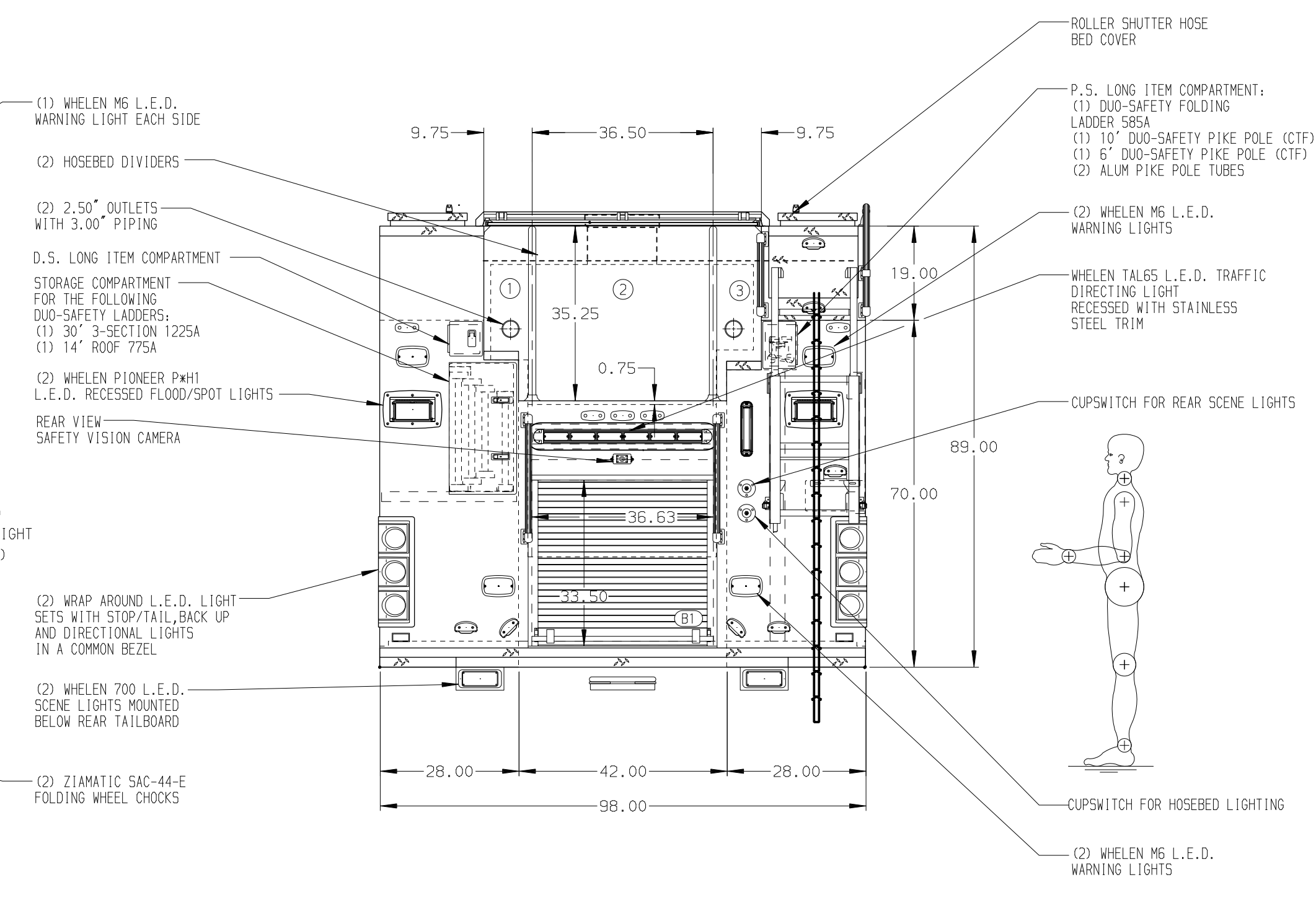
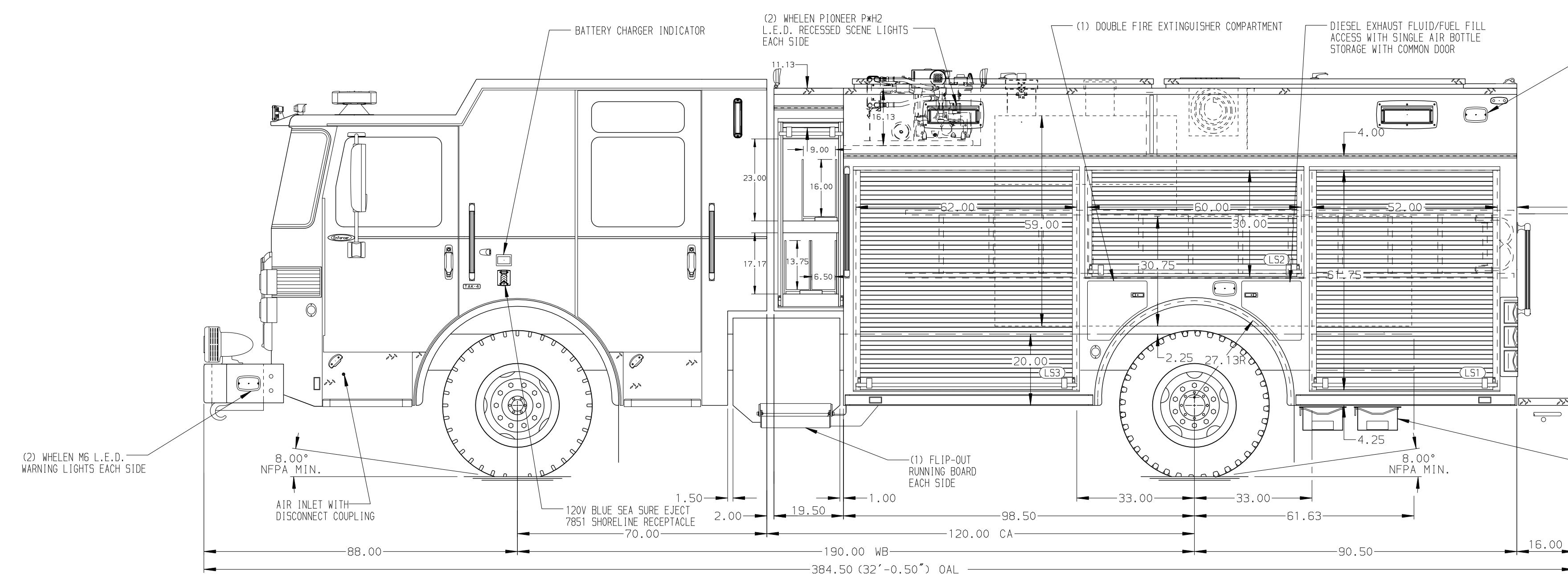


- HOSEBED CAPACITIES
- ① 300' OF 2.50" HOSE
 - ② 850' OF 5.00" HOSE
 - ③ 250' OF 2.50" HOSE



ALUMINUM BODY MAXIMUM O.A.L. 414.00" MAXIMUM O.A.H. 122.50" SIDE ROLL AND FRONTAL IMPACT PROTECTION

NOTE
DIMENSIONS SHOWN ARE APPROXIMATE AND ARE SUBJECT TO MINOR DEVIATIONS AS MAY OCCUR OR BE NECESSARY IN CONSTRUCTION. MINOR DETAILS NOT SHOWN.

1. BATTERY CHARGER LOCATED IN COMPARTMENT LS3
2. DUAL L.E.D. LIGHT STRIPS LOCATED IN HOSE BED
3. DRIP PAN GUARD FOR ROLL UP DOOR OVER THE CROSSLAY AREA EACH SIDE
4. FULL WIDTH/DEPTH ADJUSTABLE SHELVES THREE IN RS1, TWO IN LS1, AND ONE IN LS3 AND B1
5. ADJUSTABLE SLIDE-OUT TRAYS TWO IN RS1 AND ONE IN LS1 AND LS3
6. TWO ADJUSTABLE TILTING SLIDE-OUT TRAYS IN RS3 AND ONE IN RS2
7. ONE FLOOR MOUNTED SLIDE-OUT TRAY IN LS1, LS3, B1, RS1, AND RS3
8. ONE SWING-OUT ALUMINUM TOOL BOARD IN LS2
9. PAC TRAC ON THE REAR WALL OF LS2
10. ONE VERTICAL PARTITION IN RS1

11. HUSKY 12 FOAM SYSTEM
12. VANNER BRAVO 0BC10-12/120-60G, 1050W INVERTER IN B1

REV	DATE	BY	CH	ENFORCER
19FEB21	JWO	CHR		CHASSIS DATA
30NOV20	LST	CHR		MAKE
13OCT20	JWO	CHR		PIERCE
09OCT20	JWO	CHR		MODEL
10SEP20	JWO	CHR		

		JOB NO.	35114
		SCALE	1:24
TITLE 1500-D-750P, 720 GAL OF WATER W/ 30 GAL FOAM CELL 189" PUC RESCUE, LADDERS THRU BODY, (3) X-LAYS	FOR WEST UNIVERSITY PLACE HOUSTON, TEXAS	DRAWN BY	LST
		CHECKED BY	WKL
DWG NO. 35114AD	DATE 24JUN20	SHEET SIZE	D
		SHEET NO.	1 OF 1