

Pumper, PUC BODY

Pumper, PUC, Aluminum

CHASSIS

Enforcer Chassis, PUC

CHASSIS AXLE, FRONT, CUSTOM

18,000 Lb Dana Axle

AXLE, REAR

27,000 Lb Dana Axle

ENGINE

450 HP Cummins L9 Engine

TRANSMISSION

Allison 5th Gen, 3000 EVS P

BUMPER

19" Extended Painted Steel

CAB

7010 Enforcer Cab, PUC

BODY

WATER TANK

750 Gallon Poly Water Tank

COMPT, PUMPER, REAR

33.50" FF RollUp Rear Compt w/Tailboard, PUC

COMPT, PUMPER, LEFT SIDE

189" RollUp Full Height & Depth Front & Rear, PUC

COMPT, PUMPER, RIGHT SIDE

189" RollUp Full Height & Depth Front & Rear, PUC

FIRE SUPPRESSION PUMPHOUSE

Control Zone, PUC

PUMP

1500 GPM Pierce PUC

CROSSLAYS, 1.50"

(2) 1.50", Poly Trays, 200"

CROSSLAYS, 2.50"

2.50" Crosslay Not Required

GENERATOR

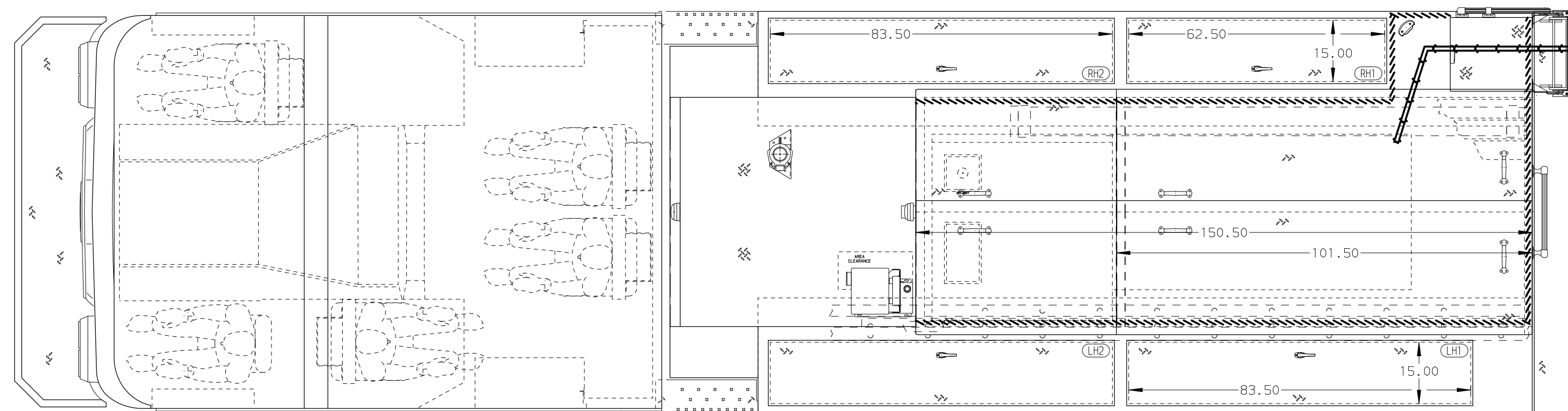
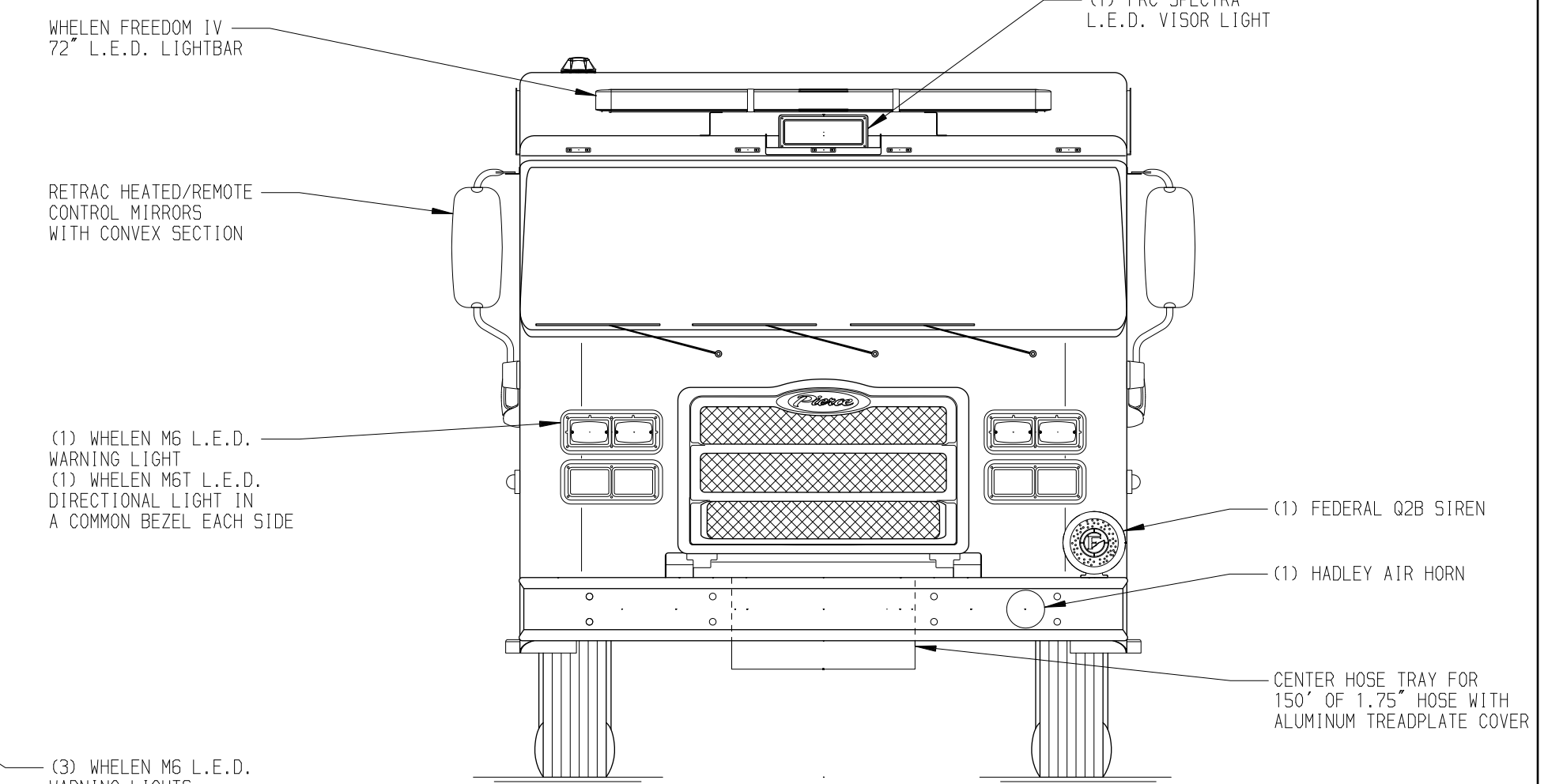
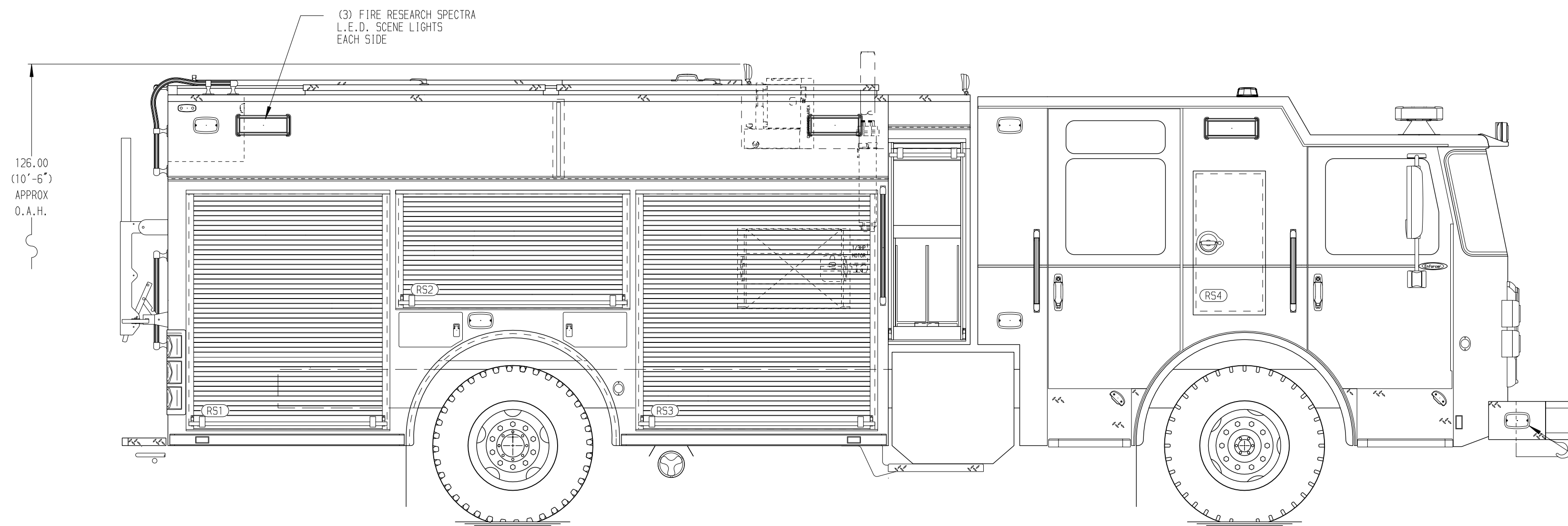
Generator Not Required

Foam System

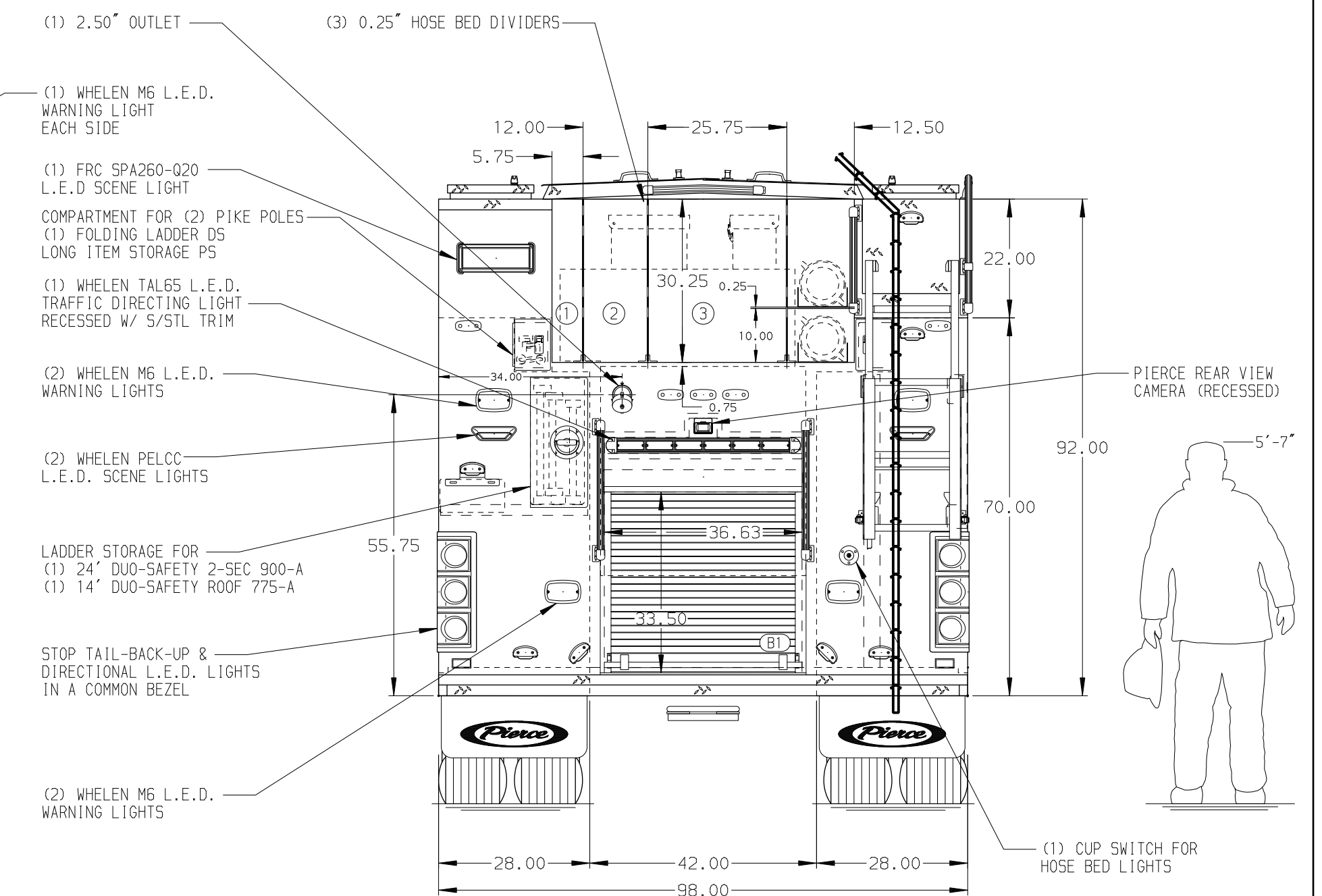
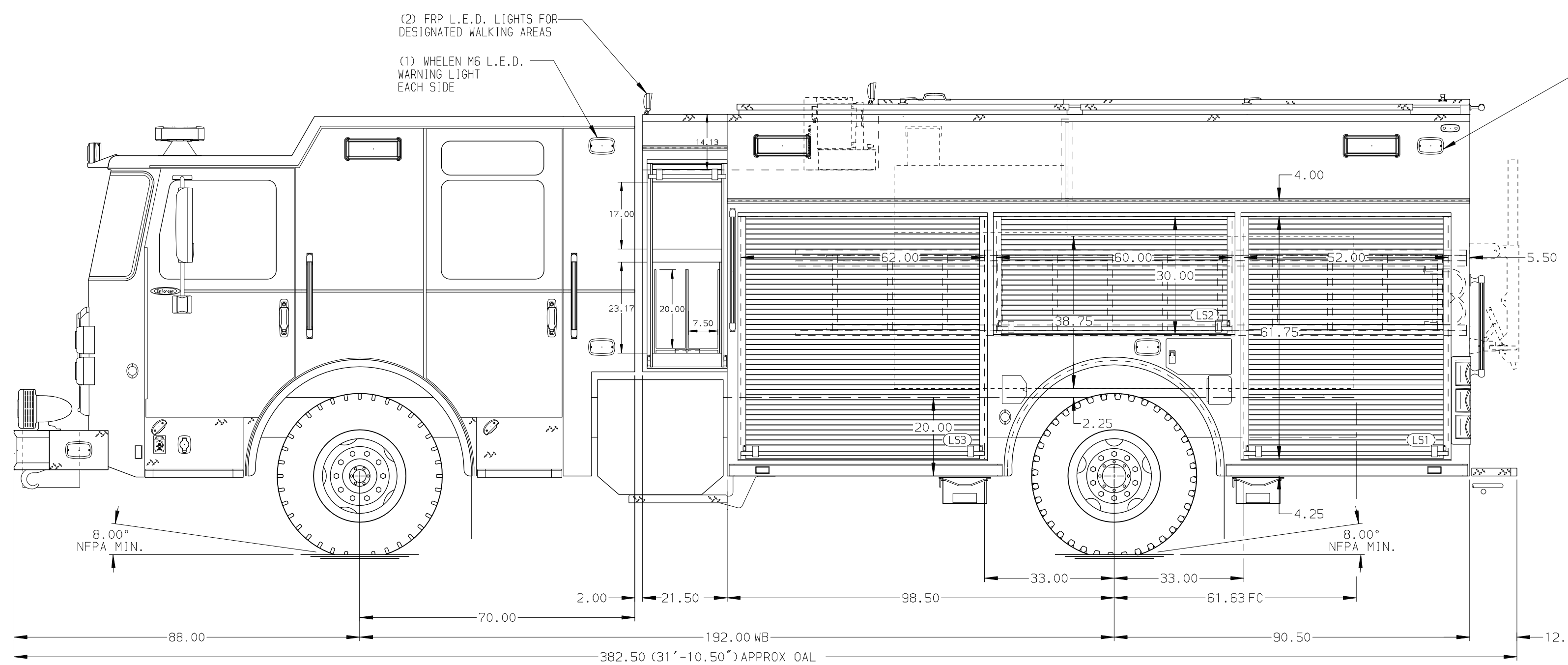
Husky 3 Single Agent Foam System

Foam Cell

30 Gallon Foam Cell, Not Reduced Water, PUC



HOSEBED CAPACITY	
BED 1	200' OF 2.50" D.J. POLY HOSE
BED 2	400' OF 3.00" D.J. POLY HOSE
BED 3	800' OF 5.00" D.J. POLY HOSE



NOTE
DIMENSIONS SHOWN ARE APPROXIMATE AND ARE SUBJECT TO MINOR DEVIATIONS AS MAY OCCUR OR BE NECESSARY IN CONSTRUCTION.
MINOR DETAILS NOT SHOWN.

- ONE 1.50 OUTLET WITH 2.00 PIPING AND SWIVEL LOCATED IN CENTER BUMPER TRAY
- SHORELINE RECEPTACLE WITH KUSSMAUL SUPER AUTO-EJECT LOCATED IN DRIVER SIDE STEP WELL
- AIR INLET WITH KUSSMAUL AUTO EJECT LOCATED IN THE DRIVER SIDE STEPWELL
- BATTERY CHARGER LOCATED IN COMPARTMENT PER SHOP ORDER
- BATTERY CHARGE INDICATOR LOCATED ON THE DRIVER SIDE SEAT RISER
- EIGHT ADJUSTABLE SHELVES LOCATED PER SHOP ORDER
- TWO FLOOR MOUNTED SLIDE-OUT TRAYS LOCATED PER SHOP ORDER
- ONE SWING-OUT ALUMINUM TOOL BOARD LOCATED PER SHOP ORDER
- AUTOMATIC TIRE CHAINS
- ONE 120V 6-PLACE RECEPTACLE STRIP LOCATED PER SHOP ORDER
- HANNAY BOOSTER REEL (GF32-21-22-B) FOR 200' OF 1.00" BOOSTER HOSE LOCATED IN COMPARTMENT PER SHOP ORDER

REV	DATE	BY	CH	ENFORCER
06AUG20	MMF	CHR		
25JUN20	MMF	CHR		

Pierce MANUFACTURING INC.		JOB NO.	35051 01-02
		SCALE	1:24
		DATE	11MAY20
		DRAWN BY	MMF
		CHECKED BY	NPE
		SHEET SIZE	14MAY20
		SHEET NO.	1 OF 1
TITLE	Pierce PUC Pumper Approval Drawing	DWG NO.	35051AD
FOR	North Lyon County Fire Protection District		