

PUMPER BODY
Medium Aluminum 2nd Gen Pumper

CHASSIS
Arrow XT Chassis

CHASSIS AXLE, FRONT, CUSTOM
22,800 Lb TAK-4 Axle

AXLE, REAR
24,000 Lb Meritor Axle

ENGINE
450 HP Cummins L9 Engine

TRANSMISSION
Allison 5th Gen, 3000 EVS P

BUMPER
19" Extended Painted Steel

CAB
6710 Arrow XT Cab

BODY WATER TANK
750 Gallon New York Style Water Tank

COMPT, PUMPER, REAR
30.75" FF RollUp Rear Compt

COMPT, PUMPER, LEFT SIDE
152" RollUp Full Height Front & Rear FDLR

COMPT, PUMPER, RIGHT SIDE
152" RollUp Full Height Front & Rear FDLR

FIRE SUPPRESSION PUMPHOUSE
52" Control Zone Side Mount

PUMP
1500 GPM Waterous CSU

CROSSLAYS, 1.50"
(2) 1.50" Standard Capacity

CROSSLAYS, 2.50"
(1) 2.50" Standard Capacity

SPEEDLAYS
Speedlays Not Required

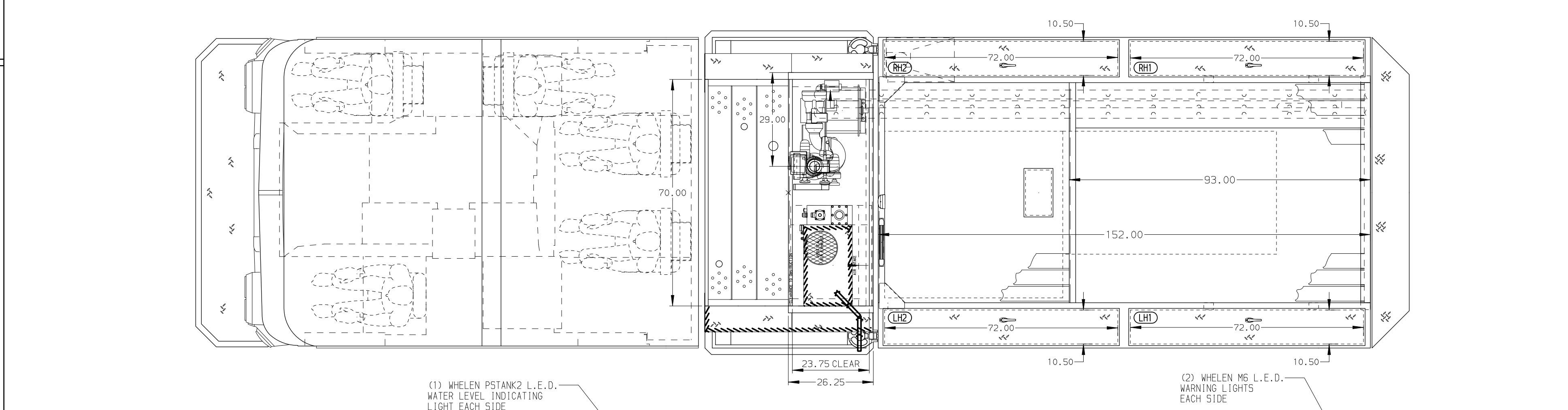
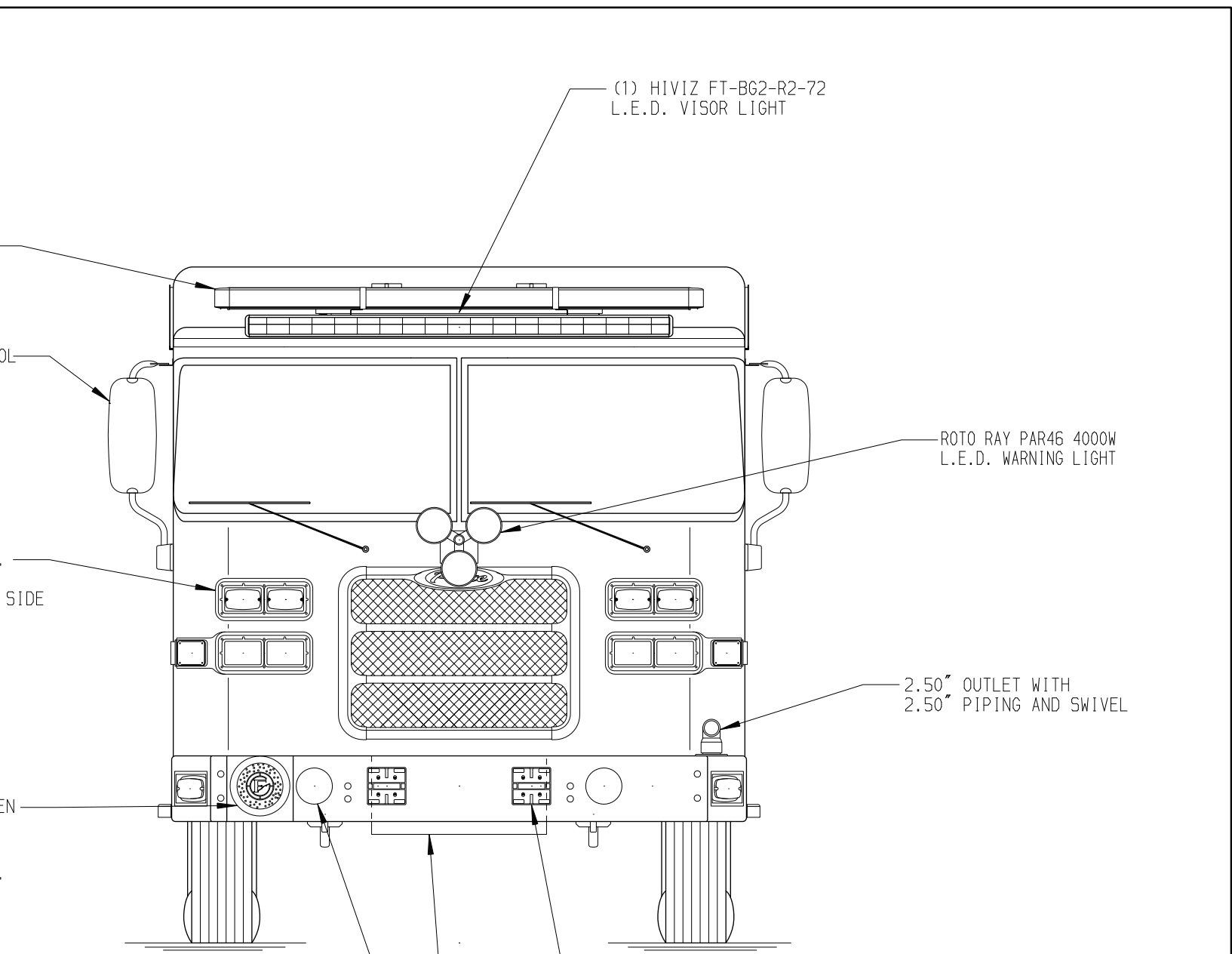
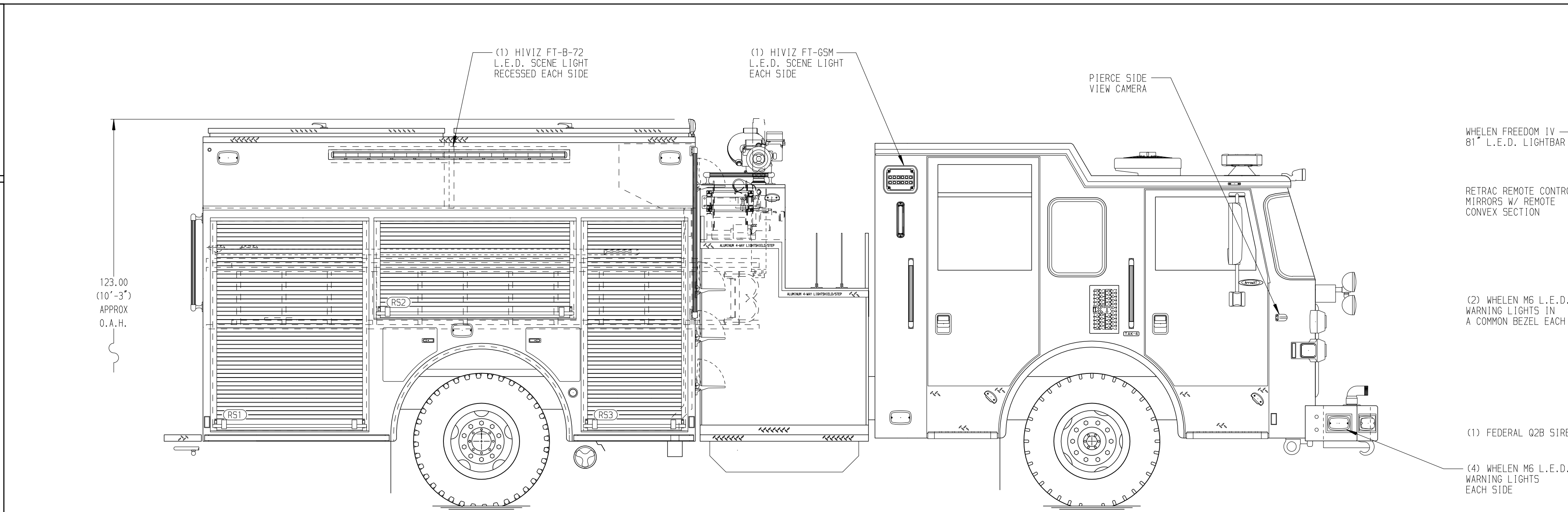
GENERATOR
Harrison MSV 6kW Hydraulic Generator

Foam System
Foam System Not Required

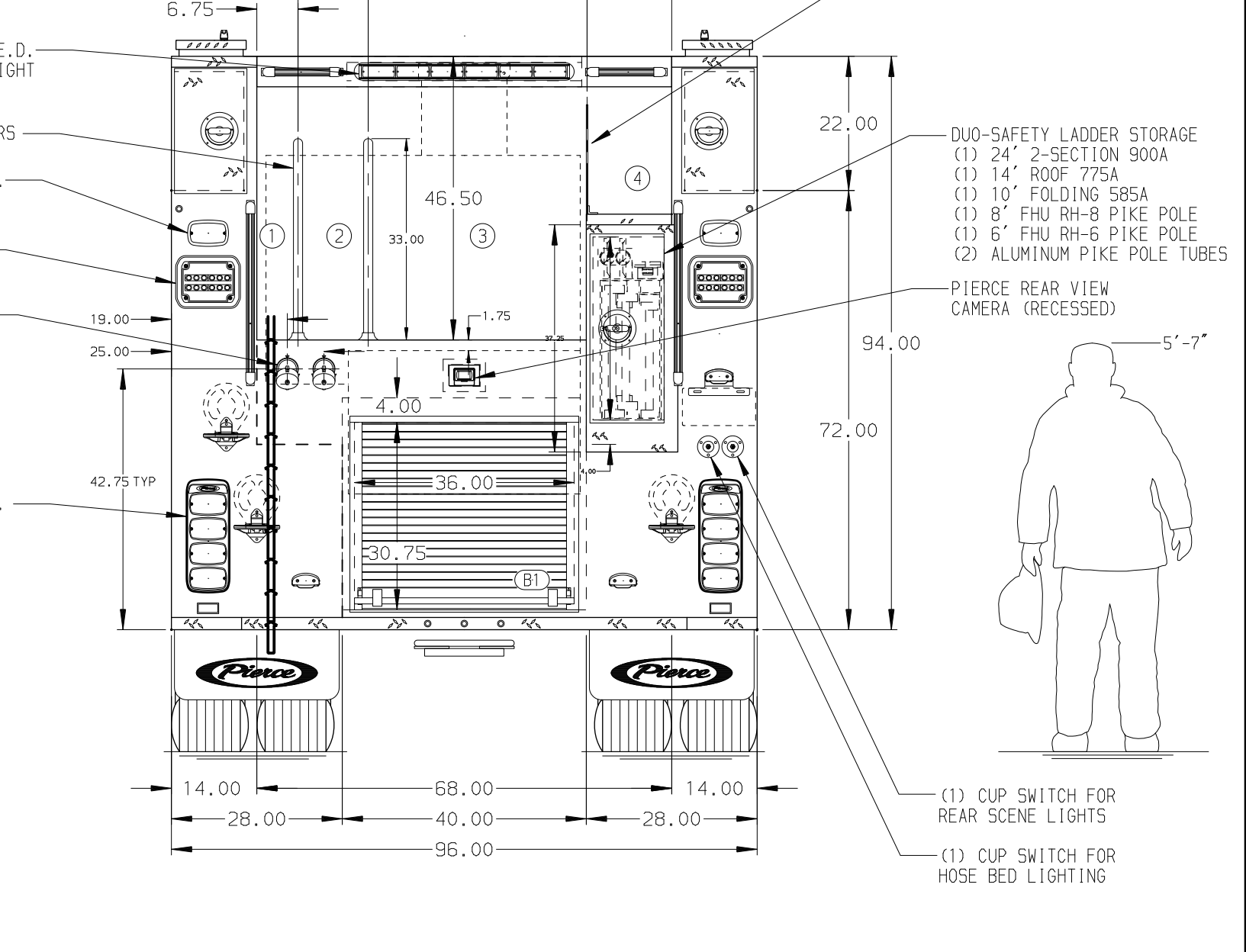
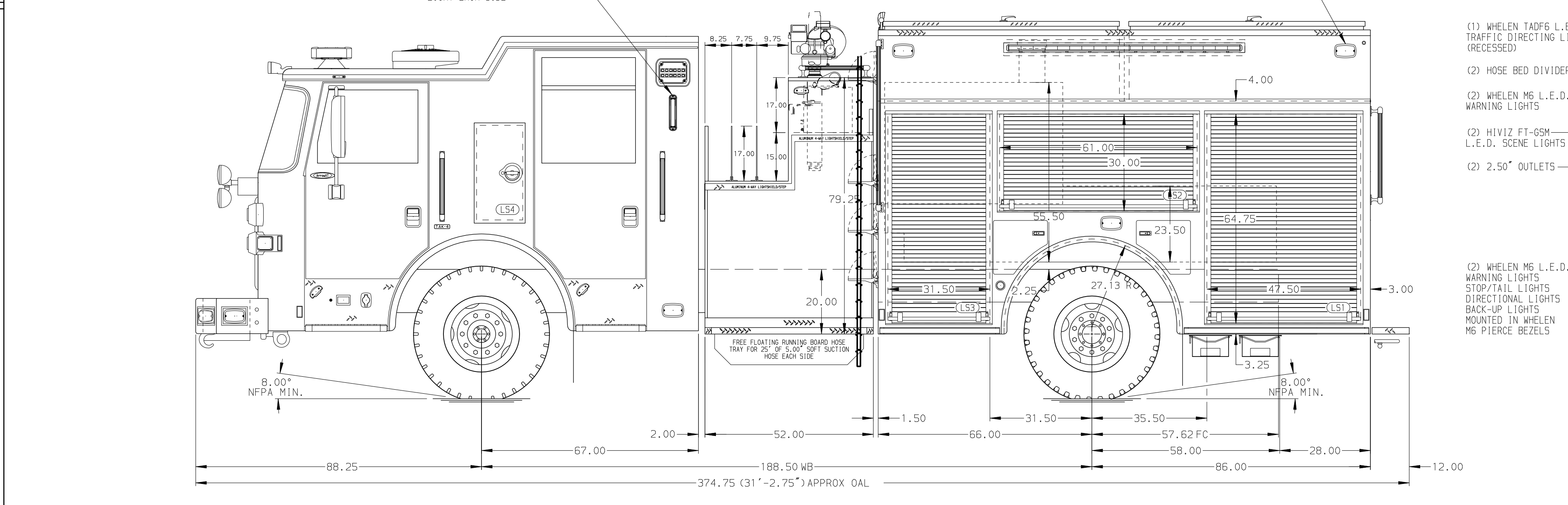
Foam Cell
Foam Cell Not Required

Side Roll and Frontal Impact Protection

NOTE
DIMENSIONS SHOWN ARE APPROXIMATE AND ARE SUBJECT TO MINOR DEVIATIONS AS MAY OCCUR OR BE NECESSARY IN CONSTRUCTION. MINOR DETAILS NOT SHOWN.



HOSEBED CAPACITY	
BED 1	200' OF 2.5" D.J. POLY HOSE
BED 2	600' OF 2.5" D.J. POLY HOSE
BED 3	1000' OF 4.0" D.J. POLY HOSE
BED 4	OPEN AREA



- AIR OUTLET WITH SHUT OFF VALVE LOCATED ON DRIVER SIDE PUMP PANEL
- SHORELINE RECEPTACLE WITH KUSSMAUL SUPER AUTO-EJECT LOCATED IN DRIVER SIDE STEP WELL
- AIR INLET WITH DISCONNECT COUPLING IN THE DRIVER SIDE STEP WELL
- BATTERY CHARGER LOCATED IN CAB
- BATTERY CHARGE INDICATOR LOCATED IN DRIVER SIDE STEP WELL
- FIVE ADJUSTABLE SHELVES LOCATED PER SHOP ORDER
- FIVE FLOOR MOUNTED SLIDE-OUT TRAYS LOCATED PER SHOP ORDER
- ONE SWING-OUT TOOLBOARD LOCATED PER SHOP ORDER
- CIRCUIT BREAKER PANEL LOCATED PER SHOP ORDER
- ALUMINUM MOUNTING PLATE LOCATED PER SHOP ORDER
- ONE VERTICAL PARTITION LOCATED IN HATCH COMPARTMENT PER SHOP ORDER
- HANNAY CABLE REEL MODEL 1618-17-18 WITH CAPACITY FOR 200' OF 10/3 CABLE LOCATED IN CARGO AREA
- 100LB OIL DRY HOPPER LOCATED IN RH2

REV	DATE	BY	CH	ARROW XT
15DEC20	MMF	CHR		CHASSIS DATA
21SEP20	MMF	CHR		PIERCE
10AUG20	COL	CHR		MODEL
25JUN20	MMF	NPE		

		JOB NO.	35020
		SCALE	1:24
Pierce MANUFACTURING INC.		TITLE	Pierce Pumper Approval Drawing
		FOR	Terrytown 5th District Fire Department
35020AD		CHECKED BY	NPE
		SHEET SIZE	D
DWG NO.		DRAWN BY	MMF
		CHECKED BY	NPE
DATE		SHEET NO.	1 OF 1
		DATE	25JUN20