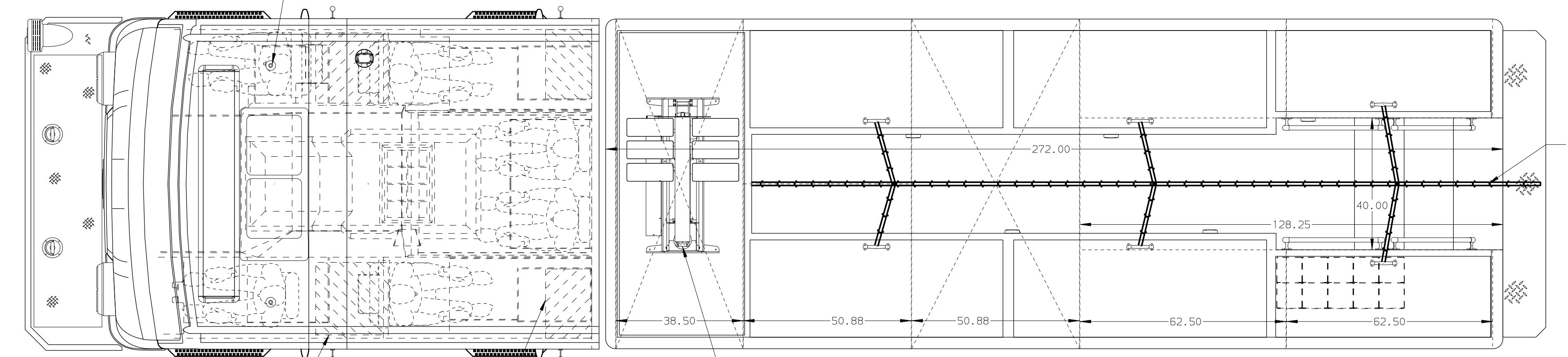
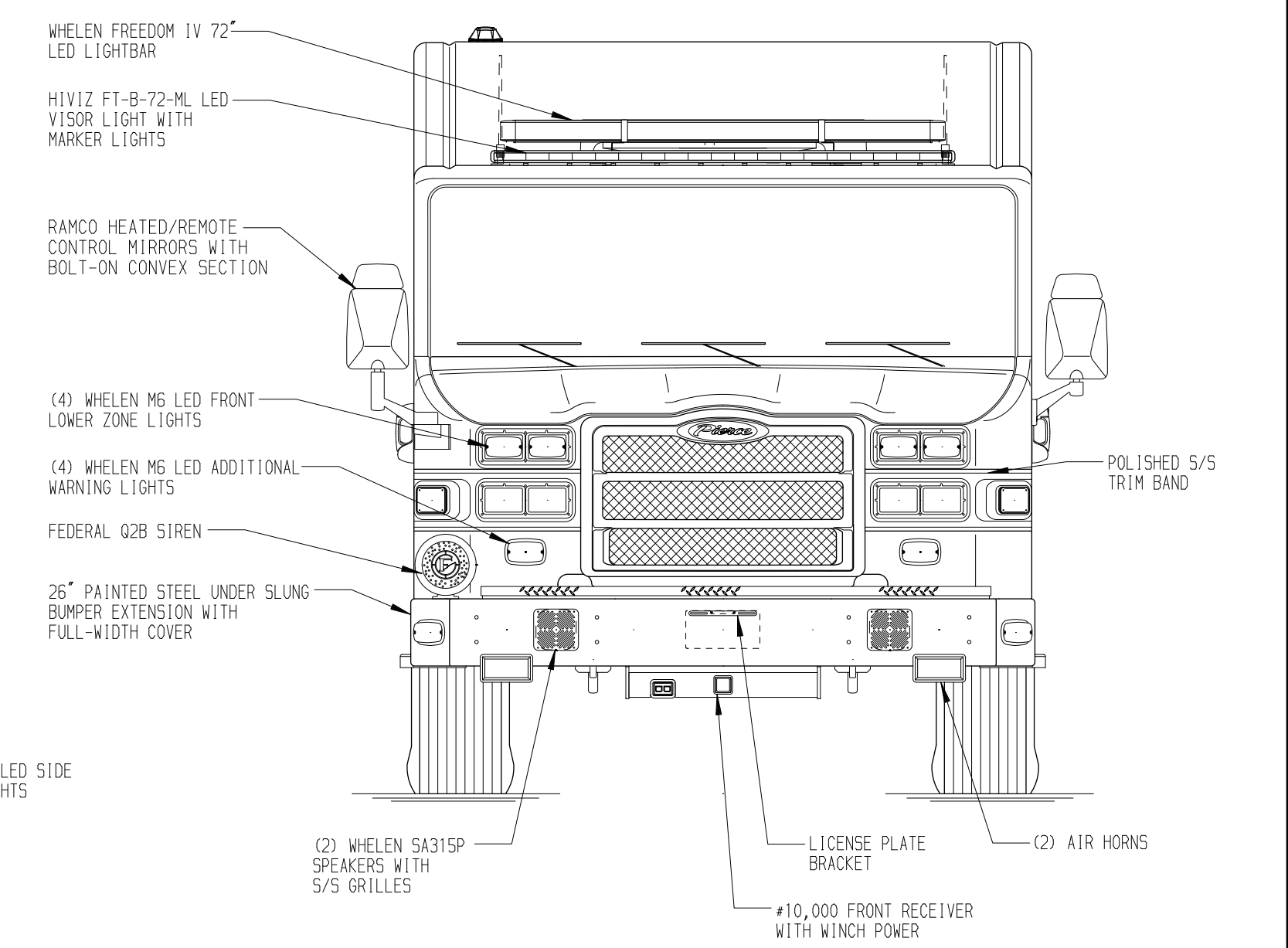
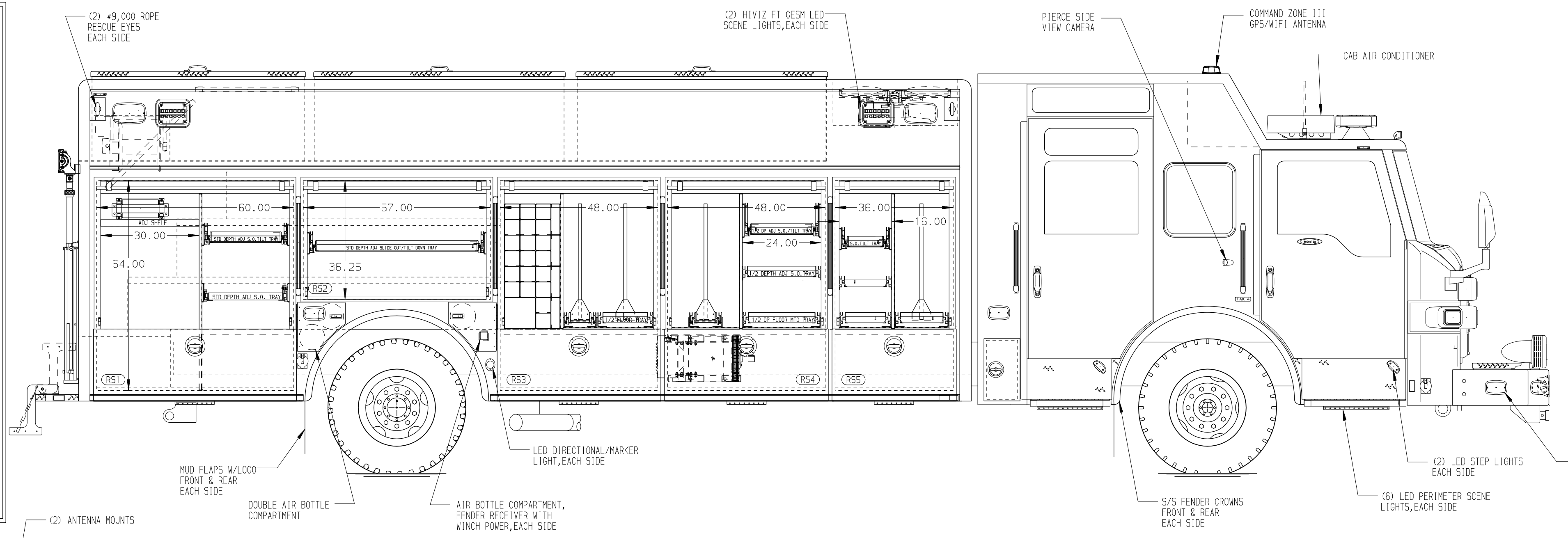
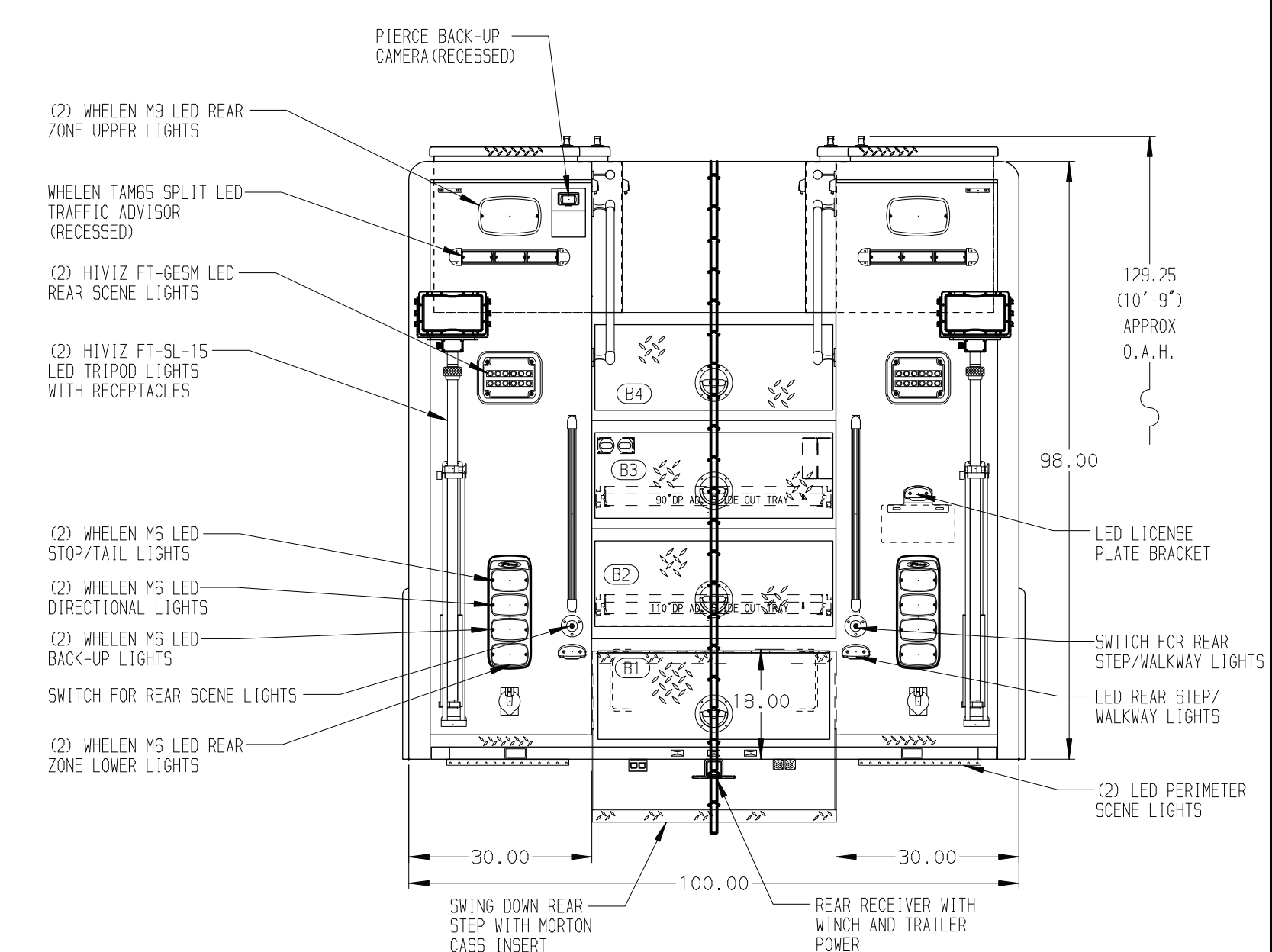
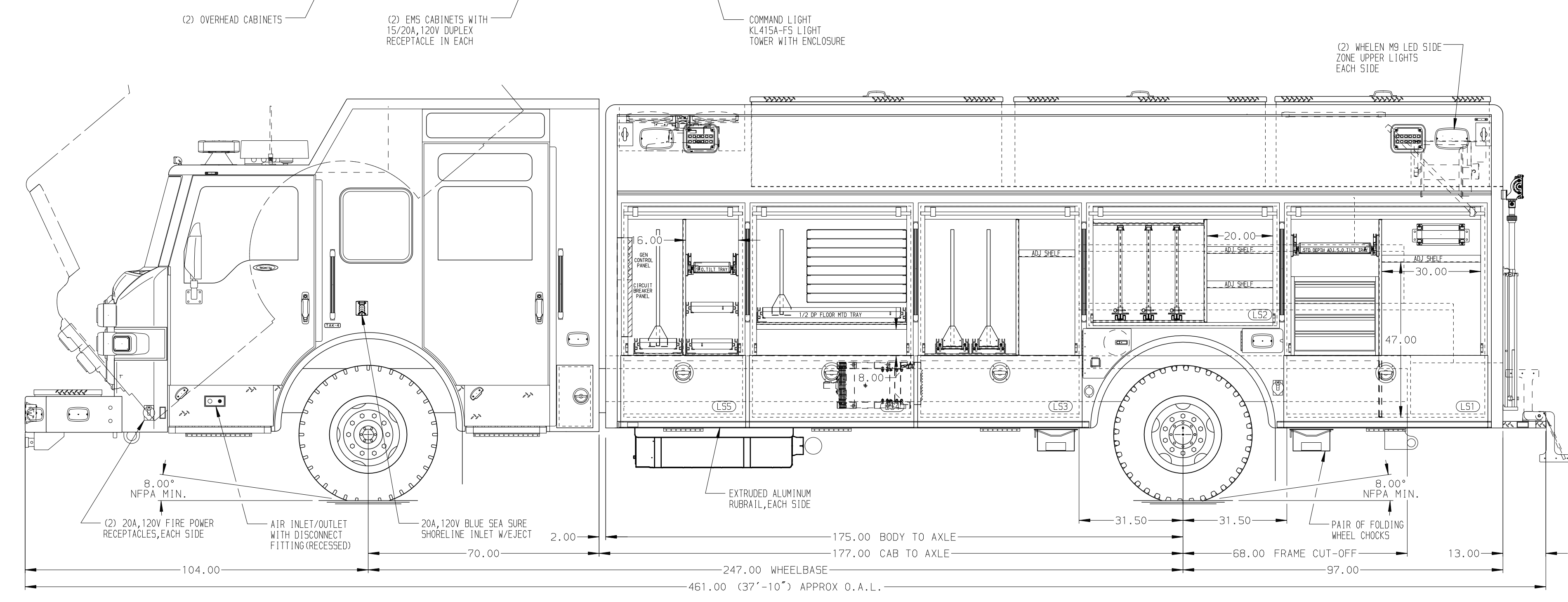


- RIGHT SIDE COMPARTMENTS CONTAIN THE FOLLOWING:**
- COMPARTMENT RS1 CONTAINS:
    - (1) HORIZONTAL FLOOR EXTENSION
    - (1) VERTICAL COMPARTMENT DIVIDER
    - (1) STD DEPTH ADJ SHELF
    - (1) STD DEPTH ADJ SLIDE OUT TRAY
    - (1) STD DEPTH ADJ SLIDE OUT/TILT TRAY
    - (1) ELECTRIC CORD REEL WITH 200' OF 10/3 YELLOW CORD
  - COMPARTMENT RS2 CONTAINS:
    - (1) STD DEPTH ADJ SLIDE OUT/TILT TRAY
  - COMPARTMENT RS3 CONTAINS:
    - (1) VERTICAL COMPARTMENT DIVIDER
    - (1) HORIZONTAL FLOOR EXTENSION
    - (1) 1/2 DEPTH FLOOR MTD SLIDE OUT TRAY WITH TOOLBOARD
    - (1) 1/2 DEPTH FLOOR MTD SLIDE OUT TOOLBOARD
    - (1) EQUIPMENT RACK
  - COMPARTMENT RS4 CONTAINS:
    - (1) VERTICAL COMPARTMENT DIVIDER
    - (1) HORIZONTAL FLOOR EXTENSION
    - (1) 1/2 DEPTH ADJ SLIDE OUT TRAY
    - (1) 1/2 DEPTH ADJ SLIDE OUT/TILT TRAY
    - (1) 1/2 DEPTH FLOOR MTD SLIDE OUT TRAY
    - (1) 1/2 DEPTH FLOOR MTD SLIDE OUT TOOLBOARD
    - (1) VERTICAL REAR WALL DIVIDER
  - COMPARTMENT RS5 CONTAINS:
    - (1) VERTICAL COMPARTMENT DIVIDER
    - (1) HORIZONTAL FLOOR EXTENSION
    - (1) 1/2 DEPTH ADJ SLIDE OUT TRAY
    - (1) 1/2 DEPTH ADJ SLIDE OUT/TILT TRAY
    - (1) 1/2 DEPTH FLOOR MTD SLIDE OUT TRAY
    - (1) 1/2 DEPTH FLOOR MTD SLIDE OUT TRAY WITH TOOLBOARD



- LEFT SIDE COMPARTMENTS CONTAIN THE FOLLOWING:**
- COMPARTMENT LS1 CONTAINS:
    - (1) HORIZONTAL FLOOR EXTENSION
    - (1) 4-DRAWER C-TECH CABINET
    - (1) STD DEPTH ADJ SHELF
    - (1) STD DEPTH ADJ SLIDE OUT/TILT TRAY
    - (1) ELECTRIC CORD REEL WITH 200' OF 10/3 YELLOW CORD
    - (1) VERTICAL COMPARTMENT DIVIDER
  - COMPARTMENT LS2 CONTAINS:
    - (1) VERTICAL COMPARTMENT DIVIDER
    - (2) STD DEPTH ADJ SHELVES
    - (1) STD DEPTH ADJ SLIDE OUT TOOLBOARDS
  - COMPARTMENT LS3 CONTAINS:
    - (1) VERTICAL COMPARTMENT DIVIDER
    - (1) HORIZONTAL FLOOR EXTENSION
    - (1) 15\"/>
  - COMPARTMENT LS4 CONTAINS:
    - (1) VERTICAL COMPARTMENT DIVIDER
    - (1) HORIZONTAL FLOOR EXTENSION
    - (1) 8\"/>
  - COMPARTMENT LS5 CONTAINS:
    - (1) CIRCUIT BREAKER PANEL
    - (1) GENERATOR METER PANEL
    - (1) COMMAND LIGHT CONTROLLER
    - (1) VERTICAL COMPARTMENT DIVIDER
    - (1) HORIZONTAL FLOOR EXTENSION
    - (1) 1/2 DEPTH ADJ SLIDE OUT TRAY
    - (1) 1/2 DEPTH FLOOR MTD SLIDE OUT/TILT TRAY
    - (1) 1/2 DEPTH FLOOR MTD SLIDE OUT TRAY WITH TOOLBOARD

- REAR COMPARTMENT CONTAINS THE FOLLOWING:**
- COMPARTMENT B1 CONTAINS:
    -
  - COMPARTMENT B2 CONTAINS:
    - (1) 107\"/>
  - COMPARTMENT B3 CONTAINS:
    - (1) 90\"/>
  - COMPARTMENT B4 CONTAINS:
    -



**NOTE**  
DIMENSIONS SHOWN ARE APPROXIMATE AND ARE SUBJECT TO MINOR DEVIATIONS AS MAY OCCUR OR BE NECESSARY IN CONSTRUCTION. MINOR DETAILS NOT SHOWN.

- NOTES:**
- WARN #9,000 PORTABLE WINCH
  - POLISHED 5/5 SCUFFPLATES ON CAB AND CREW CAB DOOR JAMBS
  - FLOOR IN CAB AND CREW CAB TO BE PADDED RUBBER
  - 5/5 SCUFFPLATES ON THE EDGE OF THE SWING DOWN LOWER LAP DOORS ON THE BODY COMPARTMENTS
  - 5/5 GUARDS ON ALL BODY ROLL-UP DOORS
  - AMOR LED COMPARTMENT LIGHTS IN ALL BODY AND HATCH COMPARTMENTS
  - ONAN 15KW SINGLE PHASE PTO DRIVEN GENERATOR WITH SPLASH GUARD LOCATED BETWEEN THE FRAME RAILS
  - RACK FOR 10 SCBA BOTTLES IN HATCH COMPARTMENT ABOVE LS1
  - DRY-DECK MATTING ON ALL BODY COMPARTMENT SHELVES AND TRAYS

MAXIMUM O.A.H. 10'-9"  
SIDE ROLL AND FRONTAL IMPACT PROTECTION

CLEAR DOOR WIDTH KEY		CHASSIS DATA	
AMOR ROLL UP DOORS:	-2 1/4"	28APR20	DHE CDK
CORTITE ROLL UP DOORS:	-2 1/2"	20FEB20	DHE CDK
PIERCE DOUBLE LAP DOORS:	-4 1/4"	15JAN20	DHE CDK
PIERCE LIFT-UP LAP DOORS:	-1 1/2"		
(EX: 60" F-F - 2 1/4" = 57 3/4" CLEAR)		REV	DATE BY CH
			VXFR7020

		JOB NO.	34549
		SCALE	DATE
TITLE	HEAVY DUTY RESCUE NON-WALKIN	DRAWN BY	DHE 07JAN20
FOR	CITY OF CORPUS CHRISTI CORPUS CHRISTI, TX	CHECKED BY	CDK 8JAN20
DWG NO.	34549AD	SHEET SIZE	SHEET NO. 1 OF 1
		GREG TATSCH	