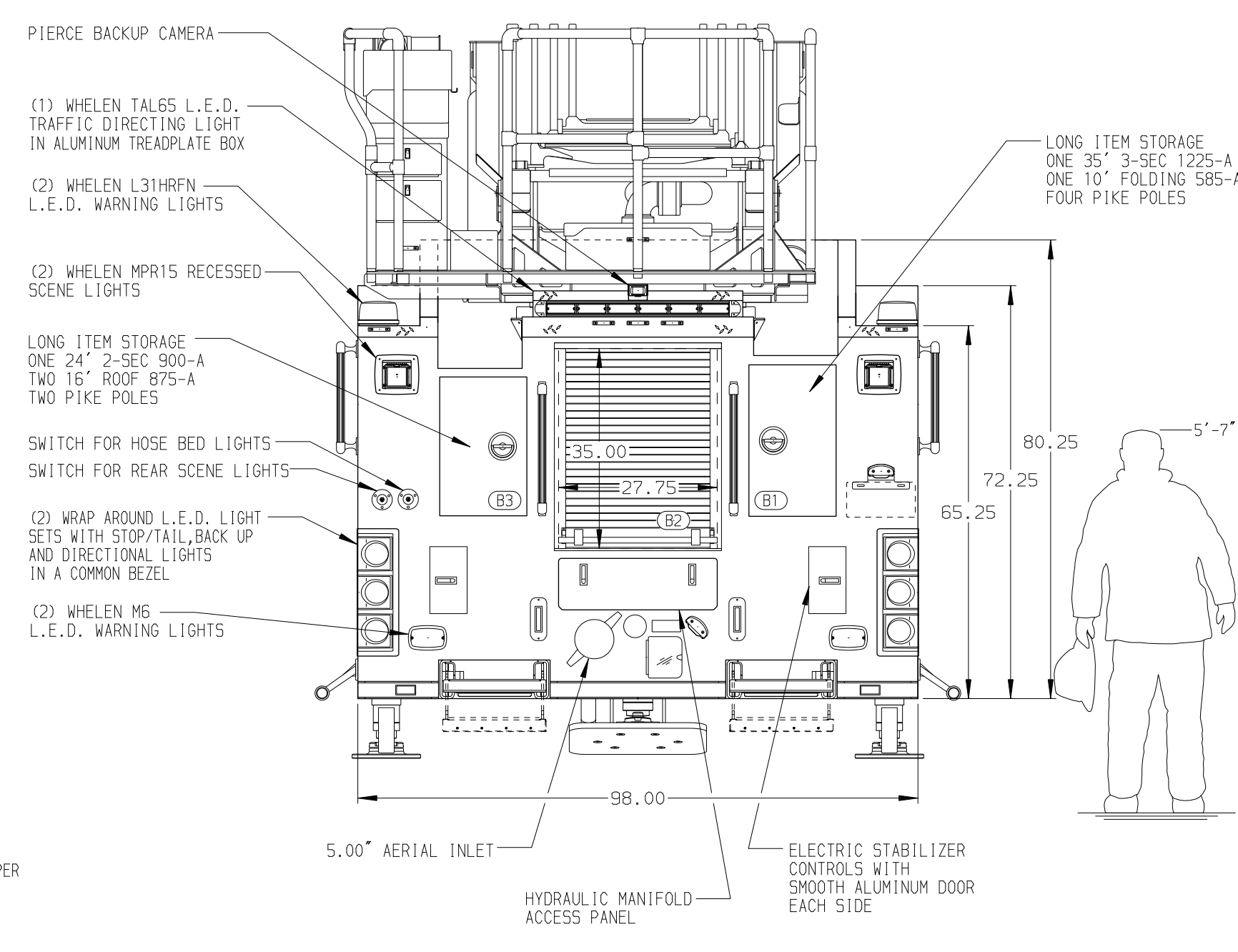
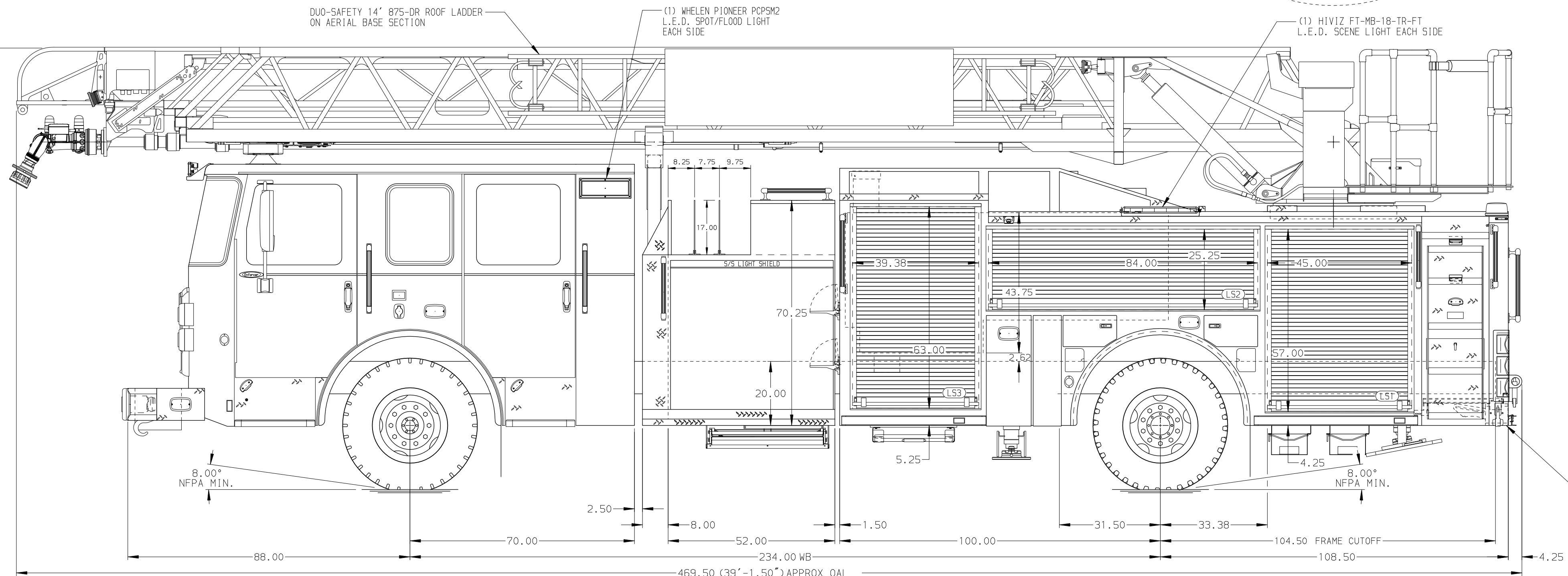


BODY	WATER TANK
107' ASL Aluminum Body	480 Gallon Poly Water Tank
COMPT, LEFT SIDE FRONT	Foam System
Full Height RollUp Forward	Plumbing For Future Husky Foam System
COMPT, LEFT SIDE REAR	Foam Cell
Full Height RollUp Rearward	20 Gallon Foam Cell, Reduced Water
COMPT, RIGHT SIDE FRONT	
Full Height RollUp Forward	
COMPT, RIGHT SIDE REAR	
Full Height RollUp Rearward	



CHASSIS	CAB	AXLE, FRONT, CUSTOM	TRANSMISSION	PUMPHOUSE	CROSSLAYS, 1.50"	SPEEDLAYS	CUSTOMER APPROVAL	PIERCE MANUFACTURING INC.		JOB NO.
Enforcer Chassis	7000 Enforcer Cab	22,800 Lb Dana Axle	Allison 5th Gen, 3000 EVS P	52" Control Zone Side Mount	(2) 1.50" Standard Capacity	Speedlays Not Required	APPROVED BY: _____			34094
ENGINE	BUMPER	AXLE, REAR		PUMP	CROSSLAYS, 2.50"	GENERATOR	DATE: _____			TITLE
450 HP Cummins L9 Engine	19" Extended Stainless Steel	33,500 Lb Meritor Axle		2000 GPM Waterous CSU	(1) 2.50" Standard Capacity	Generator Not Required		FOR	1:24	
<b>NOTE</b> DIMENSIONS SHOWN ARE APPROXIMATE AND ARE SUBJECT TO MINOR DEVIATIONS AS MAY OCCUR OR BE NECESSARY IN CONSTRUCTION. MINOR DETAILS NOT SHOWN.								PIERCE	PIERCE FIELD UNIT	DRAWN BY
								MODEL	APPLETON, WI	TKA
1. ONE 1.50 OUTLET WITH 2.00 PIPING AND SWIVEL LOCATED IN CENTER BUMPER TRAY 2. SHOVEL TINE RECEPTACLE WITH KUSSMAUL SUPER AUTO-EJECT LOCATED ON DRIVER SIDE OF THE CAB 3. AIR INLET WITH DISCONNECT COUPLING IN THE DRIVER SIDE STEPWELL 4. BATTERY CHARGER LOCATED BEHIND DRIVER SEAT 5. BATTERY CHARGE INDICATOR LOCATED ON DRIVERS SIDE CAB 6. SIX ADJUSTABLE SHELVES IN COMPARTMENTS PER SHOP ORDER 7. FOUR FLOOR MOUNTED SLIDE-OUT TRAYS IN COMPARTMENTS PER SHOP ORDER 8. DUAL L.E.D. LIGHT STRIPS LOCATED IN HOSE BED 9. NON-RAISED AERIAL PEDESTAL 10. 1500 GPM HIGH FLOW WATERWAY 11. NO LIMITED RETRACTION								ENFORCER	DWG NO.	CHECKED BY
								REV	DATE	BY
									D	1 OF 1