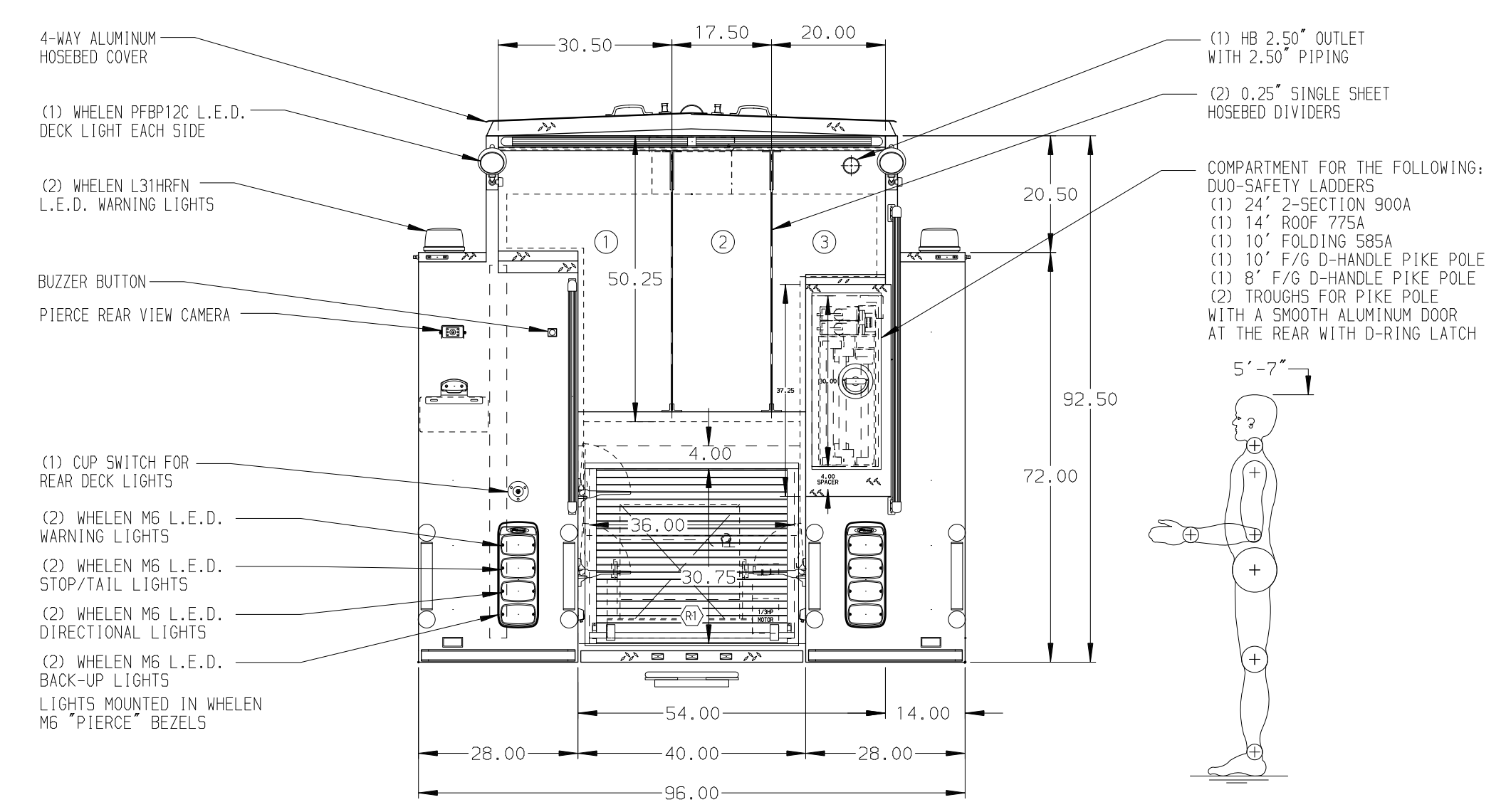


- HOSEBED CAPACITIES**
- ① 1000' OF 5.00" D.J. POLY HOSE
 - ② 500' OF 3.00" D.J. POLY HOSE
 - ③ 500' OF 3.00" D.J. POLY HOSE



ALUMINUM BODY

NOTE
 DIMENSIONS SHOWN ARE APPROXIMATE AND ARE SUBJECT TO MINOR DEVIATIONS AS MAY OCCUR OR BE NECESSARY IN CONSTRUCTION. MINOR DETAILS NOT SHOWN.

1. AIR INLET/OUTLET W/DISCONNECT FITTING LOCATED ON DRIVER'S SIDE PUMP PANEL
2. BATTERY CHARGER LOCATED BEHIND DRIVER'S SEAT
3. BATTERY CHARGE INDICATOR LOCATED ON DRIVER'S SEAT RISER
4. ONE FIXED FULL WIDTH/DEPTH SHELF IN COMPARTMENT P1, P2 & P3
5. STORAGE UNIT WITH THREE TRAYS LOCATED IN COMPARTMENT D3
6. ONE ADJUSTABLE TILTING SLIDE-OUT TRAY IN COMPARTMENT D1 & D2
7. ONE FLOOR MOUNTED SLIDE-OUT TRAY IN COMPARTMENT D1 & P1
8. ONE SLIDE-OUT TOOLBOARD WITH PEGBOARD IN COMPARTMENT D3
9. ONE SLIDE-OUT ALUMINUM TOOL BOARD WITH PAC TRAC IN COMPARTMENT P3
10. ONE SLIDE-OUT TOOLBOARD IN COMPARTMENT D3
11. ONE TOOL BOARD MOUNTED TO TRACKS ON THE REAR WALL OF COMPARTMENT P2 & P3
12. ONE HANNAY BOOSTER REEL (MODEL:EP28-23-24) WITH CAPACITY FOR 200' OF 0.75" HOSE LOCATED IN COMPARTMENT R1

REV	DATE	BY	CH	ENFORCER
19JAN18	22DEC17	AMI	LST	CHR

		JOB NO.	31892
		SCALE	1:24
Pierce MANUFACTURING INC.	TITLE	1500-D-500 WATER/20 FOAM, 152" BODY, SIDE CONTROL CROSSLAYS, DELUGE, LADDERS THRU BODY	
	FOR	SULPHUR FIRE DEPARTMENT SULPHUR, LOUISIANA	
DWG NO.	31892AD		
DRAWN BY	AMI	CHECKED BY	CCA
DATE	10NOV17	SHEET SIZE	D
SHEET NO.	1 OF 1		