

**PUMPER
BODY**

Medium Aluminum 2nd Gen Pumper

CHASSIS

Sober FR Chassis

**CHASSIS
AXLE, FRONT, CUSTOM**

18,000 Lb Dana Axle

AXLE, REAR

24,000 Lb Dana Axle

ENGINE

370 HP Cummins L9 Engine

TRANSMISSION

Allison 5th Gen, 3000 EVS P

BUMPER

22" Extended Stainless Steel

CAB

6010 Sober FR Cab

**BODY
WATER TANK**

500 Gallon Poly Water Tank

COMPT, PUMPER, REAR

30.75" FF RollUp Rear Compt

COMPT, PUMPER, DRIVER SIDE

152" RollUp Full Height Front & Rear FDLR

COMPT, PUMPER PASS. SIDE

152" RollUp Full Height Front & Rear FDLR

**FIRE SUPPRESSION
PUMPHOUSE**

52" Control Zone Side Mount

PUMP

1500 GPM Hale D5D

CROSSLAYS, 1.50"

(2) 1.50" Standard Capacity

CROSSLAYS, 2.50"

2.50" Crosslay Not Required

SPEEDLAYS

Speedlays Not Required

GENERATOR

Generator Not Required

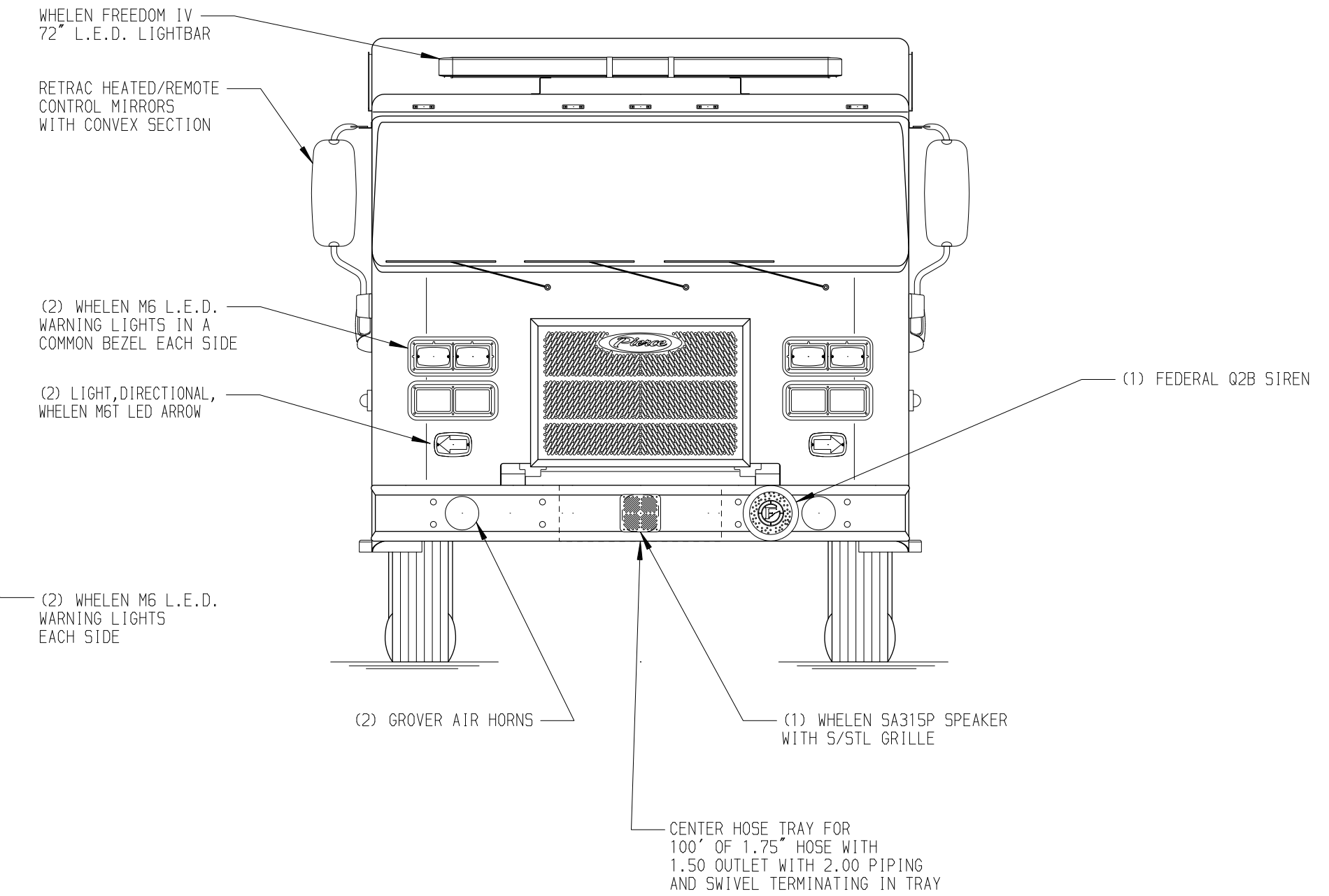
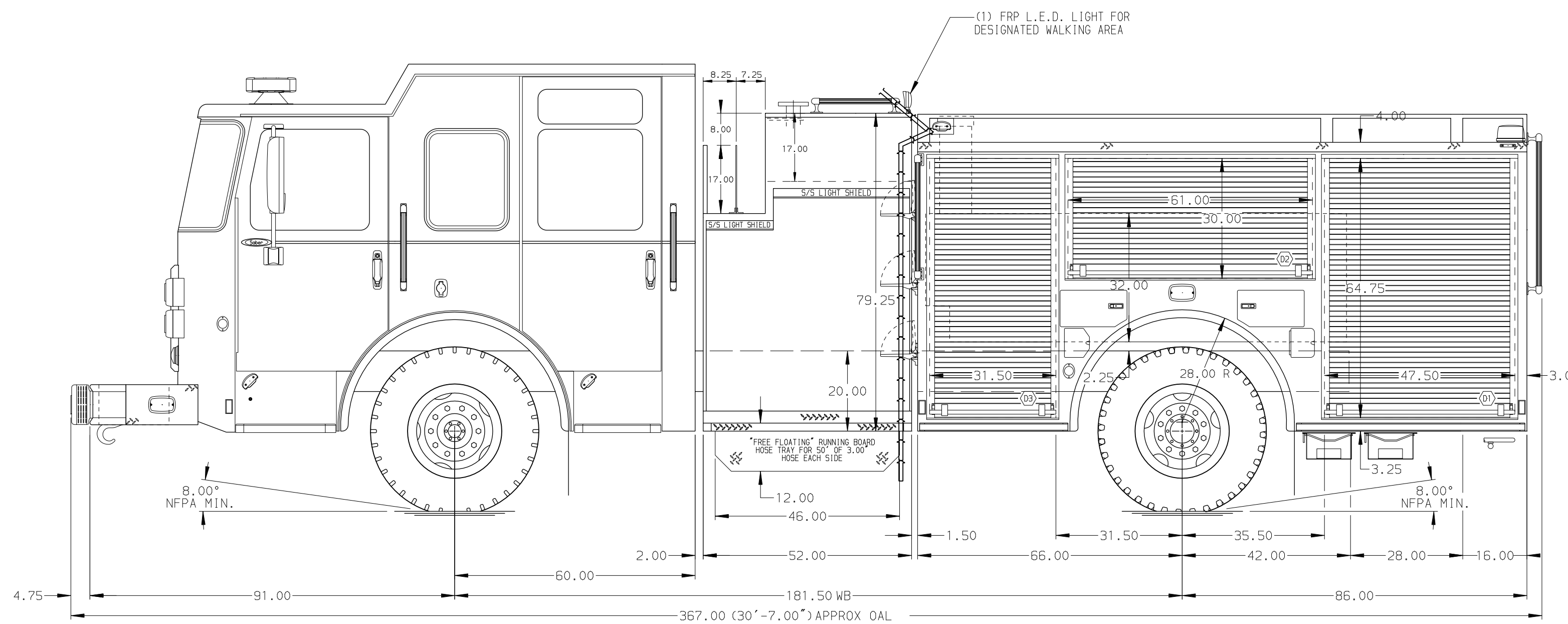
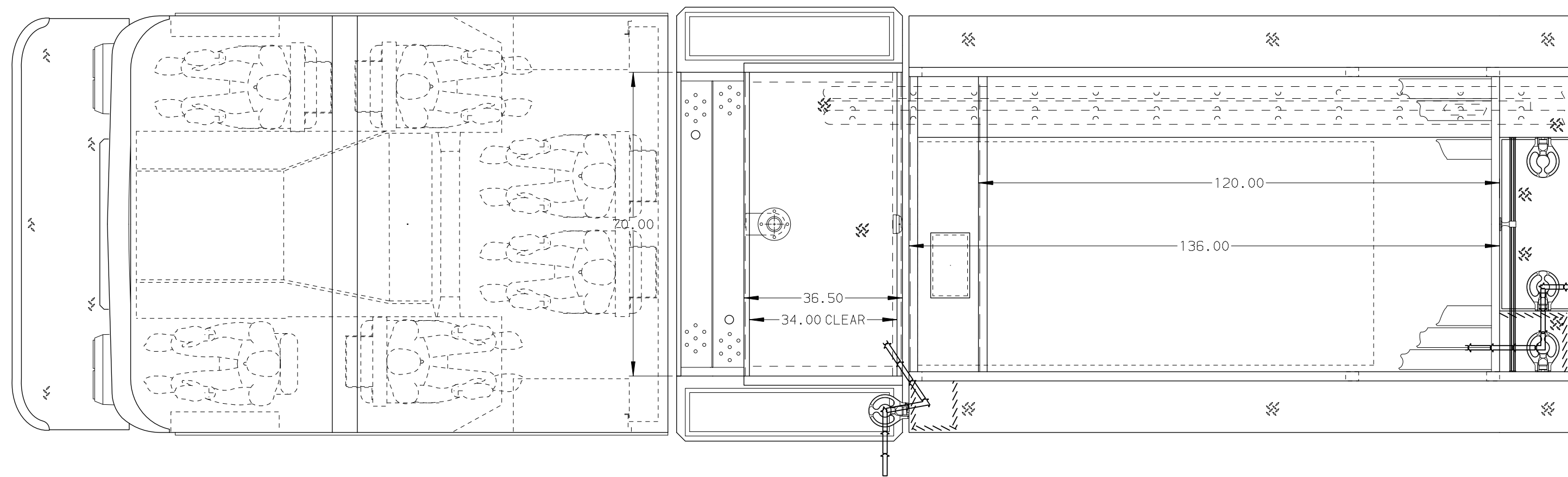
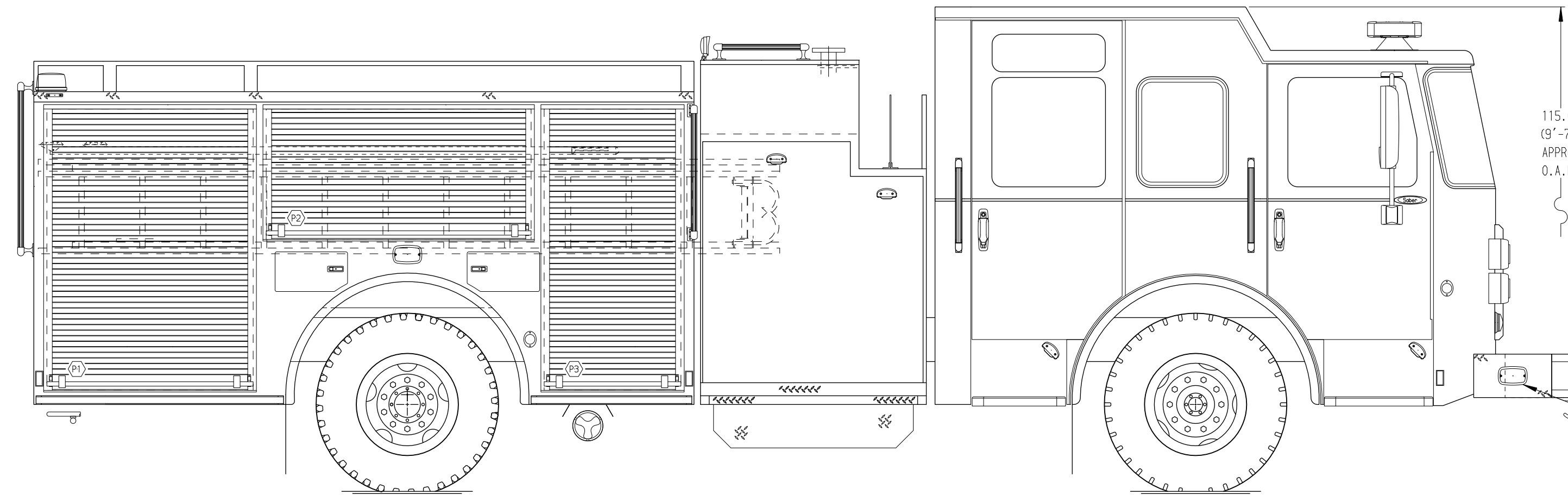
Foam System

Foam System Not Required

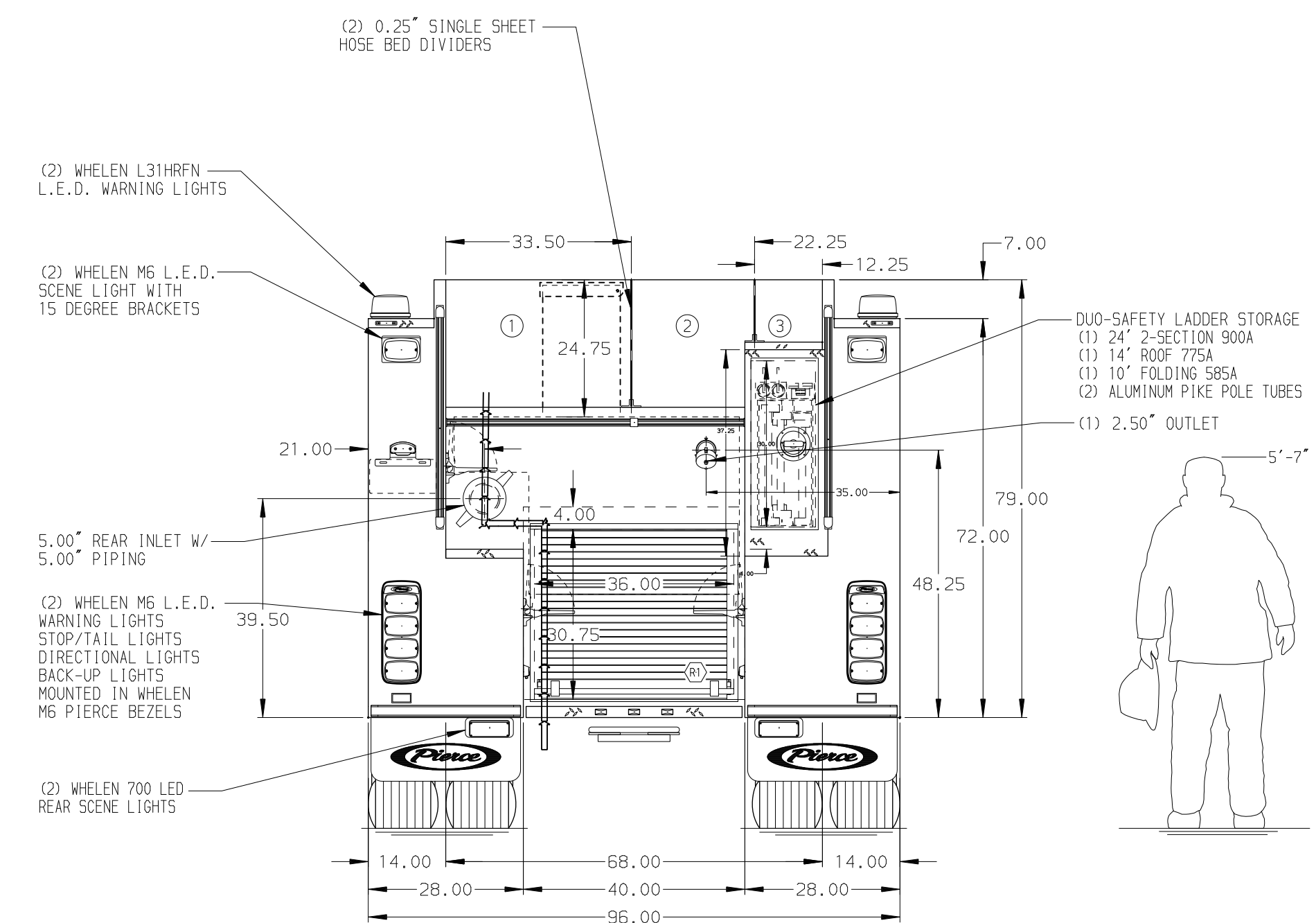
Foam Cell

Foam Cell Not Required

NOTE
DIMENSIONS SHOWN ARE APPROXIMATE AND ARE SUBJECT TO MINOR DEVIATIONS AS MAY OCCUR OR BE NECESSARY IN CONSTRUCTION. MINOR DETAILS NOT SHOWN.



HOSEBED CAPACITY	
BED 1	1000' OF 5.00" D.J. POLY HOSE
BED 2	750' OF 3.00" D.J. POLY HOSE
BED 3	250' OF 3.00" D.J. POLY HOSE



		JOB NO.	31157
		SCALE	DATE
Pierce Pumper Approval Drawing Youngsville Fire Department YOUNGVILLE, LOUISIANA		DRAWN BY	02MAR17
		CHECKED BY	06MAR17
DWG NO. 31157AD		SHEET SIZE	SHEET NO.
		D	1 OF 1

REV	DATE	BY	CH	SABER FR
1	11JUL17	JLA	RW1	PIERCE
2	17MAY17	JLA	RW1	MODEL