

DIMENSIONS FOR OVERALL HEIGHT AND LENGTH ARE APPROXIMATE
 OVERALL HEIGHT = 105"
 OVERALL WIDTH WITH RUB
 RAILS & FENDERETTES = 95"

(7) WHELEN 600 SUPER LED WITH CLEAR LENSES
 RED / RED / RED / WHITE / RED / RED / RED

(5) TECNIQ S330 AMBER
 MINI-LED MARKER LIGHTS

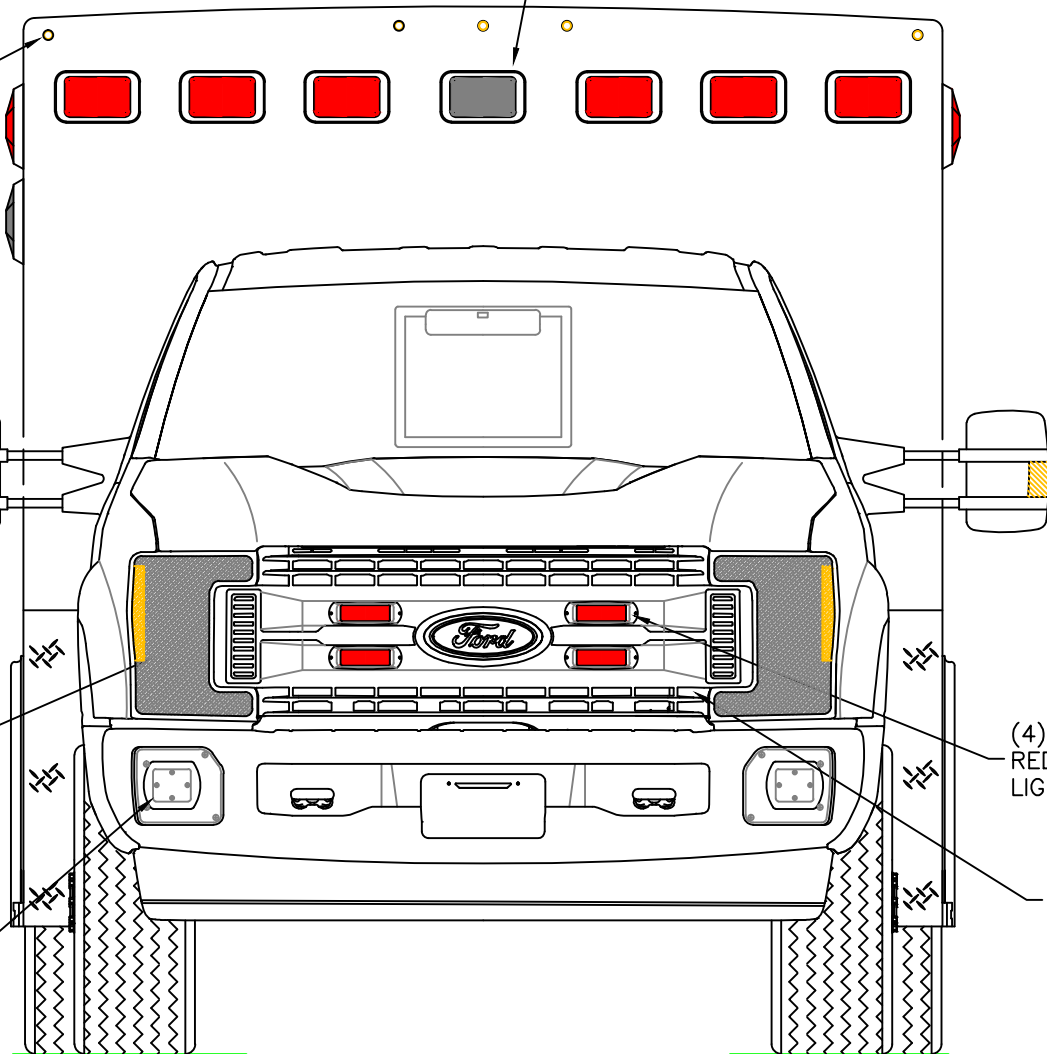
OEM POWER
 ADJUSTABLE
 MIRRORS

FLASHING HEADLIGHTS W/
 DAYTIME RUNNING LIGHTS

CAST PRODUCTS
 SAD3815/SAP3816 SIREN
 SPEAKERS IN THE BUMPER

(4) WHELEN 500 SERIES
 RED SUPER LED GRILLE
 LIGHTS WITH CLEAR LENSES

HIDDEN UNLOCK SWITCH
 IN GRILLE AREA



THIS DRAWING IS FOR REPRESENTATIONAL PURPOSES ONLY. DETAILS ARE CONCEPTUAL AND ARE SUBJECT TO CHANGE DURING DESIGN AND CONSTRUCTION
 DIMENSIONS ARE APPROXIMATE UNLESS NOTED OTHERWISE TO MEET A SPECIFIC CUSTOMER NEED.

BRAUN TYPE-I
 SIGNATURE SERIES



2019 FRONT EXTERIOR VIEW
 SIGNATURE SERIES-I / F-350 CHASSIS

DATE:
 8-3-18

DWG. REV.
 AAB NR

DRAWING NO.

SIGNATURE-1

APPROVAL SIGNATURE:

DATE:

DIMENSIONS FOR OVERALL HEIGHT AND LENGTH ARE APPROXIMATE
 OVERALL HEIGHT = 105"
 OVERALL WIDTH WITH RUB
 RAILS & FENDERETTES = 95"

(5) WHELEN 600 SUPER LED WARNING LIGHTS WITH CLEAR LENSES,
 (2) WHELEN 600 CLEAR LED LOAD LIGHTS:
 RED / RED / LOAD / AMBER / LOAD / RED / RED

(5) TECNIQ S330 RED
 MINI-LED MARKER LIGHTS

(2) WHELEN 900 RED
 SUPER LED LIGHTS
 WITH CLEAR LENSES

LOCATION FOR
 DOOR GRABBERS

LED LICENSE
 PLATE LIGHT

(1) EACH SIDE, WHELEN
 600 LED BRAKE/TAIL,
 600 LED TURN
 600 LED BACK-UP

MUD FLAPS

NO STANDARD AIR RIDE

INDEPENDENT BUMPER WITH
 NON-SKID FLIP-UP CENTER
 STEP AND COT PROTECTOR
 ON STEP EDGE.

THIS DRAWING IS FOR REPRESENTATIONAL PURPOSES ONLY. DETAILS ARE CONCEPTUAL AND ARE SUBJECT TO CHANGE DURING DESIGN AND CONSTRUCTION
 DIMENSIONS ARE APPROXIMATE UNLESS NOTED OTHERWISE TO MEET A SPECIFIC CUSTOMER NEED.

BRAUN TYPE-I
 SIGNATURE SERIES

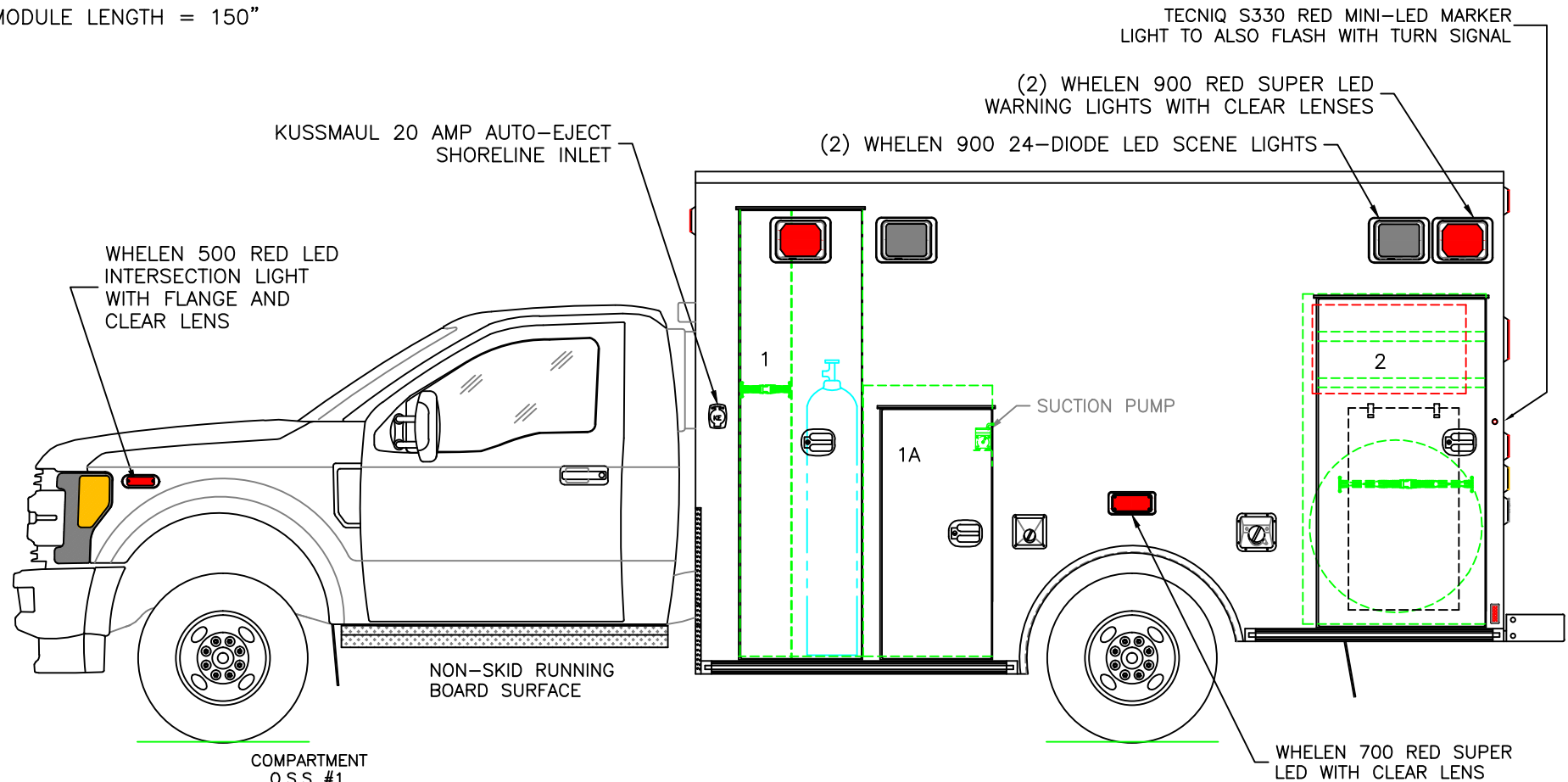


2019 REAR EXTERIOR VIEW
 SIGNATURE SERIES-I / F-350

DATE:
 8-3-18
 DWG. AAB

REV. NR
 DRAWING NO.
 SIGNATURE-2

DIMENSIONS FOR OVERALL HEIGHT AND LENGTH ARE APPROXIMATE
 OVERALL HEIGHT = 105"
 OVERALL LENGTH = 288"
 MODULE LENGTH = 150"



COMPARTMENT
 O.S.S #1
 CLEAR OPENING: 81.75h x 19.25w
 INSIDE DIMS: 82.75h x 22.75w x 18.50d
 OXYGEN STORAGE ON RIGHT SIDE OF VERTICAL DIVIDER
 DIVIDER DEPTH = 8" TO ALLOW ALTERNATE STAIR
 CHAIR STORAGE OUTBOARD OF OXYGEN
 (1) STRAP ON LEFT SIDE OF DIVIDER
 OXYGEN BRACKET & DIVIDER TO BE BOLT-IN
 OSS & DOOR PREPPED TO HOLD THE EZ-02 LIFT

O.S.S #1A
 CLEAR OPENING: 45.25h x 17.50w
 INSIDE DIM'S.: 50.25h x 24.00w x 18.50d

O.S.S #2
 CLEAR OPENING: 59.50h x 28.00w
 INSIDE DIM'S.: 61.25h x 34.00w x 18.50d
 INSIDE/OUTSIDE ACCESS
 (2) ADJUSTABLE SHELVES: UPPER=FULL DEPTH; LOWER=REDUCED
 DEPTH DUE TO STAIR CHAIR ON INSIDE OF DOOR
 MOUNTING HOOKS AND STRAP ON INSIDE OF DOOR FOR
 STRYKER 6252 OR FERNO EZ-GLIDE STAIR CHAIR
 OPTIONAL SPARE TIRE STORAGE (MOUNT NOT INCLUDED AS STANDARD)
 NOTE: STAIR CHAIR AND SPARE STORAGE WILL NOT FIT AT SAME TIME

THIS DRAWING IS FOR REPRESENTATIONAL PURPOSES ONLY. DETAILS ARE CONCEPTUAL AND ARE SUBJECT TO CHANGE DURING DESIGN AND CONSTRUCTION
 DIMENSIONS ARE APPROXIMATE UNLESS NOTED OTHERWISE TO MEET A SPECIFIC CUSTOMER NEED.

BRAUN TYPE-I
 SIGNATURE SERIES

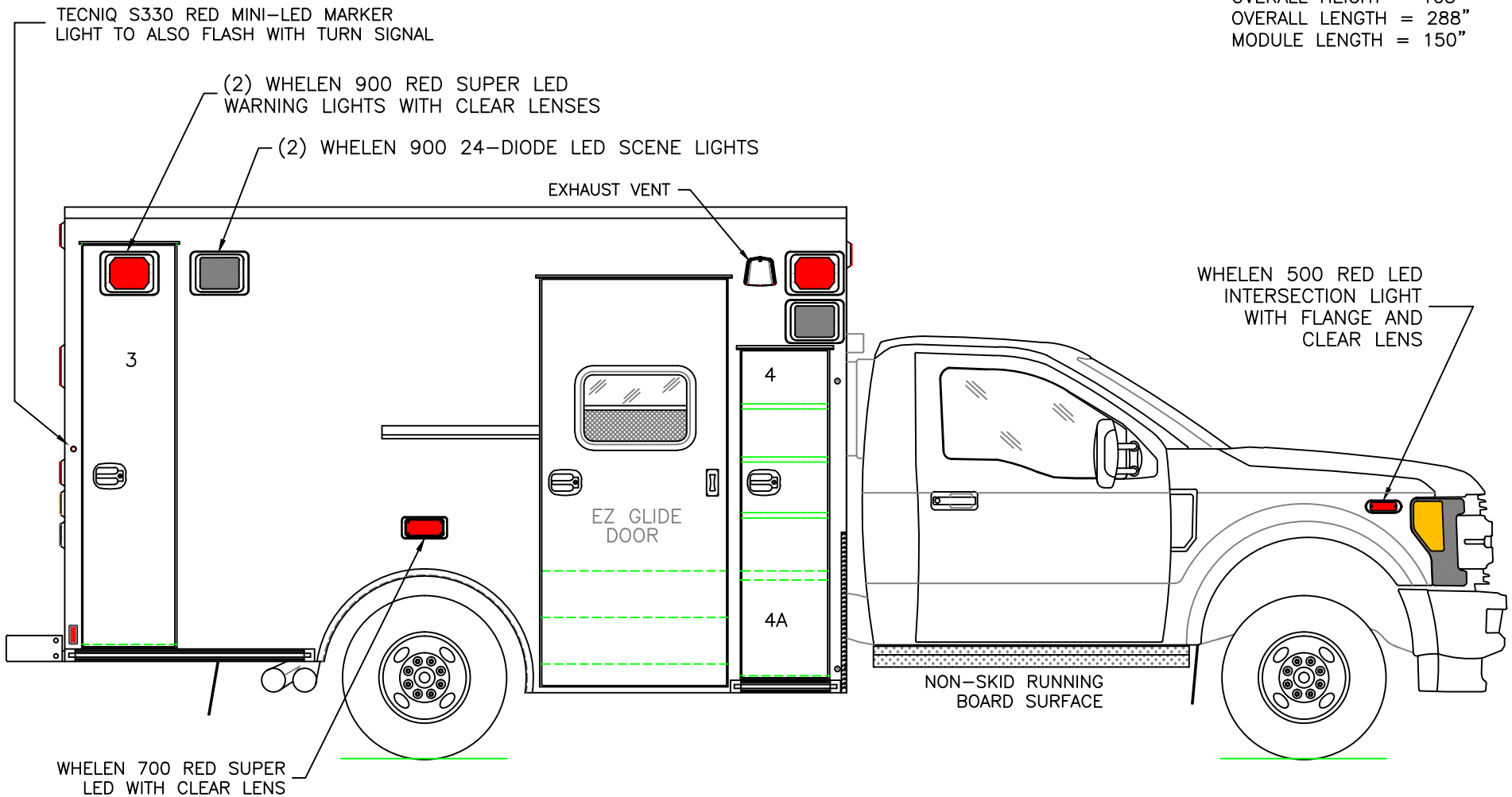


2019 STREETSIDE EXTERIOR VIEW
 SIGNATURE SERIES-I / F-350 CHASSIS

DATE:	8-3-18
DWG.	AAB
REV.	NR

DRAWING NO.
 SIGNATURE-3

DIMENSIONS FOR OVERALL HEIGHT AND LENGTH ARE APPROXIMATE
 OVERALL HEIGHT = 105"
 OVERALL LENGTH = 288"
 MODULE LENGTH = 150"



O.S.S #3
 CLEAR OPENING: 75.50h x 15.00w
 INSIDE DIM'S.: 76.75h x 18.00w x 18.50d
 BACKBOARD/SCOOP STORAGE

O.S.S #4
 CLEAR OPENING: 60.50h x 15.50w
 INSIDE DIM'S.: SEE PARTITION INTERIOR VIEW
 INSIDE/OUTSIDE ACCESS
 #4A CLEAR OPENING: 18.25h x 15.50w x 17.00d

THIS DRAWING IS FOR REPRESENTATIONAL PURPOSES ONLY. DETAILS ARE CONCEPTUAL AND ARE SUBJECT TO CHANGE DURING DESIGN AND CONSTRUCTION
 DIMENSIONS ARE APPROXIMATE UNLESS NOTED OTHERWISE TO MEET A SPECIFIC CUSTOMER NEED.

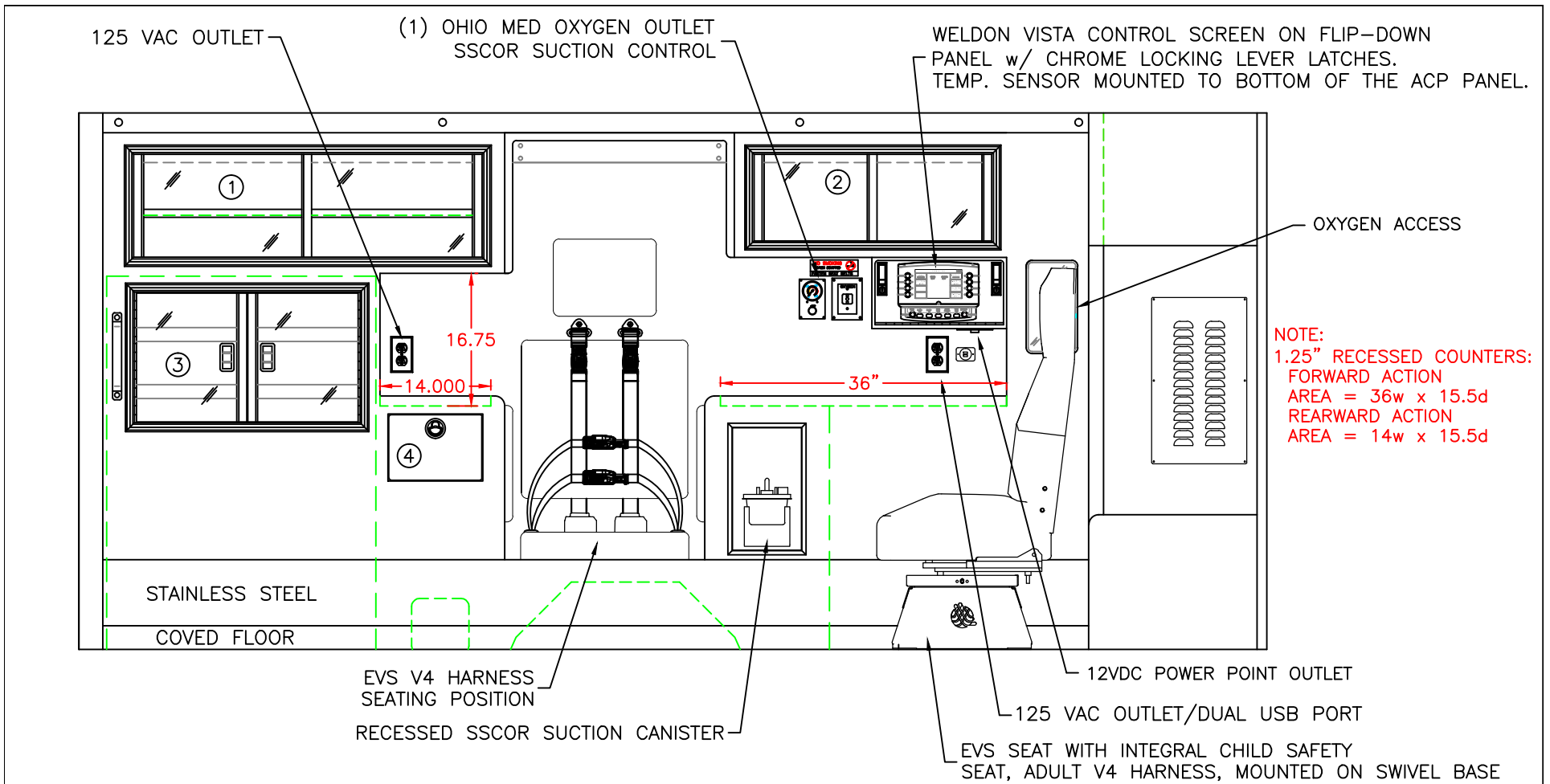
BRAUN TYPE-I
 SIGNATURE SERIES



2019 CURBSIDE EXTERIOR VIEW
 SIGNATURE SERIES-I / F-350 CHASSIS

DATE:	8-3-18
DWG.	AAB
REV.	NR

DRAWING NO.	SIGNATURE-4
-------------	-------------



COMPARTMENT:

#1 DOOR OPENING: 13.00h x 44.00w
 INSIDE DIMS: 14.75h x 45.75w x 16.25d
 (1) ADJUSTABLE SHELF
 SLIDING POLYCARBONATE DOORS
 TOTAL CABINET WEIGHT RATING = 25 lbs.

#2 DOOR OPENING: 11.00h x 30.00w
 INSIDE DIMS: 12.75h x 31.75w x 16.25d
 SLIDING POLYCARBONATE DOORS
 TOTAL CABINET WEIGHT RATING = 25 lbs.

#3 DOOR OPENING: 16.50h x 27.50w
 INSIDE/OUTSIDE COMPARTMENT ACCESS
 HINGED POLYCARBONATE DOORS WITH FULL LENGTH HANDLES
 CENTER SQUEEZE LATCHES
 TOTAL CABINET WEIGHT RATING = 40 lbs.

#4 PULL-OUT DRAWER
 INSIDE DIMS: 7.50h x 10.00w x 15.75d
 STAINLESS STEEL FLUSH PULL LATCH
 TOTAL DRAWER WEIGHT RATING = 10 lbs.

CABINETS TO BE ALUMINUM

THIS DRAWING IS FOR REPRESENTATIONAL PURPOSES ONLY. DETAILS ARE CONCEPTUAL AND ARE SUBJECT TO CHANGE DURING DESIGN AND CONSTRUCTION
 DIMENSIONS ARE APPROXIMATE UNLESS NOTED OTHERWISE TO MEET A SPECIFIC CUSTOMER NEED.

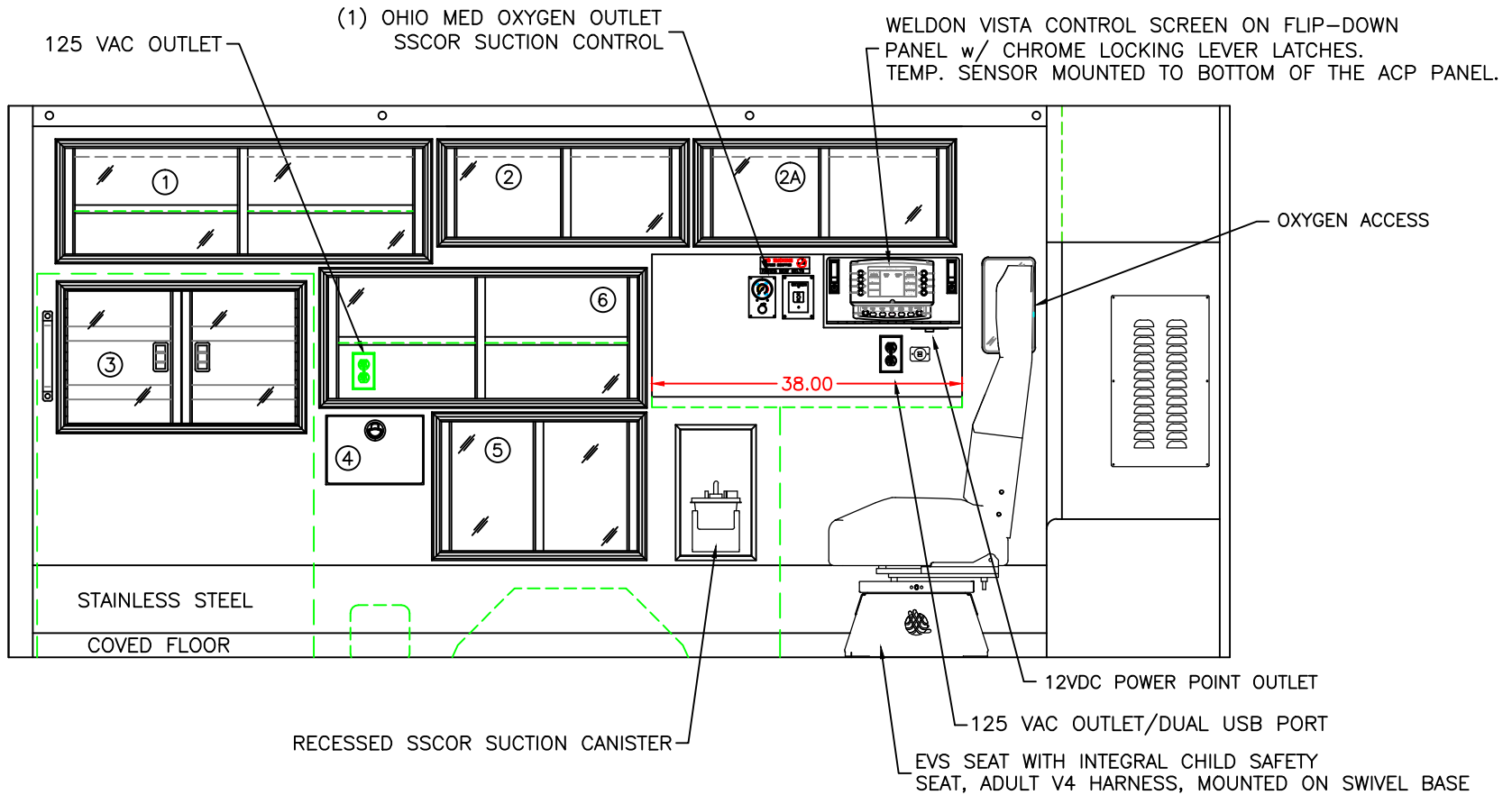
BRAUN TYPE-I
 SIGNATURE SERIES



2019 STREETSIDE INTERIOR
 SIGNATURE SERIES-I

DATE:	8-3-18
DWG.	AAB

DRAWING NO.	SIGNATURE-5
REV.	NR
WITH CPR SEAT	



COMPARTMENT:

- #1 DOOR OPENING: 13.00h x 44.00w
 INSIDE DIMS: 14.75h x 45.75w x 16.25d
 (1) ADJUSTABLE SHELF
 SLIDING POLYCARBONATE DOORS
 TOTAL CABINET WEIGHT RATING = 25 lbs.
- #2 DOOR OPENING: 11.00h x 30.00w
 INSIDE DIMS: 12.75h x 31.75w x 16.25d
 SLIDING POLYCARBONATE DOORS
 TOTAL CABINET WEIGHT RATING = 25 lbs.
- #2A DOOR OPENING: 11.00h x 30.00w
 INSIDE DIMS: 12.75h x 31.75w x 16.25d
 SLIDING POLYCARBONATE DOORS
 TOTAL CABINET WEIGHT RATING = 25 lbs.

- #3 DOOR OPENING: 16.50h x 27.50w
 INSIDE/OUTSIDE COMPARTMENT ACCESS
 HINGED POLYCARBONATE DOORS WITH FULL LENGTH
 HANDLES CENTER SQUEEZE LATCHES
 TOTAL CABINET WEIGHT RATING = 40 lbs.
- #4 PULL-OUT DRAWER
 INSIDE DIMS: 7.50h x 10.00w x 15.75d
 STAINLESS STEEL FLUSH PULL LATCH
 TOTAL DRAWER WEIGHT RATING = 10 lbs.
- #5 DOOR OPENING: 15.75h x 24.00w
 INSIDE DIMS: 17.50h x 25.75w x 16.25d
 SLIDING POLYCARBONATE DOORS
 TOTAL CABINET WEIGHT RATING = 25 lbs.

- #6 DOOR OPENING: 15.00h x 38.00w
 INSIDE DIMS: 16.75h x 39.75w x 16.25d
 (1) ADJUSTABLE SHELF
 SLIDING POLYCARBONATE DOORS
 TOTAL CABINET WEIGHT RATING = 25 lbs.

CABINETS TO BE ALUMINUM

THIS DRAWING IS FOR REPRESENTATIONAL PURPOSES ONLY. DETAILS ARE CONCEPTUAL AND ARE SUBJECT TO CHANGE DURING DESIGN AND CONSTRUCTION DIMENSIONS ARE APPROXIMATE UNLESS NOTED OTHERWISE TO MEET A SPECIFIC CUSTOMER NEED.

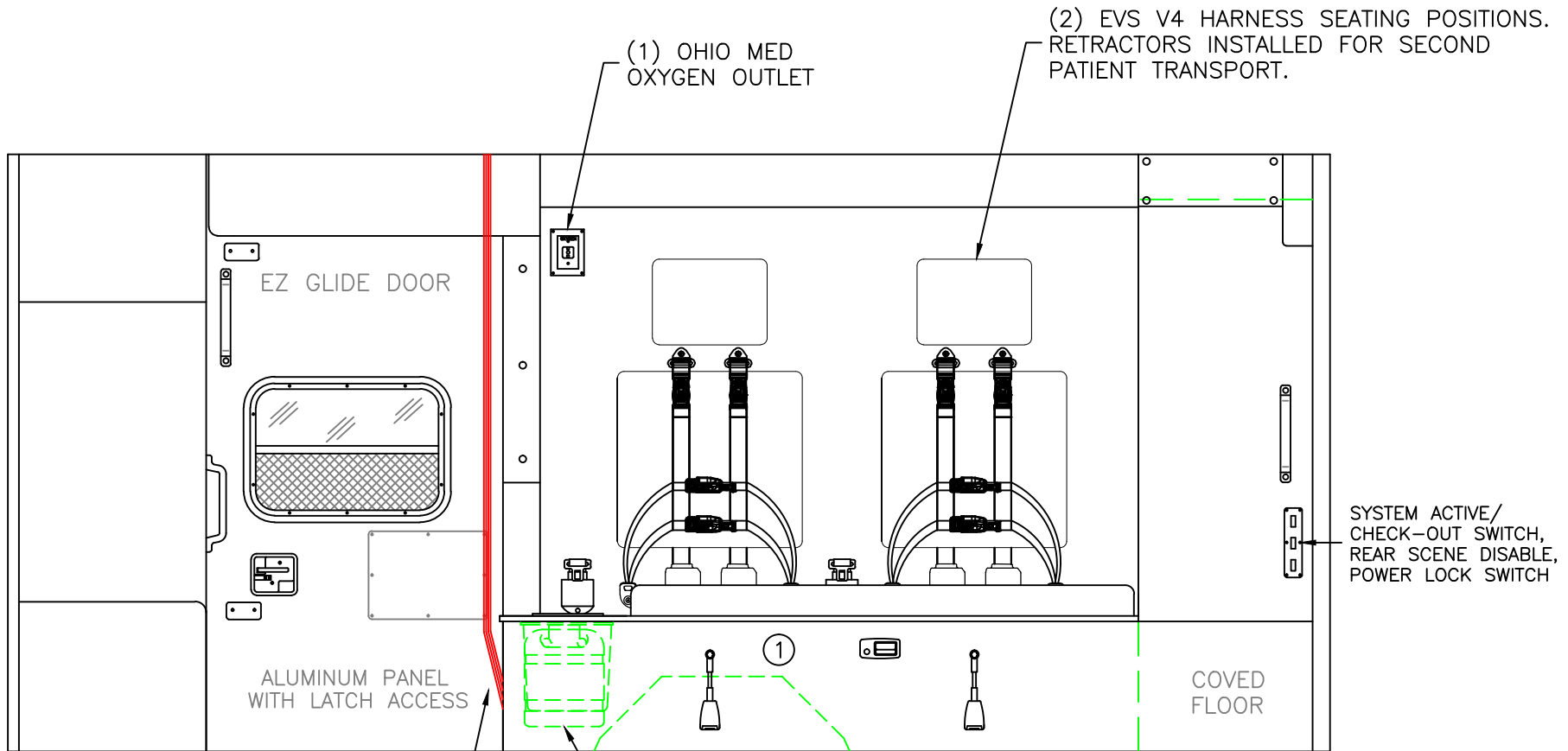
BRAUN TYPE-I
SIGNATURE SERIES



2019 STREETSIDE INTERIOR
SIGNATURE SERIES-I

DATE:
8-3-18
DWG. AAB

DRAWING NO.
SIGNATURE-5
REV. NR NO CPR SEAT



COMPARTMENT
 #1 INSIDE DIMS: 15.50h x 72.00w x 18.50d

CABINETS TO BE ALUMINUM

THIS DRAWING IS FOR REPRESENTATIONAL PURPOSES ONLY. DETAILS ARE CONCEPTUAL AND ARE SUBJECT TO CHANGE DURING DESIGN AND CONSTRUCTION DIMENSIONS ARE APPROXIMATE UNLESS NOTED OTHERWISE TO MEET A SPECIFIC CUSTOMER NEED.

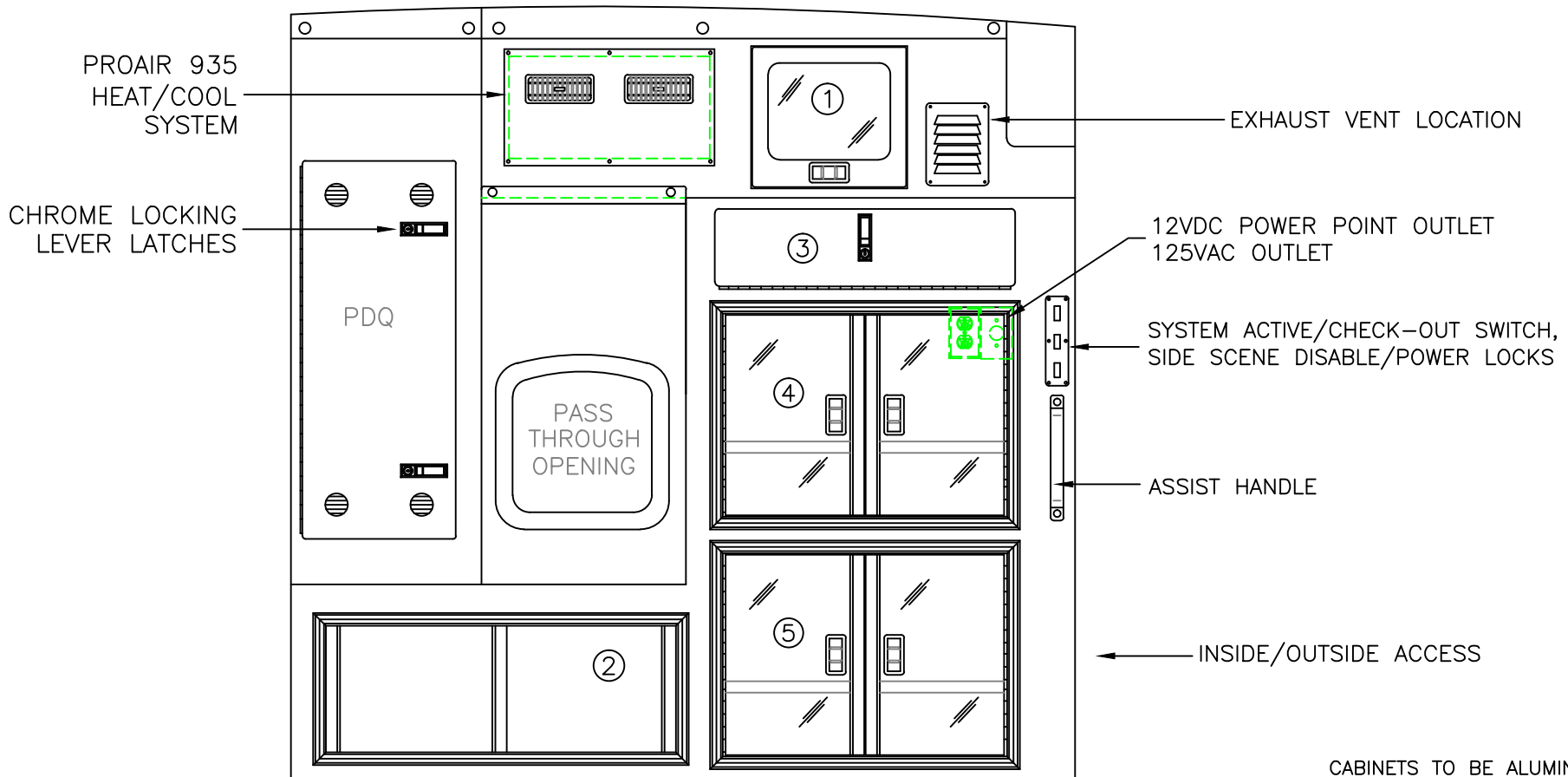
BRAUN TYPE-1
 SIGNATURE SERIES



2019 CURBSIDE INTERIOR VIEW
 SIGNATURE SERIES-1

DATE: 8-3-18	
DWG. AAB	REV. NR

DRAWING NO.
 SIGNATURE-6



COMPARTMENT

#1 DOOR OPENING: 12.25h x 13.75w
 INSIDE DIMS: 12.25h x 13.75w x 19.75d
 HINGED ALUMINUM DOOR WITH POLYCARBONATE INSERT
 CENTER SQUEEZE LATCH
 TOTAL CABINET WEIGHT RATING = 10 lbs.

#2 DOOR OPENING: 11.00h x 30.50w
 INSIDE DIMS: 16.00h x 34.00w x 14.00d
 ACTUAL DIMENSIONS MAY VARY
 ALUMINUM SLIDING DOORS
 TOTAL CABINET WEIGHT RATING = 25 lbs.

#3 DROP-DOWN HINGED ALUMINUM DOOR
 WITH CHROME LOCKING LEVER LATCH
 OPENING DIMS: 6.50h x 26.00w
 INSIDE DIMS: 7.50h x 26.00w x 20.00d
 TOTAL CABINET WEIGHT RATING = 15 lbs.

#4/#5 DOOR OPENING: 17.75h x 25.00w
 INSIDE DIMS: 19.25h x 27.75w x 20.00d
 HINGED POLYCARBONATE DOORS WITH FULL LENGTH HANDLES
 CENTER SQUEEZE LATCHES
 (1) ADJUSTABLE SHELF PER COMPARTMENT
 TOTAL CABINET WEIGHT RATING = 60 lbs. EACH

THIS DRAWING IS FOR REPRESENTATIONAL PURPOSES ONLY. DETAILS ARE CONCEPTUAL AND ARE SUBJECT TO CHANGE DURING DESIGN AND CONSTRUCTION
 DIMENSIONS ARE APPROXIMATE UNLESS NOTED OTHERWISE TO MEET A SPECIFIC CUSTOMER NEED.

BRAUN TYPE-I
 SIGNATURE SERIES



2019 PARTITION INTERIOR VIEW
 SIGNATURE SERIES-I

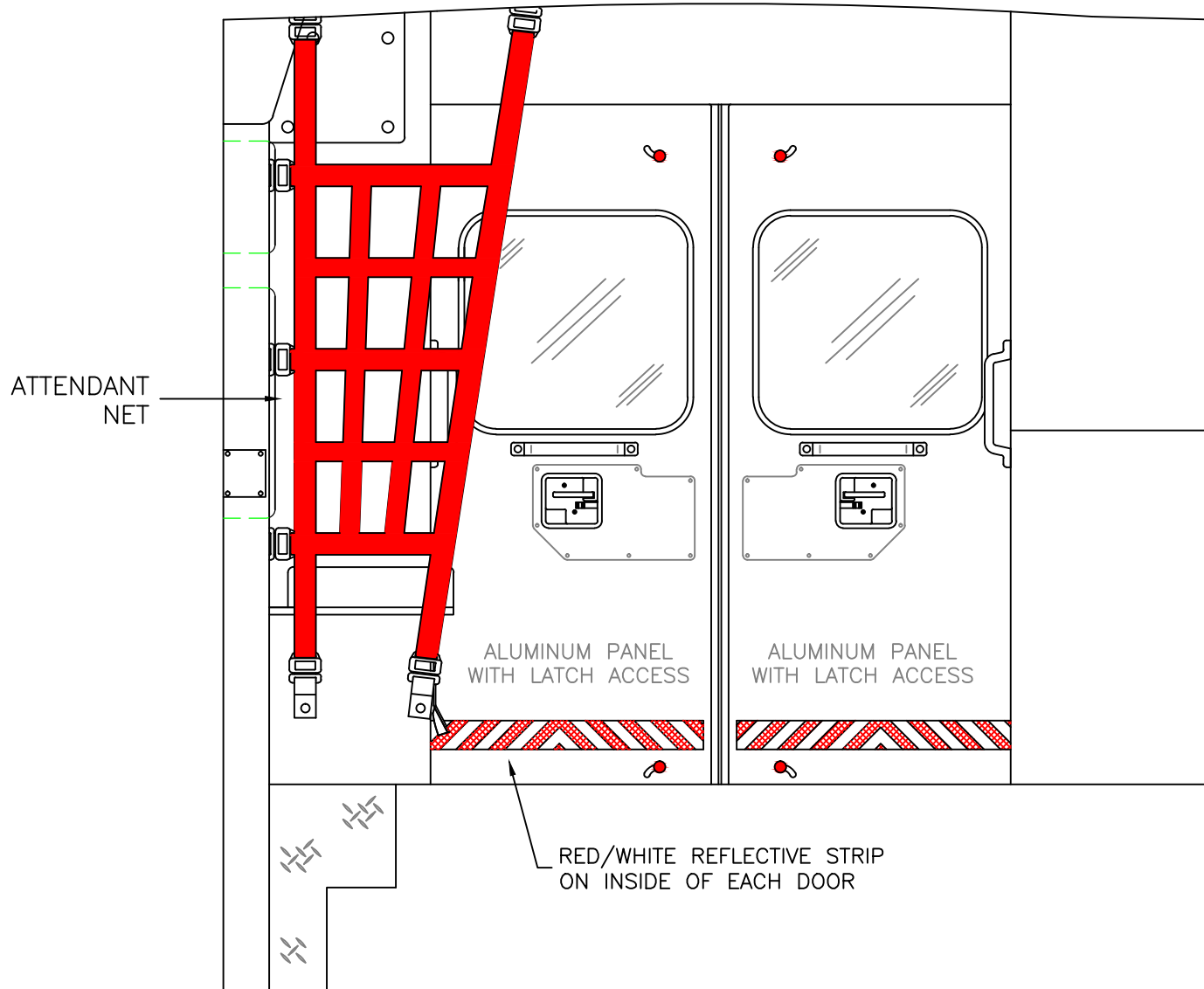
DATE:
 8-3-18

DWG.
 AAB

REV.
 NR

DRAWING NO.

SIGNATURE-7



THIS DRAWING IS FOR REPRESENTATIONAL PURPOSES ONLY. DETAILS ARE CONCEPTUAL AND ARE SUBJECT TO CHANGE DURING DESIGN AND CONSTRUCTION DIMENSIONS ARE APPROXIMATE UNLESS NOTED OTHERWISE TO MEET A SPECIFIC CUSTOMER NEED.

BRAUN TYPE-I
SIGNATURE SERIES

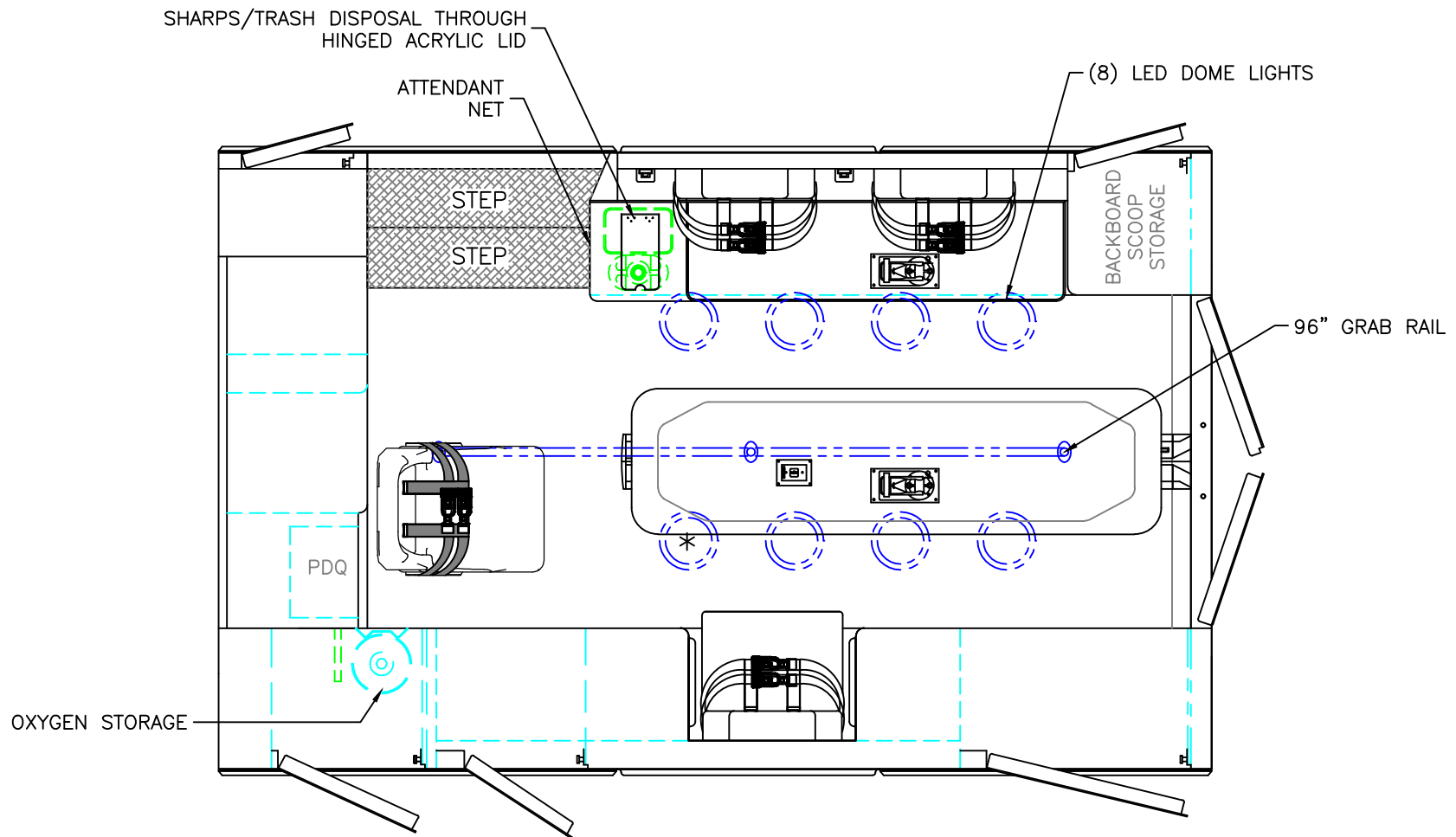


2019 REAR INTERIOR VIEW
SIGNATURE SERIES-I

DATE:
8-3-18
DWG. AAB

REV. NR

DRAWING NO.
SIGNATURE-8



* (1) ANTENNA BASE LOCATED OUTBOARD OF DOME LIGHT WITH COAX SERVICE LOOP

86" FERNO STAT-TRAC CENTER MOUNT COT HARDWARE

 = (2) RECESSED CAST PRODUCTS CEILING IV HANGERS

 = (1) CEILING OXYGEN OUTLET

HEAD ROOM = 68"
 OVERALL WIDTH WITH RUB
 RAILS & FENDERETTES = 95"
 MODULE LENGTH = 150"

THIS DRAWING IS FOR REPRESENTATIONAL PURPOSES ONLY. DETAILS ARE CONCEPTUAL AND ARE SUBJECT TO CHANGE DURING DESIGN AND CONSTRUCTION
 DIMENSIONS ARE APPROXIMATE UNLESS NOTED OTHERWISE TO MEET A SPECIFIC CUSTOMER NEED.

BRAUN TYPE-I
 SIGNATURE SERIES

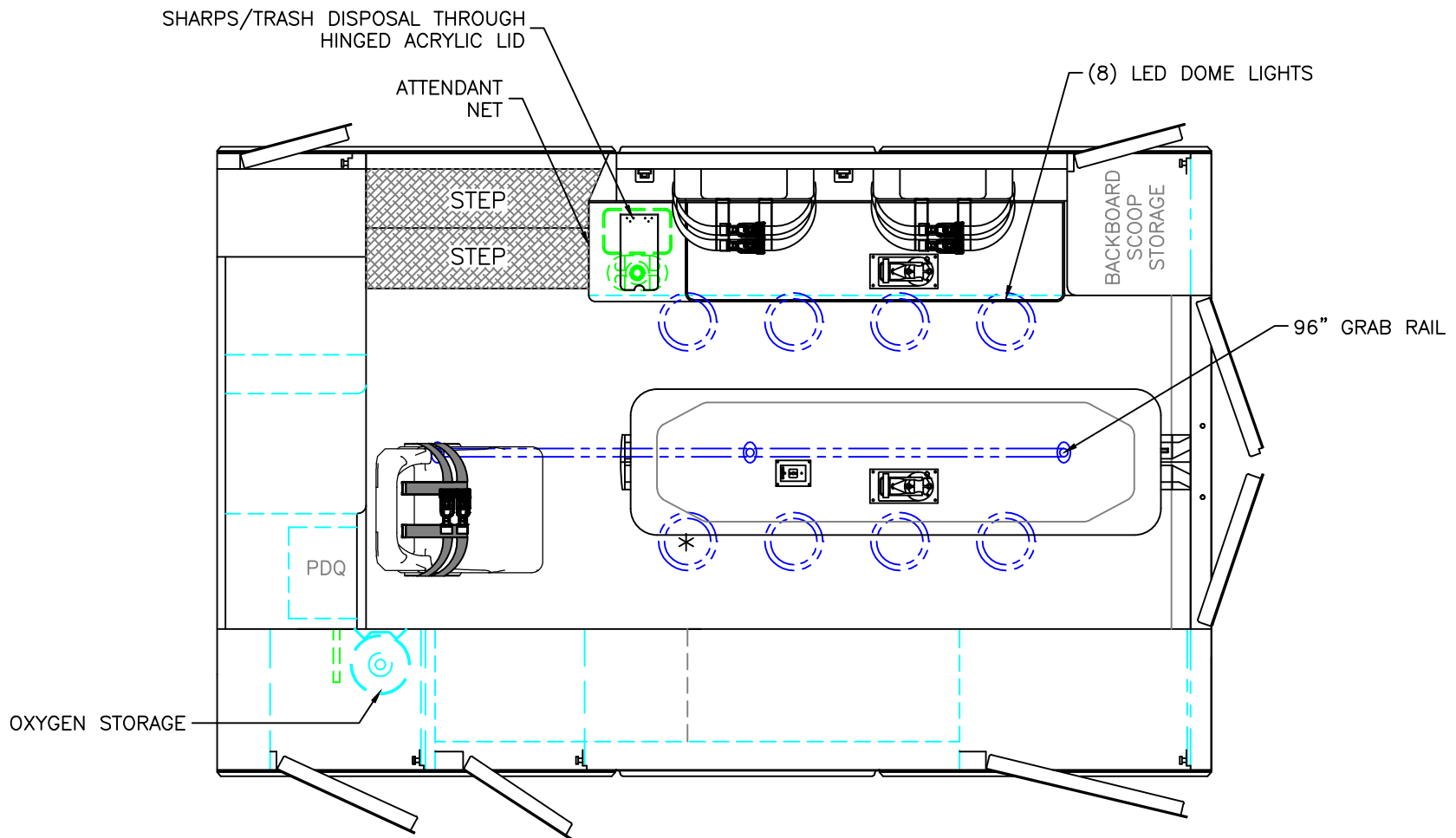


2019 FLOOR VIEW
 SIGNATURE SERIES-I

DATE:
8-3-18
 DWG. AAB

REV. NR

DRAWING NO.
SIGNATURE-9
WITH CPR SEAT



* (1) ANTENNA BASE LOCATED OUTBOARD OF DOME LIGHT WITH COAX SERVICE LOOP

86" FERNO STAT-TRAC CENTER MOUNT COT HARDWARE

 = (2) RECESSED CAST PRODUCTS CEILING IV HANGERS

 = (1) CEILING OXYGEN OUTLET

HEAD ROOM = 68"
 OVERALL WIDTH WITH RUB
 RAILS & FENDERETTES = 95"
 MODULE LENGTH = 150"

THIS DRAWING IS FOR REPRESENTATIONAL PURPOSES ONLY. DETAILS ARE CONCEPTUAL AND ARE SUBJECT TO CHANGE DURING DESIGN AND CONSTRUCTION
 DIMENSIONS ARE APPROXIMATE UNLESS NOTED OTHERWISE TO MEET A SPECIFIC CUSTOMER NEED.

BRAUN TYPE-I
 SIGNATURE SERIES



2019 FLOOR VIEW
 SIGNATURE SERIES-I

DATE:
8-3-18
 DWG.
AAB

REV.
NR

DRAWING NO.
SIGNATURE-9
NO CPR SEAT