

DIMENSIONS FOR OVERALL HEIGHT AND LENGTH ARE APPROXIMATE
 OVERALL HEIGHT = 112"
 OVERALL WIDTH WITH RUB
 RAILS & FENDERETTES = 98"

(5) WHELEN 900 SUPER LED WITH CLEAR LENSES
 RED / RED / WHITE / RED / RED

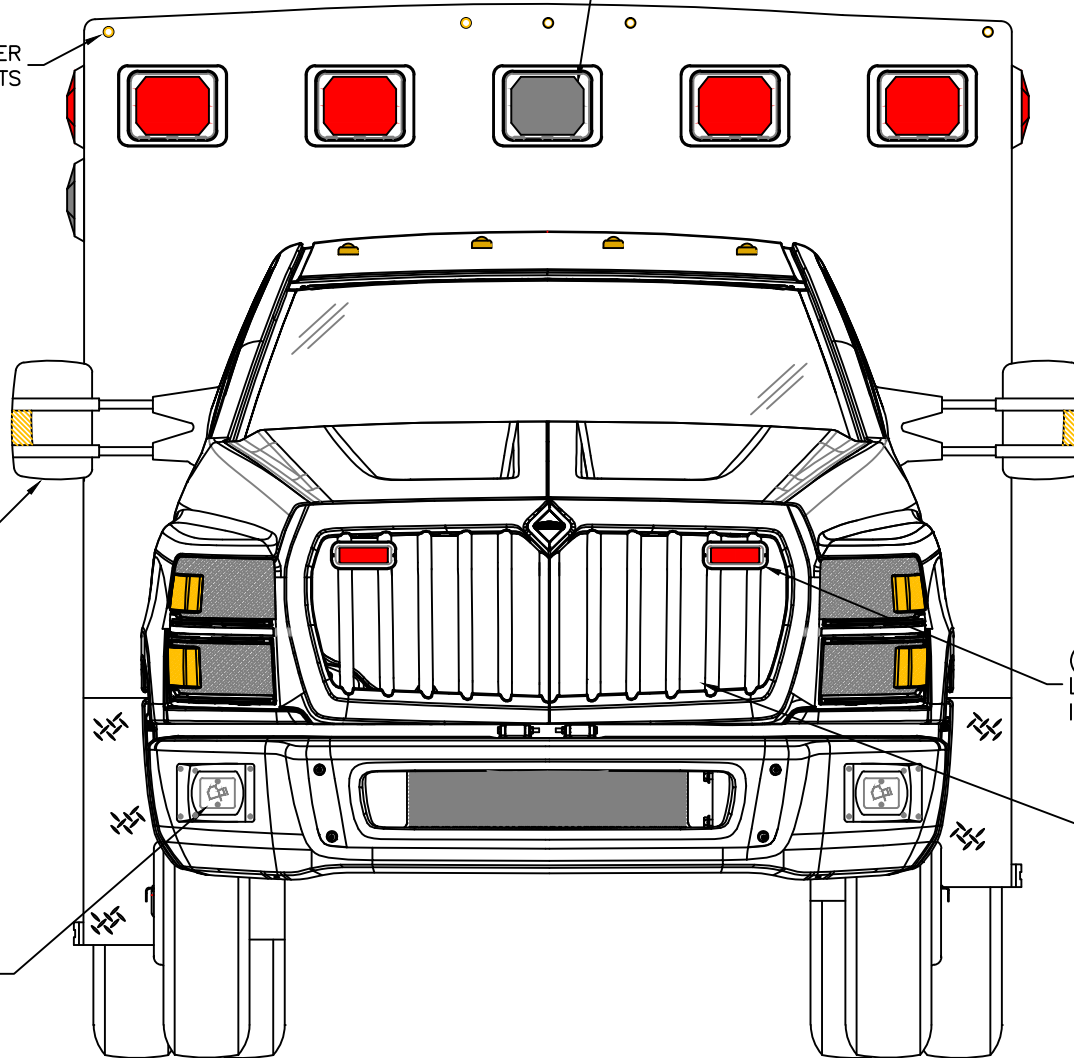
(5) TECNIQ S330 AMBER
 MINI-LED MARKER LIGHTS

OEM POWER
 ADJUSTABLE
 MIRRORS

(2) WHELEN 500 RED LED
 LIGHTS WITH CLEAR LENSES
 IN CPI HOUSINGS

HIDDEN UNLOCK SWITCH
 BEHIND THE GRILLE

CAST PRODUCTS
 SAD3819/SAP3820 SIREN
 SPEAKERS IN THE BUMPER



THIS DRAWING IS FOR REPRESENTATIONAL PURPOSES ONLY. DETAILS ARE CONCEPTUAL AND ARE SUBJECT TO CHANGE DURING DESIGN AND CONSTRUCTION
 DIMENSIONS ARE APPROXIMATE UNLESS NOTED OTHERWISE TO MEET A SPECIFIC CUSTOMER NEED.

BRAUN
 LIBERTY



2019 FRONT EXTERIOR VIEW
 LIBERTY TYPE-1/INTERNATIONAL CV4500-CV5500 CHASSIS

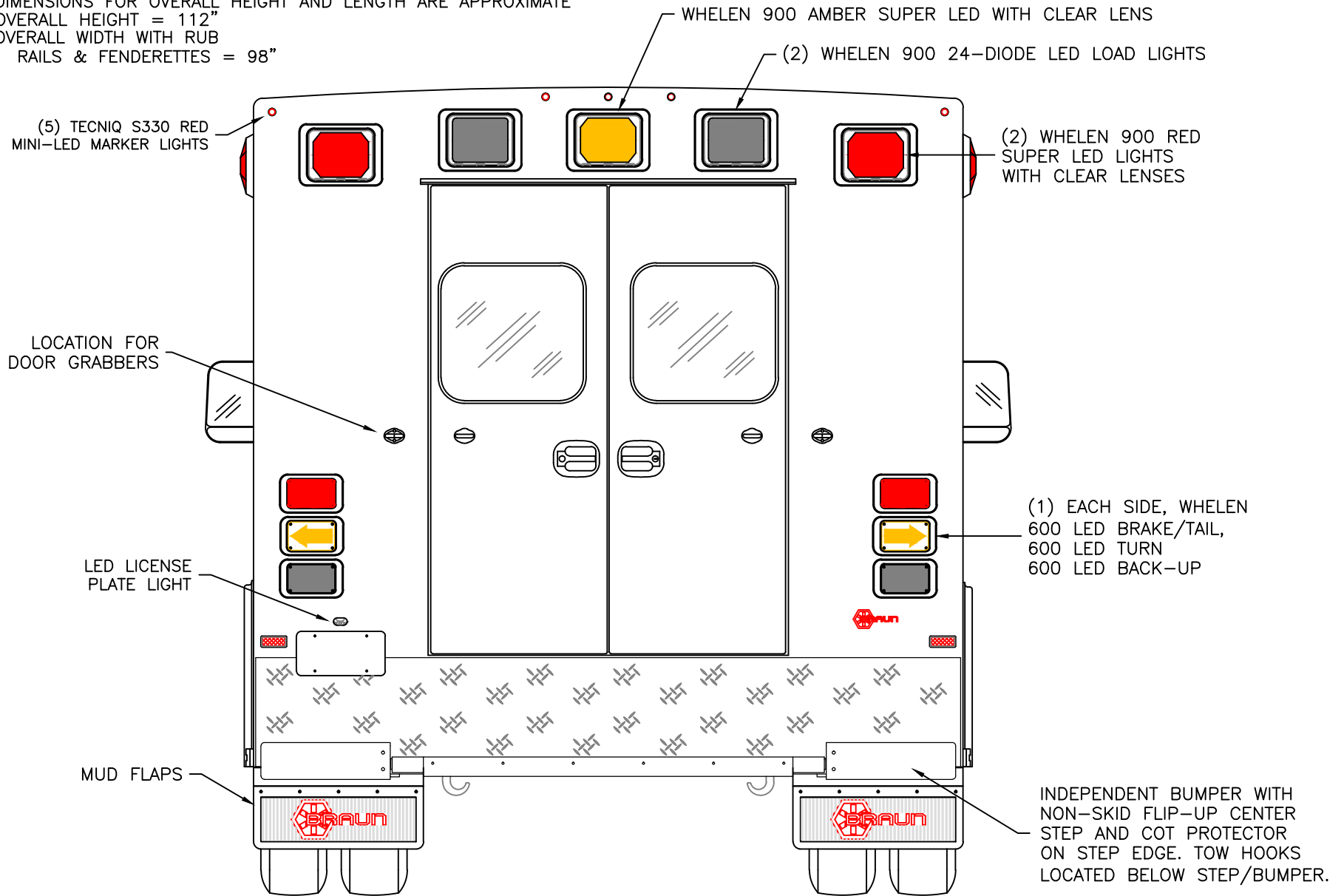
DATE:	8-3-18	DRAWING NO.
DWG.	AAB	REV. NR

LIBERTY-1

APPROVAL SIGNATURE:

DATE:

DIMENSIONS FOR OVERALL HEIGHT AND LENGTH ARE APPROXIMATE
 OVERALL HEIGHT = 112"
 OVERALL WIDTH WITH RUB
 RAILS & FENDERETTES = 98"



THIS DRAWING IS FOR REPRESENTATIONAL PURPOSES ONLY. DETAILS ARE CONCEPTUAL AND ARE SUBJECT TO CHANGE DURING DESIGN AND CONSTRUCTION
 DIMENSIONS ARE APPROXIMATE UNLESS NOTED OTHERWISE TO MEET A SPECIFIC CUSTOMER NEED.

BRAUN
 LIBERTY



2019 REAR EXTERIOR VIEW
 LIBERTY TYPE-I/INTERNATIONAL CV4500-CV5500 CHASSIS

DATE: 8-3-18	DWG.	REV.
	AAB	NR

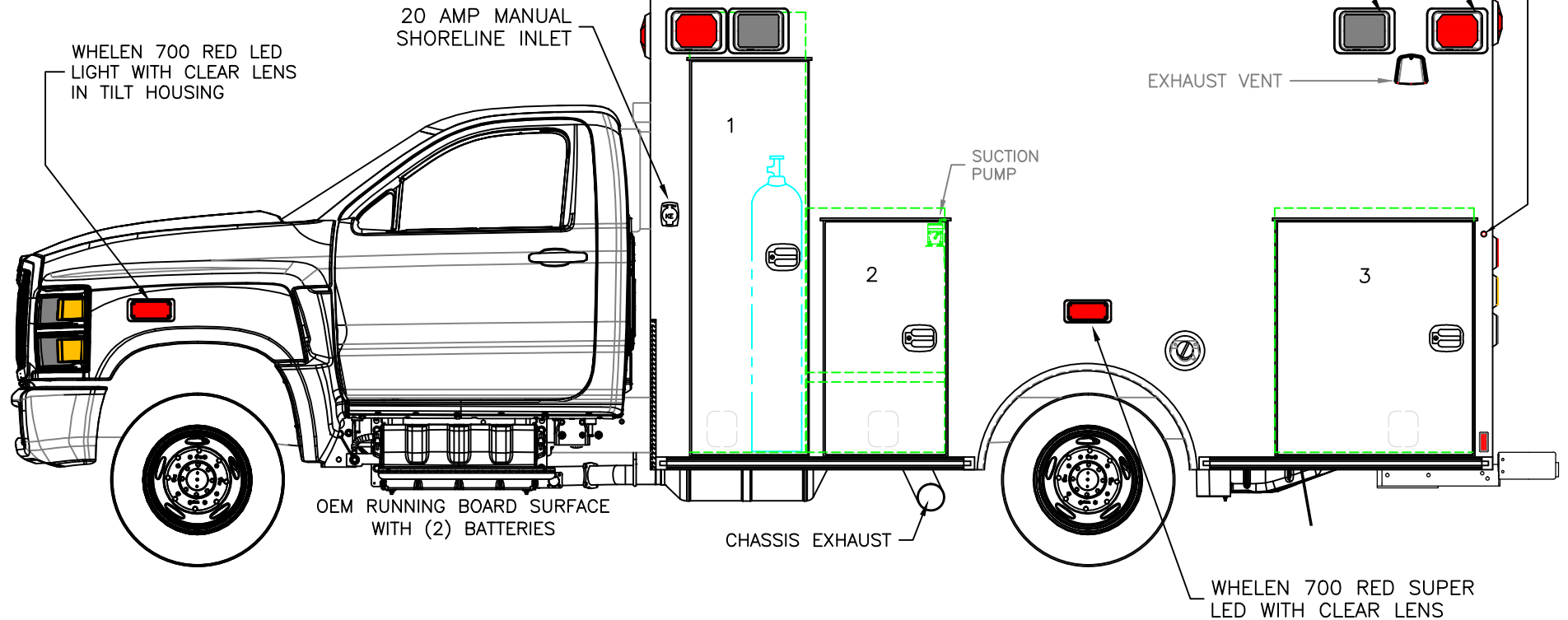
DRAWING NO.
 LIBERTY-2

DIMENSIONS FOR OVERALL HEIGHT AND LENGTH ARE APPROXIMATE
 OVERALL HEIGHT = 112"
 OVERALL LENGTH = 286.75"
 MODULE LENGTH = 156"

TECNIQ S330 RED MINI-LED MARKER LIGHT TO ALSO FLASH WITH TURN SIGNAL

(2) WHELEN 900 RED SUPER LED WARNING LIGHTS WITH CLEAR LENSES

(2) WHELEN 900 24-DIODE LED SCENE LIGHTS



COMPARTMENT
 O.S.S #1

CLEAR OPENING: 71.75h x 18.50w
 INSIDE DIM'S.: 81.50h x 21.50w x 21.75d
 MAIN OXYGEN STORAGE

O.S.S #2

CLEAR OPENING: 42.25h x 19.00w
 INSIDE DIM'S.: 45.25h x 25.50w x 21.75d
 (1) ADJUSTABLE SHELF

O.S.S #3

CLEAR OPENING: 42.25h x 33.25w
 INSIDE DIM'S.: 45.25h x 36.75w x 21.75d

NOTE: LOWERED SIDE FORWARD OF REAR WHEELS IS REMOVED ON THIS MODEL DUE TO THE EXHAUST

THIS DRAWING IS FOR REPRESENTATIONAL PURPOSES ONLY. DETAILS ARE CONCEPTUAL AND ARE SUBJECT TO CHANGE DURING DESIGN AND CONSTRUCTION
 DIMENSIONS ARE APPROXIMATE UNLESS NOTED OTHERWISE TO MEET A SPECIFIC CUSTOMER NEED.

BRAUN
 LIBERTY

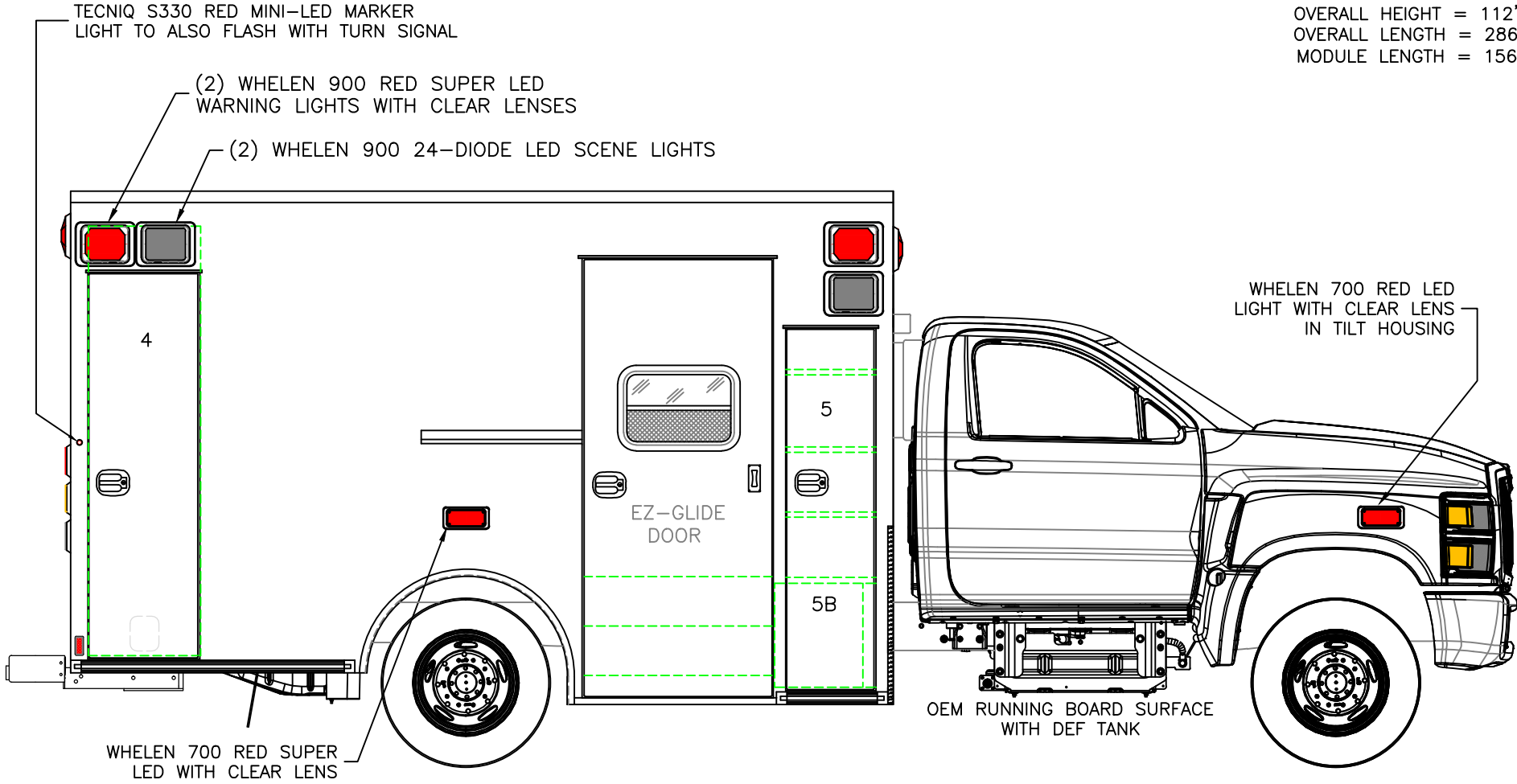


2019 STREETSIDE EXTERIOR VIEW
 LIBERTY TYPE-I/INTERNATIONAL CV4500-CV5500 CHASSIS

DATE:
 1-18-19
 DWG. AAB

REV. NR
 DRAWING NO.
 LIBERTY-3

DIMENSIONS FOR OVERALL HEIGHT AND LENGTH ARE APPROXIMATE
 OVERALL HEIGHT = 112"
 OVERALL LENGTH = 286.75"
 MODULE LENGTH = 156"



COMPARTMENT
 O.S.S #4
 CLEAR OPENING: 71.75h x 17.75w
 INSIDE DIM'S.: 81.50h x 21.50w x 21.50d
 BACKBOARD/SCOOP STORAGE

O.S.S #5
 CLEAR OPENING: 67.25h x 13.50w
 INSIDE DIM'S. 5A: SEE PARTITION INTERIOR VIEW
 INSIDE/OUTSIDE STORAGE WITH (3) ADJUSTABLE SHELVES
 INSIDE DIM'S. 5B: 19.75h x 16.75w x 18.50d

THIS DRAWING IS FOR REPRESENTATIONAL PURPOSES ONLY. DETAILS ARE CONCEPTUAL AND ARE SUBJECT TO CHANGE DURING DESIGN AND CONSTRUCTION DIMENSIONS ARE APPROXIMATE UNLESS NOTED OTHERWISE TO MEET A SPECIFIC CUSTOMER NEED.

BRAUN
 LIBERTY

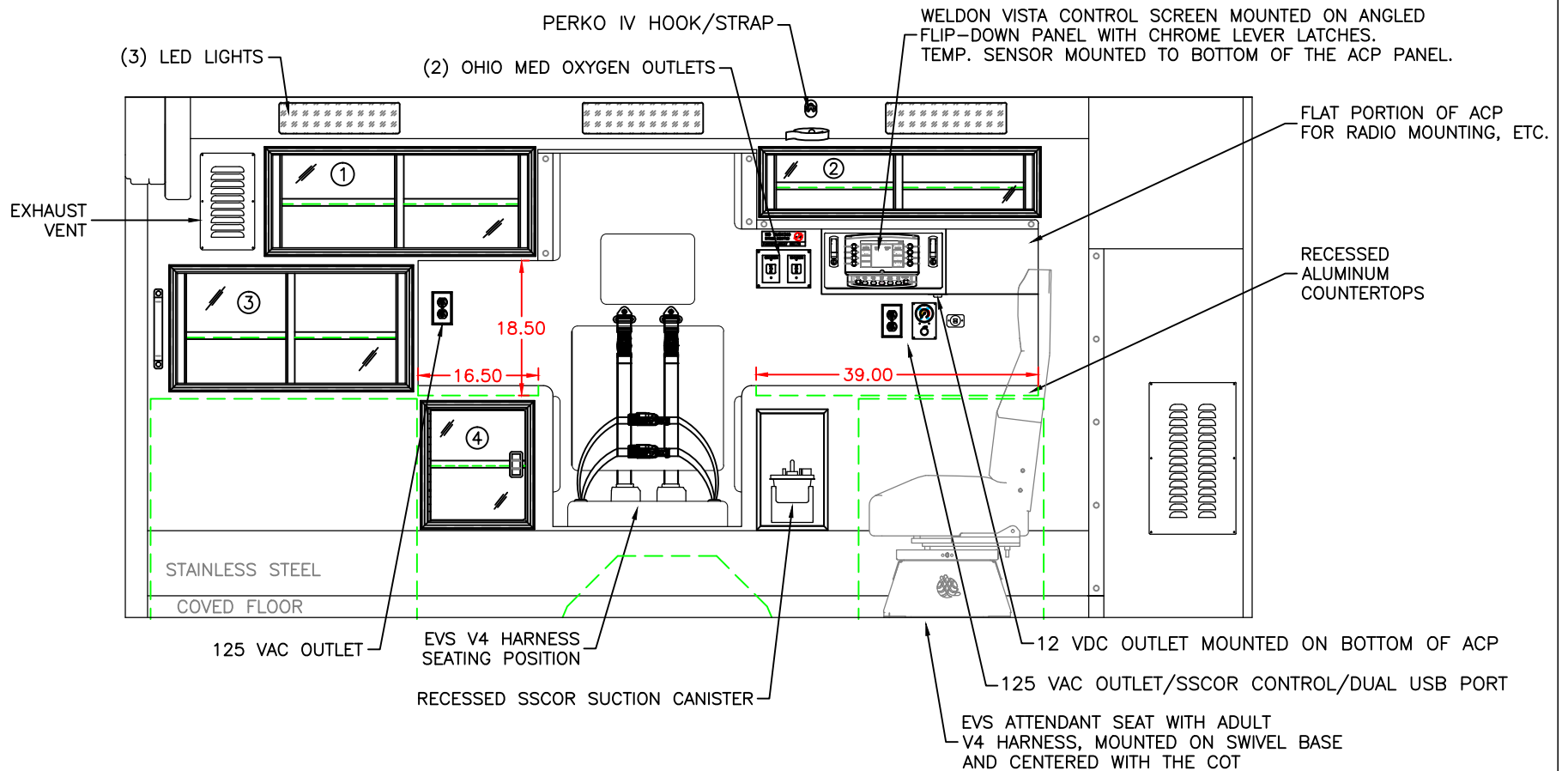


2019 CURBSIDE EXTERIOR VIEW
 LIBERTY TYPE-I/INTERNATIONAL CV4500-CV5500 CHASSIS

DATE:
 1-18-19
 DWG.
 AAB

REV.
 NR

DRAWING NO.
 LIBERTY-4



COMPARTMENT

#1 DOOR OPENING: 12.75h x 35.25w
 INSIDE DIMS: 14.25h x 36.75w x 18.25d
 (1) ADJUSTABLE SHELF
 SLIDING POLYCARBONATE DOORS
 TOTAL CABINET WEIGHT RATING = 25 lbs.

#2 DOOR OPENING: 7.50h x 36.75w
 INSIDE DIMS: 9.00h x 38.25w x 18.25d
 (1) ADJUSTABLE SHELF
 SLIDING POLYCARBONATE DOORS
 TOTAL CABINET WEIGHT RATING = 15 lbs.

#3 DOOR OPENING: 15.25h x 31.50w
 INSIDE DIMS: 16.75h x 33.00w x 18.25d
 (1) ADJUSTABLE SHELF
 SLIDING POLYCARBONATE DOORS
 TOTAL CABINET WEIGHT RATING = 25 lbs.

#4 DOOR OPENING: 15.50h x 13.50w
 INSIDE DIMS: 17.00h x 15.00w x 18.25d
 (1) ADJUSTABLE SHELF
 LEFT HINGED POLYCARBONATE DOOR
 CENTER SQUEEZE LATCH
 TOTAL CABINET WEIGHT RATING = 15 lbs.

CABINETS TO BE ALUMINUM

THIS DRAWING IS FOR REPRESENTATIONAL PURPOSES ONLY. DETAILS ARE CONCEPTUAL AND ARE SUBJECT TO CHANGE DURING DESIGN AND CONSTRUCTION DIMENSIONS ARE APPROXIMATE UNLESS NOTED OTHERWISE TO MEET A SPECIFIC CUSTOMER NEED.

BRAUN
LIBERTY



2019 STREETSIDE INTERIOR VIEW
 BRAUN LIBERTY TYPE-I

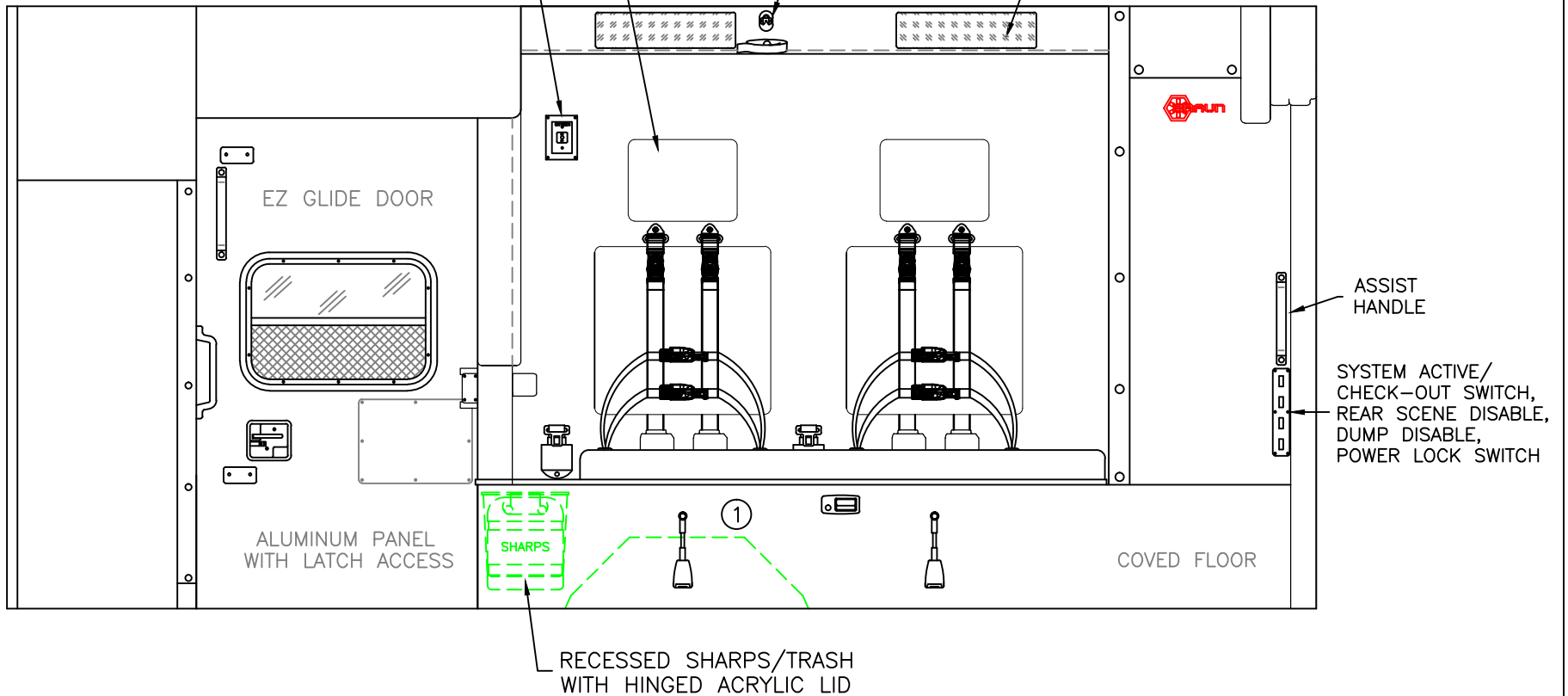
DATE: 1-18-19		DRAWING NO.	
DWG. AAB	REV. NR	LIBERTY-5	

(2) EVS V4 HARNESS SEATING POSITIONS. RETRACTORS INSTALLED FOR SECOND PATIENT TRANSPORT.

(1) OHIO MED OXYGEN OUTLET

PERKO IV HOOK/STRAP

(2) LED LIGHTS



#1 INSIDE DIM'S.: 14.50h x 74.75w x 20.00d

CABINETS TO BE ALUMINUM

THIS DRAWING IS FOR REPRESENTATIONAL PURPOSES ONLY. DETAILS ARE CONCEPTUAL AND ARE SUBJECT TO CHANGE DURING DESIGN AND CONSTRUCTION DIMENSIONS ARE APPROXIMATE UNLESS NOTED OTHERWISE TO MEET A SPECIFIC CUSTOMER NEED.

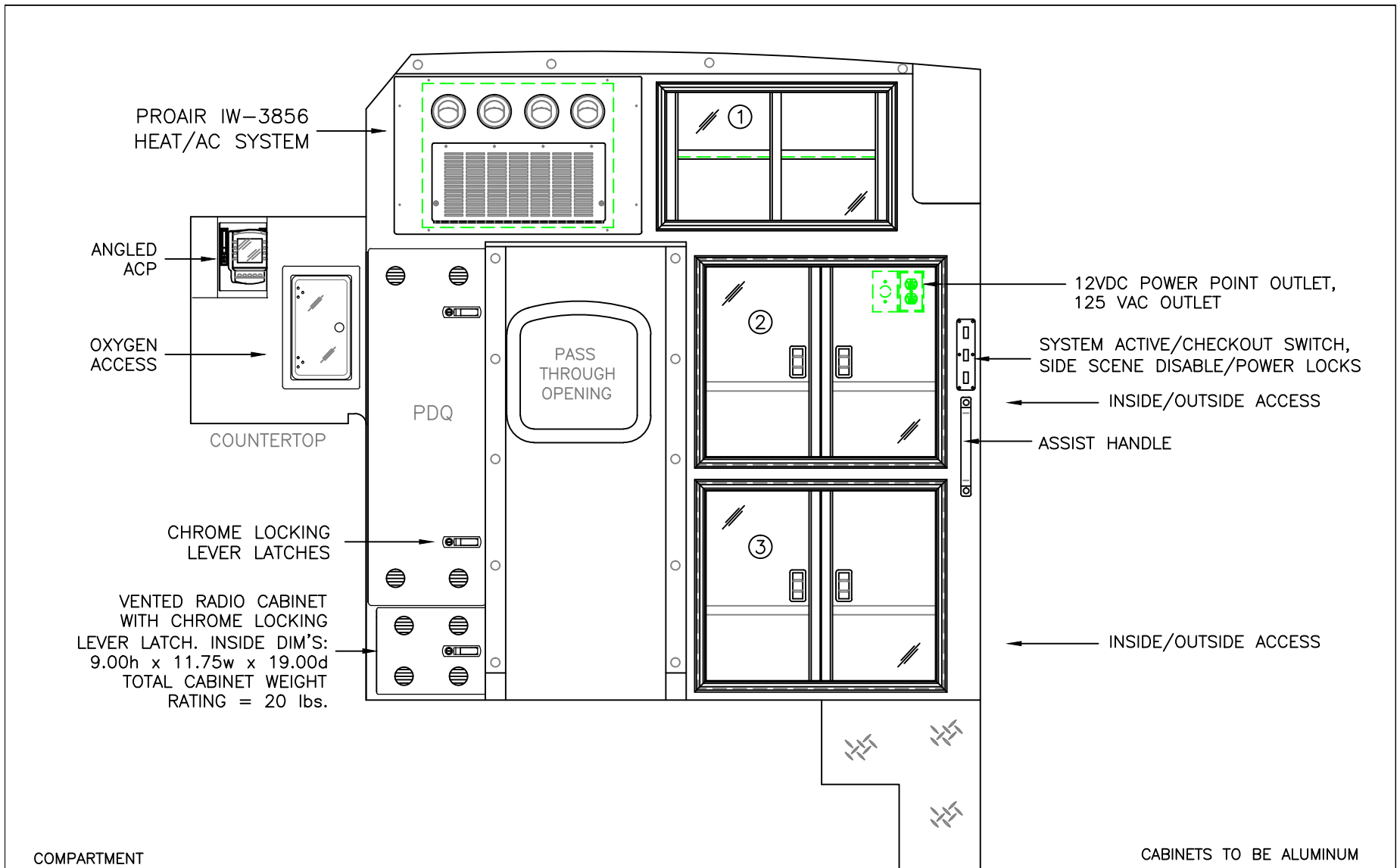
BRAUN
LIBERTY



2019 CURBSIDE INTERIOR VIEW
BRAUN LIBERTY TYPE-I

DATE:
8-3-18
DWG.
AAB

DRAWING NO.
LIBERTY-6
REV.
NR



CABINETS TO BE ALUMINUM

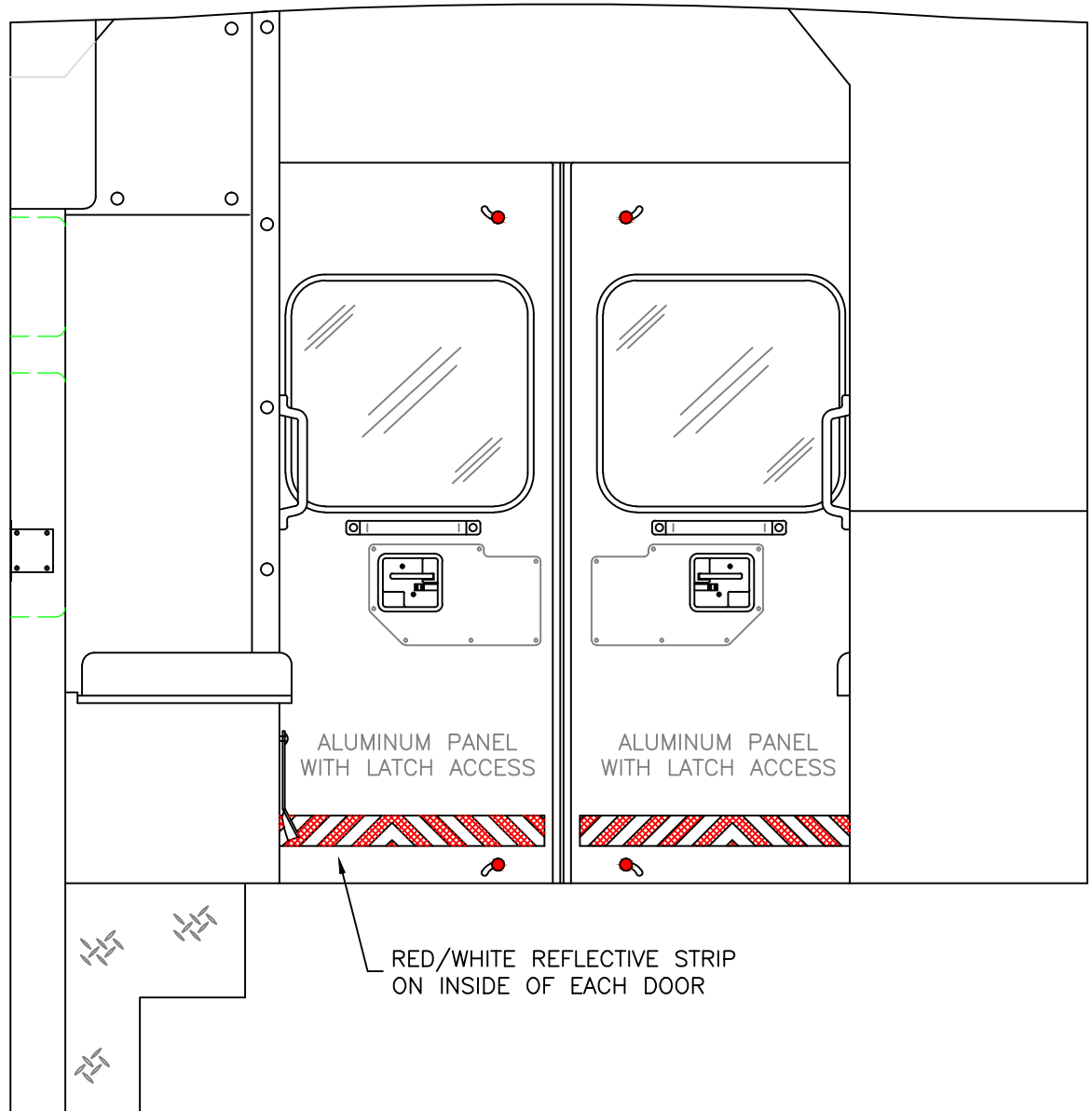
COMPARTMENT

#1 DOOR OPENING: 14.25h x 24.50w
 INSIDE DIMS: 16.00h x 26.25w x 16.00d
 (1) ADJUSTABLE SHELF
 SLIDING POLYCARBONATE DOORS
 TOTAL CABINET WEIGHT RATING = 25 lbs.

#2 & #3 DOOR OPENINGS: 21.25h x 25.75w
 INSIDE DIMS: 24.75h x 31.50w x 17.75d
 HINGED POLYCARBONATE DOORS WITH FULL LENGTH HANDLES
 CENTER SQUEEZE LATCHES
 (1) ADJUSTABLE SHELF PER COMPARTMENT
 TOTAL CABINET WEIGHT RATING = 60 lbs. EACH

THIS DRAWING IS FOR REPRESENTATIONAL PURPOSES ONLY. DETAILS ARE CONCEPTUAL AND ARE SUBJECT TO CHANGE DURING DESIGN AND CONSTRUCTION
 DIMENSIONS ARE APPROXIMATE UNLESS NOTED OTHERWISE TO MEET A SPECIFIC CUSTOMER NEED.

BRAUN LIBERTY		2019 PARTITION INTERIOR VIEW BRAUN LIBERTY TYPE-I		DATE:	DRAWING NO.
				1-18-19	LIBERTY-7
				DWG.:	REV.:
				AAB	NR



ALUMINUM PANEL WITH LATCH ACCESS

ALUMINUM PANEL WITH LATCH ACCESS

RED/WHITE REFLECTIVE STRIP ON INSIDE OF EACH DOOR

THIS DRAWING IS FOR REPRESENTATIONAL PURPOSES ONLY. DETAILS ARE CONCEPTUAL AND ARE SUBJECT TO CHANGE DURING DESIGN AND CONSTRUCTION DIMENSIONS ARE APPROXIMATE UNLESS NOTED OTHERWISE TO MEET A SPECIFIC CUSTOMER NEED.

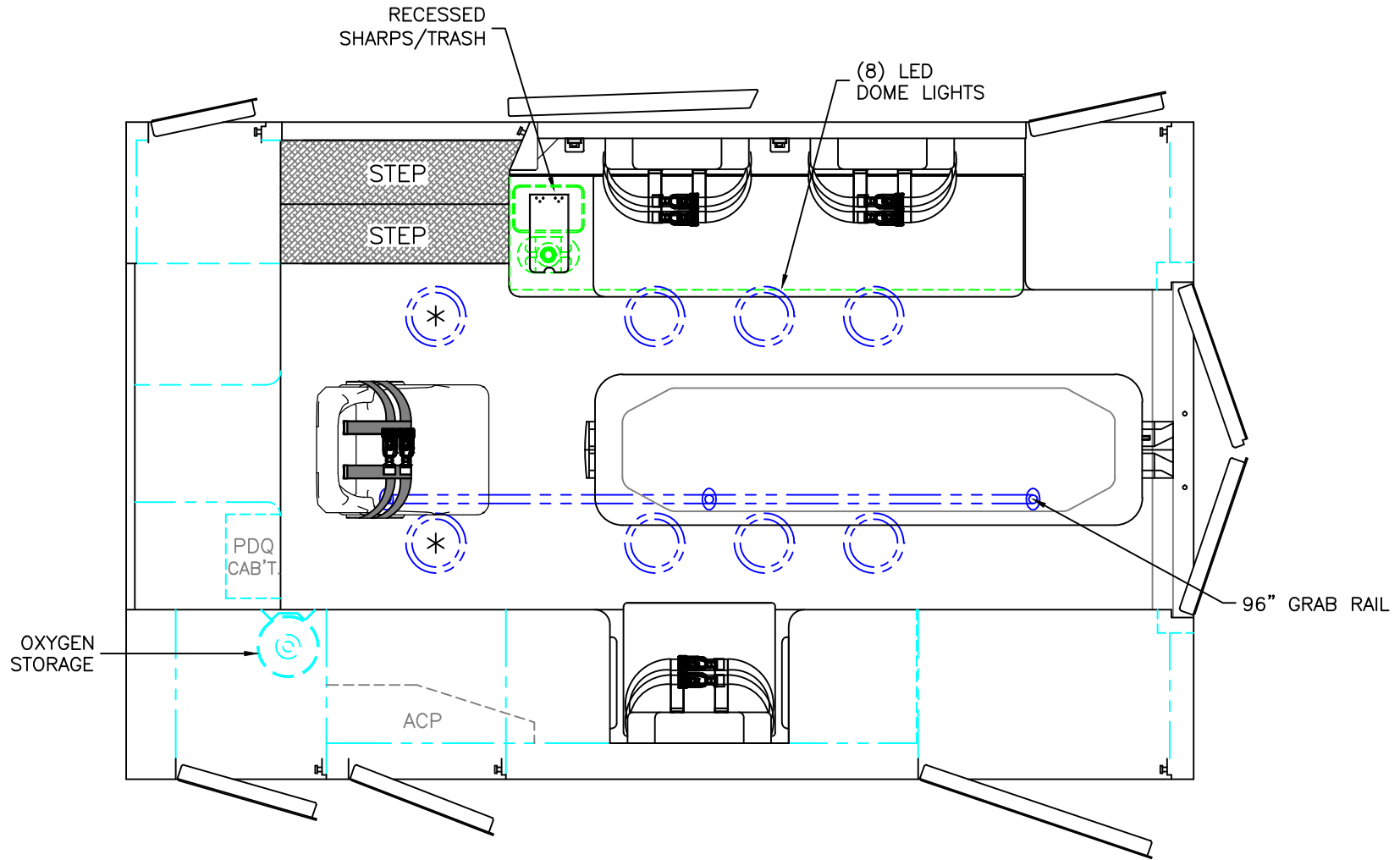
BRAUN
LIBERTY



2019 REAR INTERIOR VIEW
BRAUN LIBERTY TYPE-I

DATE:	1-18-19
DWG.	AAB
REV.	NR

DRAWING NO.
LIBERTY-8



* (2) ANTENNA BASES LOCATED OUTBOARD OF DOME LIGHTS WITH COAX SERVICE LOOP

86" FERNO STAT-TRAC CENTER MOUNT COT HARDWARE

MODULE WIDTH = 96"

MODULE LENGTH = 156"

MODULE HEAD ROOM = 72"

THIS DRAWING IS FOR REPRESENTATIONAL PURPOSES ONLY. DETAILS ARE CONCEPTUAL AND ARE SUBJECT TO CHANGE DURING DESIGN AND CONSTRUCTION DIMENSIONS ARE APPROXIMATE UNLESS NOTED OTHERWISE TO MEET A SPECIFIC CUSTOMER NEED.

BRAUN
LIBERTY



2019 FLOOR INTERIOR VIEW
BRAUN LIBERTY TYPE-I

DATE:	1-18-19
DWG.	AAB
REV.	NR

DRAWING NO.	LIBERTY-9
-------------	-----------