

(1) WHELEN PIONEER P#1HP L.E.D. TIP LIGHT AND
(1) WHELEN MP# MICRO PIONEER L.E.D. TRACKING LIGHT EACH SIDE

(2) WHELEN FREEDOM 1V 21.50" L.E.D. LIGHTBARS
(2) WHELEN PIONEER P#H2 L.E.D. VISOR LIGHTS

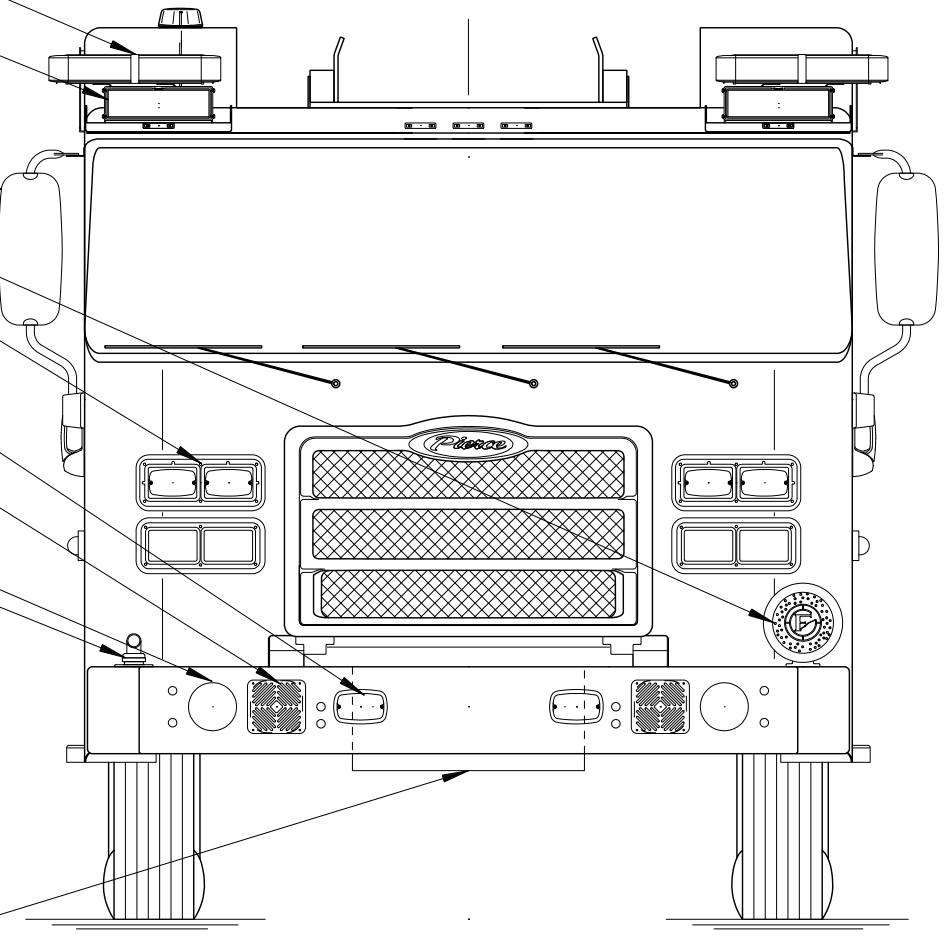
RETRACT HEATED/REMOTE CONTROL MIRRORS WITH CONVEX SECTION

(1) FEDERAL Q28 SIREN
(2) WHELEN M6 L.E.D. WARNING LIGHTS MOUNTED IN A COMMON BEZEL EACH SIDE

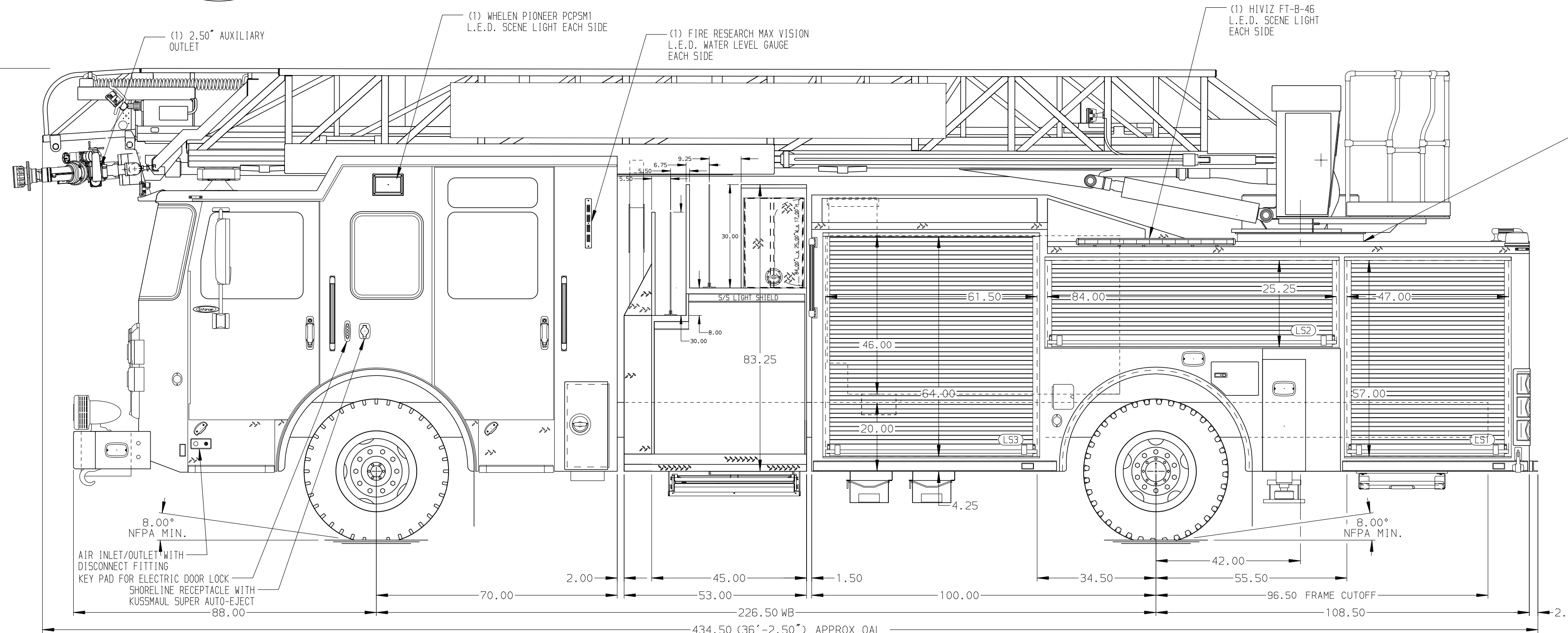
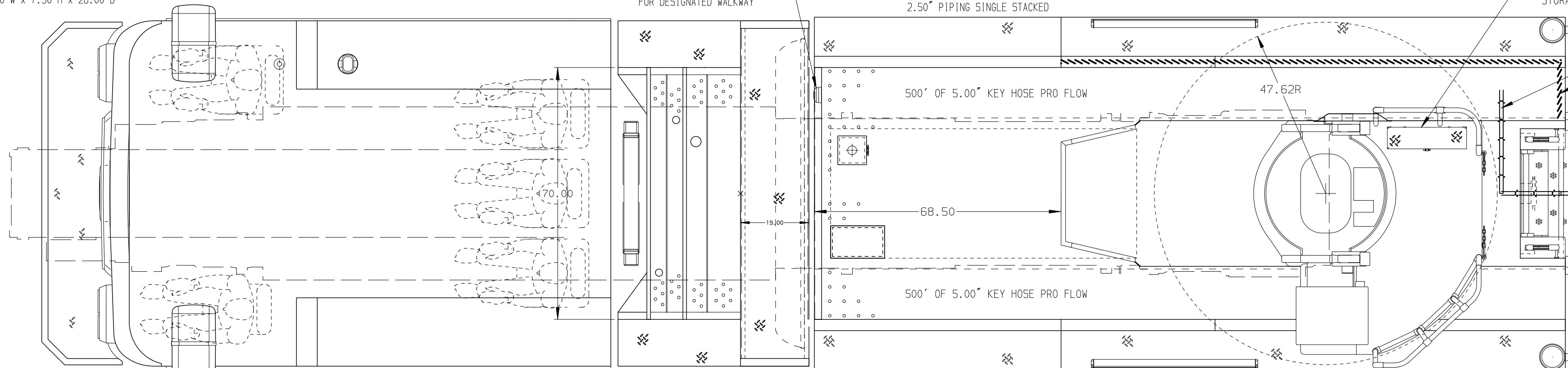
(2) WHELEN M6 L.E.D. WARNING LIGHTS
(2) WHELEN M6 L.E.D. WARNING LIGHTS EACH SIDE

(2) WHELEN SA31SP SPEAKERS WITH STAINLESS STEEL GRILLES
(2) HADLEY AIR HORNS
(1) 1.50" OUTLET WITH 2.00" PIPING AND SWIVEL

SURFACE DESIGNATION AND PATHWAY MARKINGS
CENTER HOSE TRAY FOR 125' OF 1.75" HOSE



BODY	WATER TANK
75' HAL Aluminum Body	475 Gallon Poly Water Tank
COMPT, LEFT SIDE FRONT	Foam System
Full Height RollUp Forward	Foam Pro 1601 Single Agent Foam System
COMPT, LEFT SIDE REAR	Foam Cell
Full Height RollUp Rearward	25 Gallon Foam Cell, Reduced Water
COMPT, RIGHT SIDE FRONT	
Full Height RollUp Forward	
COMPT, RIGHT SIDE REAR	
Full Height RollUp Rearward	



ALUMINUM 4-WAY AERIAL ROTATION BEARING COVER

WHELEN TALES L.E.D. TRAFFIC DIRECTING LIGHT IN ALUMINUM TREADPLATE BOX
(2) WHELEN L31HRFN L.E.D. WARNING LIGHTS

(2) WHELEN PIONEER P#P1 L.E.D. SCENE LIGHTS

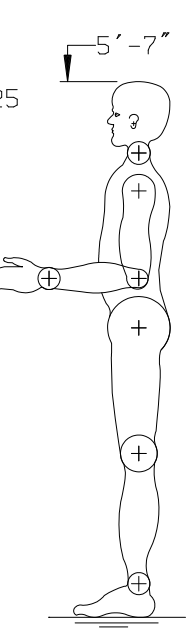
LONG ITEM STORAGE (1) 24" 2-SEC 900
(2) 16" ROOF BYTS
PIERCE BACK UP CAMERA
HOSE BED LIGHT SWITCH
REAR SCENE LIGHT SWITCH

ELECTRIC STABILIZER CONTROLS WITH DOOR EACH SIDE

(2) WHELEN M6 L.E.D. WARNING LIGHTS
(2) WRAP AROUND L.E.D. LIGHT SETS WITH STOP/TAIL, DIRECTIONAL AND BACKUP LIGHTS IN A COMMON BEZEL

5.00" AERIAL INLET

LONG ITEM STORAGE
(1) 35' 3-SEC 1225
(1) 10' FOLDING 585
(5) PIKE POLES



CHASSIS	CAB	AXLE, FRONT, CUSTOM	TRANSMISSION	PUMPHOUSE	CROSSLAYS, 1.50"	SPEEDLAYS	SAFETY
Enforcer Chassis	7010 Notched Enforcer Cab	20,000 Lb Dana Axle	Allison 6th Gen, 4500 EV5 P	45" Control Zone Side Mount	(2) 1.50" Std Cap.-Single Stack	Speedlays Not Required	Side Roll and
ENGINE	BUMPER	AXLE, REAR		PUMP	CROSSLAYS, 2.50"	GENERATOR	Frontal Impact Protection
500 HP Cummins X12 Engine	19" Extended Painted Steel	33,500 Lb Meritor Axle		2000 GPM Waterous CSU	(1) 2.50" Standard Capacity	Generator Not Required	

NOTE							
DIMENSIONS SHOWN ARE APPROXIMATE AND ARE SUBJECT TO MINOR DEVIATIONS AS MAY OCCUR OR BE NECESSARY IN CONSTRUCTION. MINOR DETAILS NOT SHOWN.	1. BATTERY CHARGER LOCATED BEHIND THE DRIVER'S SEAT	11. AERIAL PEDESTAL RAISED 1.50"					
	2. BATTERY CHARGER INDICATOR LOCATED ON DRIVER'S SEAT RISER	12. AERIAL LIMITED RETRACTION NOT REQUIRED					
	3. DUAL L.E.D. LIGHT STRIPS LOCATED IN HOSE BED	13. 1500 GPM HIGH FLOW WATERWAY					
	4. FOUR ADJUSTABLE FULL WIDTH/FULL DEPTH SHELVES IN COMPARTMENT PER ORDER	14. 2-WAY INTERCOM SYSTEM BETWEEN AERIAL TIP OR PLATFORM AND TURNABLE					
	5. FOUR FLOOR MOUNTED SLIDE-OUT TRAYS IN COMPARTMENT PER ORDER						
	6. ONE CTECH DRAWER ASSEMBLY IN COMPARTMENT PER ORDER						
	7. ALUMINUM TREADPLATE ON THE FLOOR OF COMPARTMENTS PER ORDER						
	8. TWO ZIOMATIC SCBA HOLDER BRACKETS LOCATED IN COMPARTMENTS PER ORDER						
	9. PAC TRAC ON BACK WALL OF COMPARTMENTS PER ORDER						
	10. TWO TRIDENT FOLDING STEPS ON AERIAL DEVICE PER ORDER						

Pierce MANUFACTURING INC.		JOB NO.	38497
TITLE	75 AERIAL LADDER AND BODY ASSEMBLY	SCALE	1:24
FOR	GALVESTON FIRE DEPARTMENT GALVESTON, TX	DATE	08AUG22
DWG NO.	38497AD	CHECKED BY	ZCH
		SHEET SIZE	D
		SHEET NO.	1 OF 1

REV	DATE	BY	CH
14DEC22	LWE	-	